



浙江马尔风机有限公司
ZHEJIANG MAER FAN MOTOR CO.,LTD.

杭州马尔微电机有限公司
HANGZHOU MAER MICRO-MOTOR CO.,LTD.

地址 Add: 浙江省海宁市长安镇创业路333号
NO. 333 Chuangye Road, Chang'an Town, Haining City, Zhejiang, China
邮编 P.C.: 314408
电话 Tel: +86 573 87961785 87961786
传真 Fax: +86 573 87123938 87961787
网址 Website: www.zjmaerfj.com
邮箱 E-mail: sales@maerfj.com



浙江亿利达风机股份有限公司
ZHEJIANG YILIDA VENTILATOR CO., LTD.

地址 Add: 中国浙江台州市路桥区横街亿利达路
Yilida Road, Hengjie, Luqiao District, Taizhou City, Zhejiang, China
邮编 P.C.: 318056
电话 Tel: +86 576 82656000 +86 576 82658900
传真 Fax: +86 576 82655758
网址 Website: www.yilida.com
邮箱 E-mail: info@yilida.com
全球服务热线 Hot Line: 400 1135 666
国际贸易 Global Trade: +86 576 82622666



MaEr Fan Motor

Professional · Honest · Human Oriented

AC FAN AC风机系列 CATALOG III



亿利达股份成员企业 MEMBER OF YILIDA GROUP
浙江马尔风机有限公司 杭州马尔微电机有限公司
ZHEJIANG MAER FAN MOTOR CO., LTD. HANGZHOU MAER MICRO-MOTOR CO., LTD.



MaEr Fan Motor

Professional · Honest · Human Oriented



MaEr Fan Motor

Professional · Honest · Human Oriented



AC外转子轴流风机系列
AC AXIAL FAN

05



AC罩极电机系列
SHADED POLE MOTOR

94



AC外转子离心风机系列
AC CENTRIFUGAL FAN

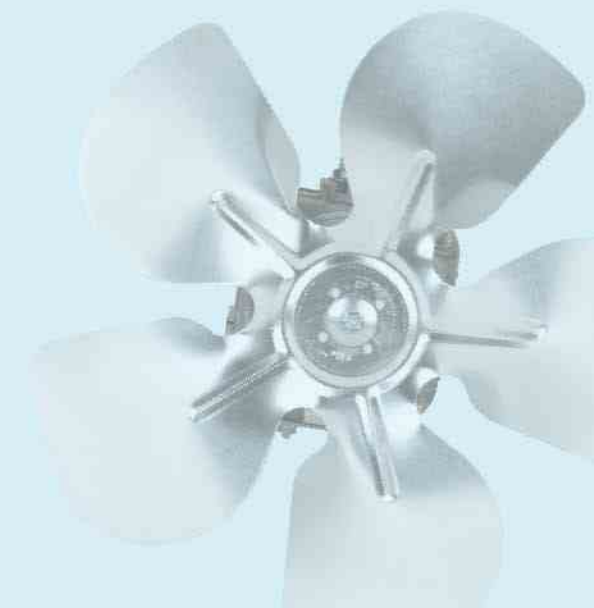
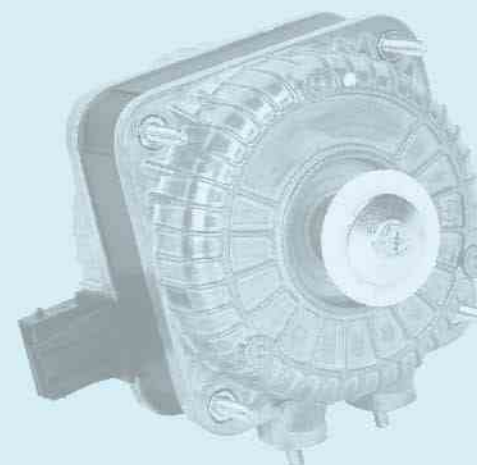
98



AC外转子带蜗壳前倾离心风机
AC FORWARD HOUSED CENTRIFUGAL FAN

122

CATALOG / 目录



AC外转子轴流风机系列 AC Axial fan AC罩极电机系列 Shaded pole motor AC外转子离心风机系列 AC CENTRIFUGAL FAN

AC Axial fan AC罩极电机系列 Shaded pole motor AC外转子离心风机系列 AC CENTRIFUGAL FAN AC外转子

AC罩极电机系列 Shaded pole motor AC外转子离心风机系列 AC CENTRIFUGAL FAN AC外转子带蜗壳前倾离心风机

Shaded pole motor AC外转子离心风机系列 AC CENTRIFUGAL FAN AC外转子带蜗壳前倾离心风机 AC FORWARD HOUSE

AC外转子离心风机系列 AC CENTRIFUGAL FAN AC外转子带蜗壳前倾离心风机 AC FORWARD HOUSED CENTRIFUGAL FAN

COMPANY INTRODUCTION 公司简介

Zhejiang MaEr Fan Motor Co., Ltd., formerly known as Hangzhou MaEr Micro Motor Co., Ltd., is located in Chang'an Town, Haining City, Zhejiang Province, adjacent to the Haining West High-speed Railway Station, and nearby Shanghai-Hangzhou Expressway Chang'an Exit. Founded in 1995, Zhejiang MaEr Fan Motor Co., Ltd., has specialized in manufacturing external-rotor motor fans for approximately 25 years. The YWF series external rotor motor produced by the company has three-phase motor (S type), single-phase capacitor running motor (D type), shaded pole motor, energy-saving EC fan and motor. The rated motor speed is between 500r/min and 3000r/min, while the output power range is between 5w and 3000w, widely used in centrifugal fans and axial fans. With advantages of compact structure, high efficiency, low noise, beautiful appearance, convenient installation and stable operation, The YWF series external rotor axial fans are available in various specifications ranging from Ø175 to Ø900, Which are widely applied in the mechanical equipment, refrigeration equipment and household appliance manufacturing industries.

With the concept of green, environmental protection and low carbon oriented, the company has put into production of a new generation energy-saving motors, fans and EC series. This series applies brushless DC motor drive, which enables the motor higher working efficiency, better speed regulation performance, more safe and reliable speed control, and provides users with more options.

Based on sound quality assurance system and strict quality management measures, the company has achieved the approval of ISO9001:2008 quality management system certification.

In July 2014, Zhejiang MaEr Fan Motor Co., Ltd., successfully entered into joint venture with Zhejiang YILIDA CO.,Ltd., and became a holding subsidiary of Zhejiang YILIDA Group.

Relying on technology as the guidance, quality as the ultimate target, excellent products and good service, Zhejiang MaEr Fan Motor Co., Ltd., is expecting to create the brilliancy together with all new and old clients!



浙江马尔风机有限公司，前身是杭州马尔微电机有限公司，公司坐落于浙江省海宁市长安镇，毗邻高铁海宁西站，沪杭高速长安出口，成立于1995年，有25年生产外转子电机，风机的经验。公司生产的YWF系列外转子电机，有三相电机(S型)，单相电容运转电机(D型)，罩极电机，节能型EC风机、电机。电机额定转速从500r/min到3000r/min，输出功率范围5w到3000w，广泛用于离心风机和轴流风机上，公司生产的YWF系列外转子轴流风机的规格从Ø175到Ø900之间的各种规格，产品具有结构紧凑，效率高，噪音低，外形美观，安装方便，产品运行稳定等优点，广泛应用于机械设备，制冷设备及家用电器制造行业中。

公司以绿色，环保，低碳为理念，投产了新一代节能电机，风机，EC系列。该系列应用无刷直流电机驱动，使风机具有更高的工作效率，良好的调速性能，安全可靠的速度控制方法，为用户提供更大的选择余地。

公司生产的电机，风机系列产品获省，市检查优质称号，通过了CCC、CE认证，并取得了全国工业产品生产许可证。

公司通过了ISO9001:2008质量管理体系认证，有完善的质量保证体系和严格的质量保障措施。

公司于2014年7月与浙江亿利达风机股份有限公司合资成功，成为亿利达集团的控股子公司。

公司凭借着以技术为先导，质量为本的宗旨，愿以优秀的产品，良好的服务，与新老客户一起共创辉煌。



BUSINESS NET



- 🌐 **South America:**
 - 🇧🇷 Brazil
 - 🇨🇱 Chile
 - 🇨🇴 Colombia
 - 🇪🇨 Ecuador
 - 🇦🇷 Argentina
- 🌐 **Europe:**
 - 🇬🇧 Britain
 - 🇩🇪 Germany
 - 🇮🇹 Italy
 - 🇲🇹 Malta
 - 🇷🇺 Russia
 - 🇪🇸 Spain
 - 🇺🇦 Ukraine
 - 🇫🇷 France
- 🌐 **Africa:**
 - 🇪🇬 Egypt
 - 🇿🇦 South Africa
- 🌐 **Asia:**
 - 🇧🇭 Bahrain
 - 🇮🇳 India
 - 🇮🇩 Indonesia
 - 🇮🇱 Israel
 - 🇯🇴 Jordan
 - 🇰🇿 Kazakhstan
 - 🇰🇼 Kuwait
 - 🇸🇰 South Korea
 - 🇱🇧 Lebanon
 - 🇲🇾 Malaysia
 - 🇲🇳 Mongolia
 - 🇵🇰 Pakistan
 - 🇸🇦 Saudi Arabia
 - 🇹🇦 Thailand
 - 🇹🇷 Turkey
- 🌐 **Oceania:**
 - 🇦🇺 Australia



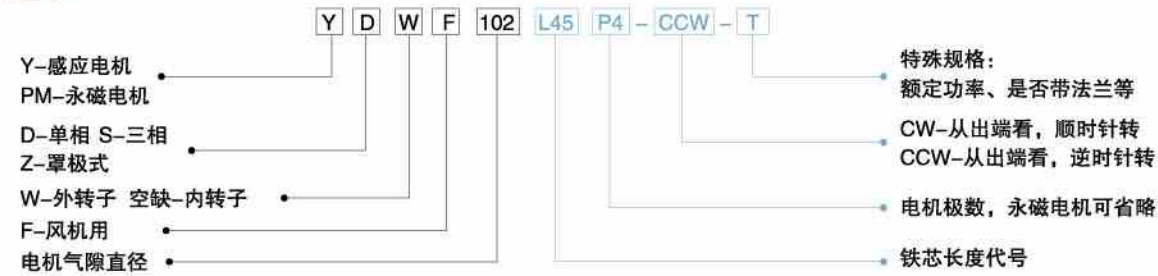
MaEr Fan Motor

Professional · Honest · Human Oriented

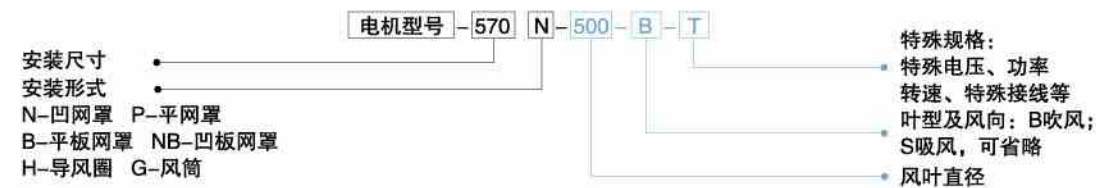


产品介绍

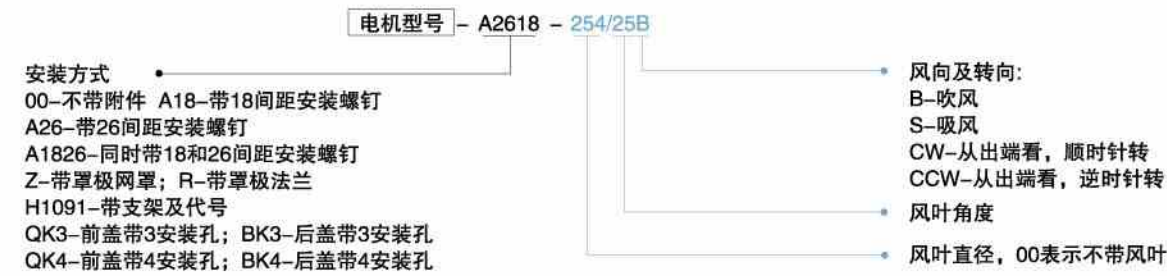
一、电机型号



二、外转子轴流风机型号



三、罩极式电机



四、电压

单相风机和380V/50Hz三相风机允许工作电压范围为±5%，400V/50Hz三相风机允许工作电压范围为±10%，三相60Hz风机允许工作电压范围为-10%~+20%。

五、风向

轴流风机常规产品为吸风式：空气从风叶经网罩流出。

六、风量曲线

按照GB/T 1236 (IDT ISO 5801)，采用A型风室吸气试验装置，风机运用马尔导风圈并不带防护测得，换算到标准大气压20℃时的性能，所标压力为叶轮静压psf。使用时，静压勿大于对应曲线末端。

七、性能参数

参数表所列参数，为风量曲线测试结果中最高静压效率时的参数，该静压参数下风机在规定的环境温度（热交换空气温度）下长时间运行，若其能效值N>=40，表明该规格风机能效已达到ERP2015；未注能效值N，表明该规格风机无需考核ERP2015。噪声为自由状态时风机出口（45°）1米处的实测值。在非标称电压下，运行参数会略有偏差，以规格书为准。

八、单相电机内均安装有热保护器，其动作温度为B级—130±5℃，F级—150±5℃。三相电机若需安装热保护器，订货时应说明。

九、当客户需对外转子电机进行抽头调速时，为保证低速档的滑差性能要求，高速档的转速和风量相对于常规产品会有所调低。

十、常规产品引出线长度为0.8~1米，特殊长度及装接线盒需特殊说明。

十一、冷风机电机需经特殊工艺处理，以适应低温潮湿环境工作，订货时需说明。

十二、所提供图片和尺寸仅供参考，具体以马尔样机和规格书为准。

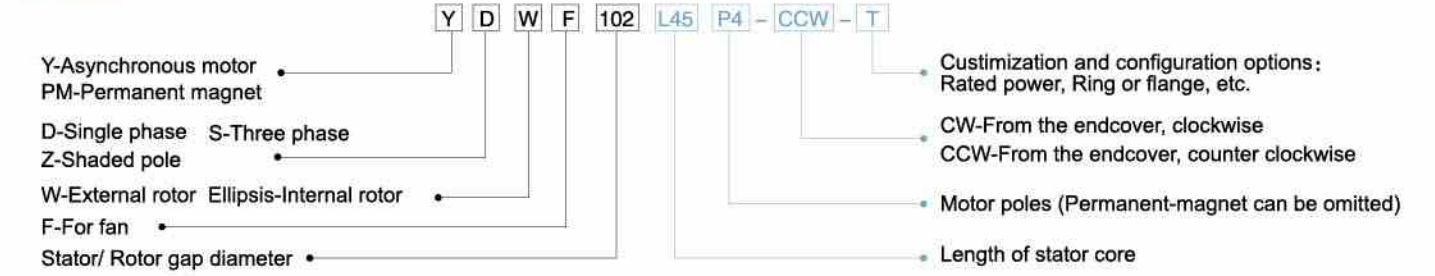
MaEr Fan Motor

Professional · Honest · Human Oriented

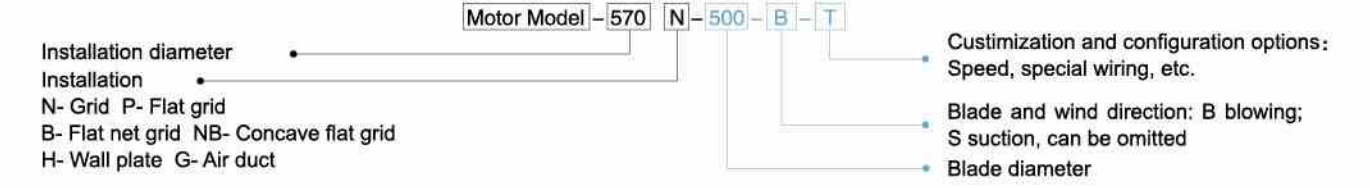


PRODUCT INTRODUCTION

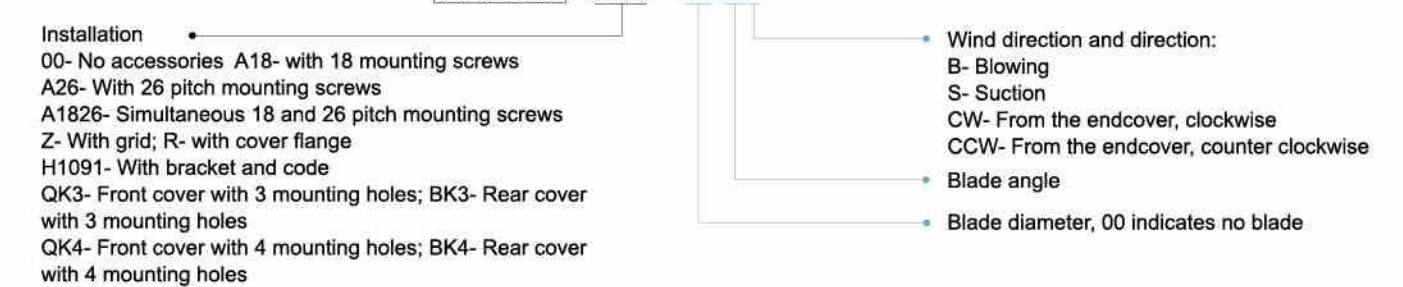
I. Motor



II. Axial fan model



III. Shaded pole motor



IV. Voltage

The allowed working voltage fluctuation range for single phase fan and 380v/50Hz three phase fan is ±5%，while ±10% for 400v/50Hz three phase fan; the allowed working voltage fluctuation range for 60Hz fan is from -10% to +20%.

V. Airflow derrection

The regular product for axial fan is suction type: air flows from the blade through the grid.

VI. Airflow curve

According to GB/T 1236(IDT ISO 5801) and using A type wind roon air suction test device. The airflow curve is measured by MaEr wall plate without guard, calculating the performance value under standard atmosphere 20℃. The value here is the impeller static pressure psf. The static pressure should not be higher than the curve end during application.

VII. Performance parameter

The listed parameter is measured at the highest static pressure efficiency, when the fan is able to fun for long time under regulated environment temperature. If the energy efficiency value ≥ 40, then the energy efficiency for the fan is ErP 2015. If N is not mentioned, it means this type of fan has no request on ErP 2015. The noise is measured at one meter place from the fan outlet (45°) when it runs freely. But error happens under irregular voltage please refer to the specification.

VIII. Single phase motor is usually equipped with a thermal protector, the operating temperature is level B-130±5℃, level F-150±5℃. If you need to install thermal protector for three phase motor, please specify.

IX. When the client needs to do tapping speed-regulation to the external rotor motor, the max. rotation speed and airflow volume shall be reduced compared with regular products to meet the low speed slip differential performance requirements.

X. The length of the lead wire for regular products is 0.8~1m, special requests on the length and junction box shall be specified.

XI. The cold air blower motor must be processed by special technology to adapt to the low temperature and humidity environment. Please specify when purchasing.

XII. The provided photos and dimensions are for reference only, please refer to the MaEr sample fan and specification for details.

MaEr Fan Motor

Professional · Honest · Human Oriented



特殊产品定货说明 | CUSTOMIZED OPTIONS

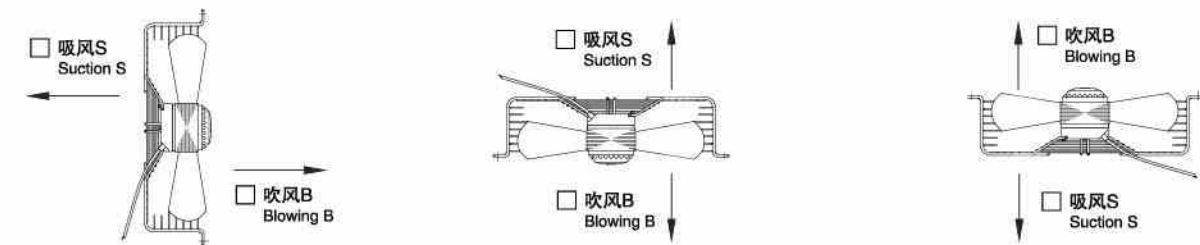
需方Customer: _____ 联系人Contactor: _____ 电话Tel: _____ E-mail: _____ 日期 Date: _____

一、客户提供资料 Information from customers

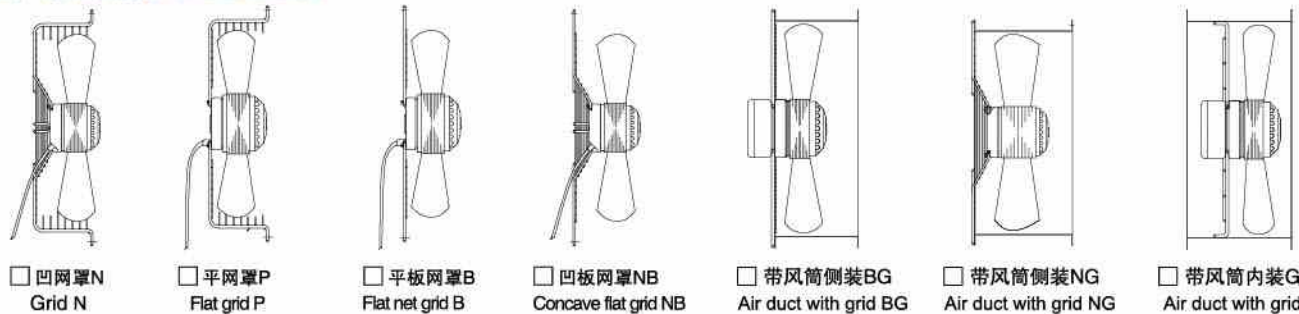
电压频率 Voltage frequency	1-单相 1- single phase	V	Hz	± %	3-三相 3- three phase	V	Hz	± %
		V	Hz	± %		V	Hz	± %
调速 Adjustable	□ 并头二速 Dual speed paralleling □ SCR调速 SCR speed	□ 抽头二速 Dual speed tapping	□ 抽头三速 Tri-speed tapping	□ 抽头三速 Tri-speed tapping	□ Y/Δ 调速 Y/Δ transform speed □ 变频 Frequency conversion	□ Y/Δ 双电压 Y/Δ dual voltage	□ 不调速 Constant speed	□ 不调速 Constant speed
性能要求 Performance requirement	□ 按参数要求 By parameter	pa	m³/h	r/min	W	能效要求: Energy requirement	□ 无要求 No requirement	□ 不调速 Constant speed
		pa	m³/h	r/min	W	□ ERP2015		
出线 Leading wire outlet	□ 带接线盒 Junction box □ 带引出线 Leading wire	m	m	曲线 Curve	□ 内置 Built-in	□ 外置 Built-out	□ 按附图曲线要求 Requirements according to curve	
					热保护器 Thermal Protector	□ 内置 Built-in	□ 外置 Built-out	空气温度℃ Air temperature℃
运行环境 Operating environment	□ 室内 Indoor □ 室外 Outdoor	□ 冷凝器 Condenser	□ 菌菇库 Mushroom fruiting house	□ 冷库 Refrigeration house	□ 冷干机 Air dryer	□ 空调室外机 Outdoor air conditioning	□ 其它 Other	

二、安装方式及风向 Installation and Air direction

- 垂直安装 Vertical installation 端盖向上安装 Upwards horizontal installation 端盖向下安装 Downwards horizontal installation

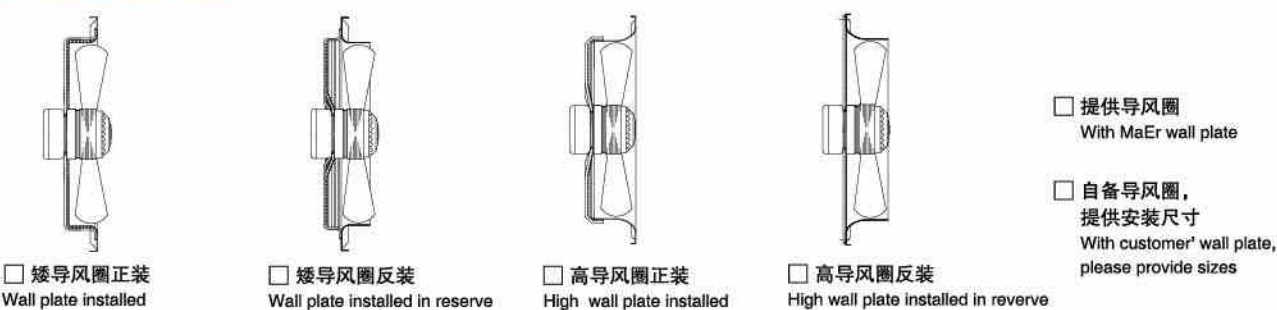


三、网罩和风筒 Grid and duct



- 凹网罩N Grid N 平网罩P Flat grid P 平板网罩B Flat net grid B 凹板网罩NB Concave flat grid NB 带风筒侧装BG Air duct with grid BG 带风筒侧装NG Air duct with grid NG 带风筒内装G Air duct with grid

四、导风圈 Wall plate



- 矮导风圈正装 Wall plate installed 矮导风圈反装 Wall plate installed in reserve 高导风圈正装 High wall plate installed 高导风圈反装 High wall plate installed in reserve
- 提供导风圈 With MaEr wall plate
 自备导风圈, 提供安装尺寸 With customer' wall plate, please provide sizes

五、其它 Others

附 _____ 页 Pages enclosed

本文档共 _____ 页 Totally _____ page

MaEr Fan Motor

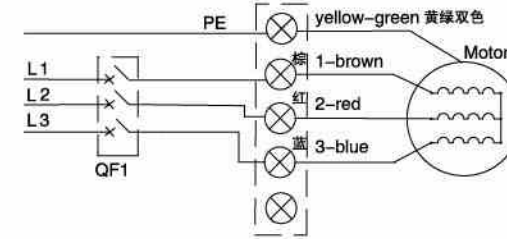
Professional · Honest · Human Oriented



接线图 | WIRING DIAGRAM

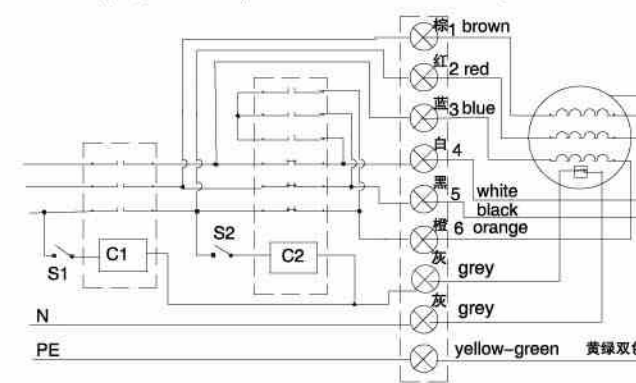
1、普通三相风机接线图

Wiring diagram for three phase motor common wiring, without TP



2、三相Y/Δ运行、带热保护器风机接线图

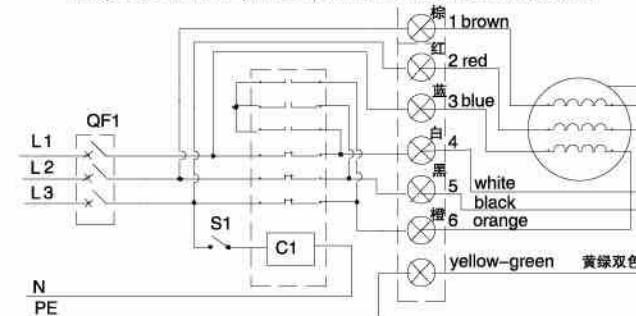
Wiring diagram for three phase motor with Y/Δ transformation, with TP



C1-运行控制接触器, S1接通, 风机运行。
C2-Y/Δ 运行控制接触器, S2断开, Δ 接法; S2接通, Y 接法。
C1- Contactor, fan runs when S1 ON.
C2- Y/Δ transformer, Δ circuit when S2 OFF; Y circuit when S2 ON.

3、三相Y/Δ运行、不带热保护器风机接线图

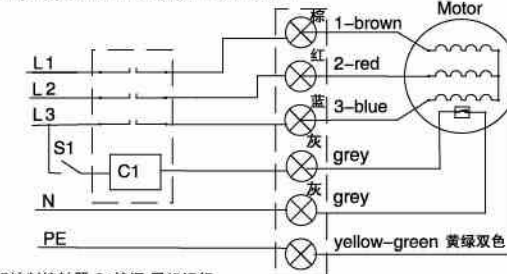
Wiring diagram for three phase motor with Y/Δ transformation, without TP.



QF1-运行控制空气开关, QF1接通, 风机运行。
C1-Y/Δ 运行控制接触器, S1断开, Δ 接法; S1接通, Y 接法。
QF1- Air circuit-breaker, fan runs when QF1 ON.
C1- Y/Δ transformer, Δ circuit when S1 OFF; Y circuit when S1 ON.

4、三相风机带热保护器风机接线图

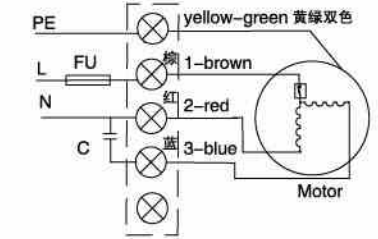
Wiring diagram for three phase motor with TP



C1-运行控制接触器, S1接通, 风机运行。
C1- Contactor, fan runs when S1 ON.

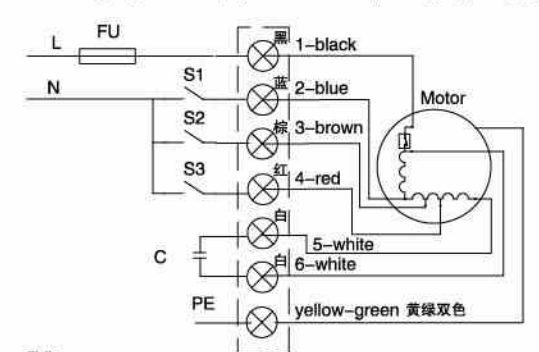
5、普通单相风机接线图

Wiring diagram for single phase motor common wiring



6、单相抽头调速风机接线图

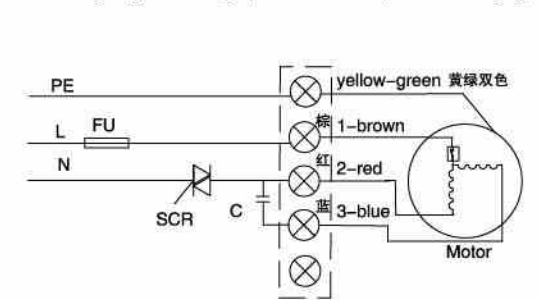
Wiring diagram for single phase motor with speed tapping changing



警告:
S1、S2、S3必须互锁, 每时只限于一只合上。
S1、S2、S3分别为高、中、低速档开关。电动机启动应由S1完成。
NOTICE:
S1, S2, S3 must be locked down by each other, each time only one switch can be turn ON.
S1, S2, S3 are switches for HIGH, MIDDLE and LOW speed each.
Motor running should be started from S1 ON circuit.

7、单相风机SCR调速接线图I

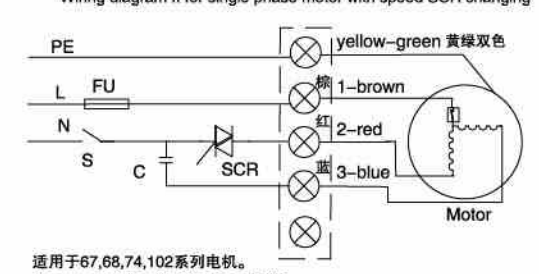
Wiring diagram I for single phase motor with speed SCR changing



仅适用于67、68、74系列电机。
Only for motor series 67, 68, 74.

8、单相风机SCR调速接线图II

Wiring diagram II for single phase motor with speed SCR changing



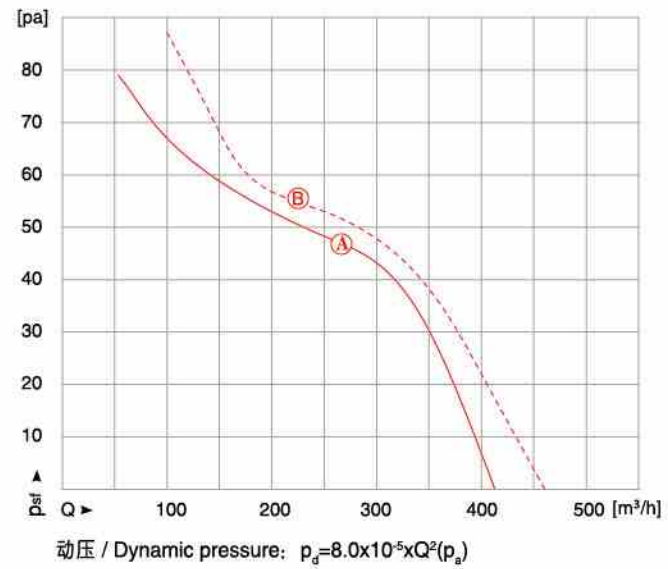
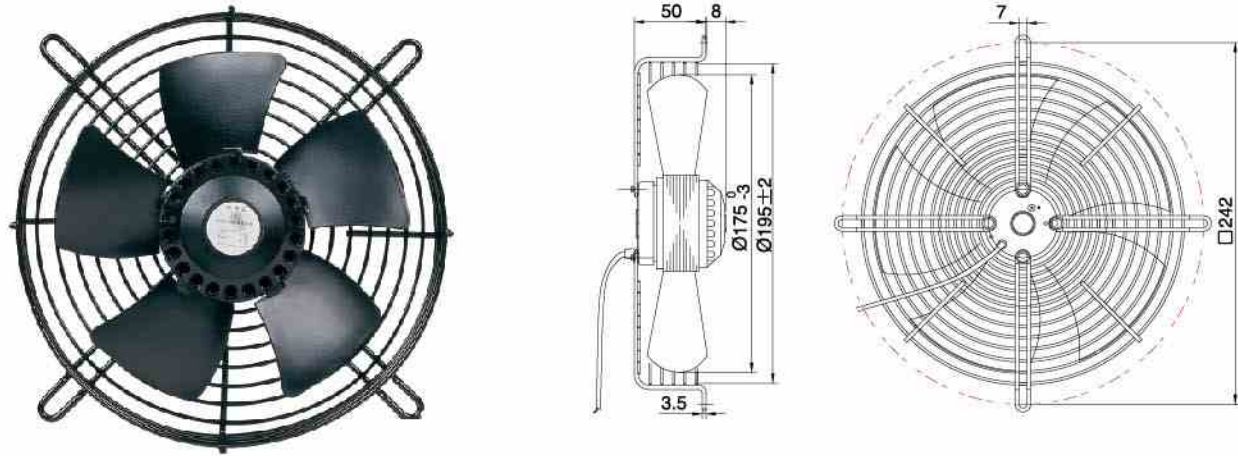
适用于67,68,74,102系列电机。
For motor series 67, 68, 74 and 102.

MaEr Fan Motor

Professional · Honest · Human Oriented



Ø 175 AC AXIAL FAN 外转子轴流风机



型号 Model	电压 Voltage	频率 Frequency	电容器 Capacitor	曲线 Curve	输入功率 Power	转速 RPM	电流 Current	静压 Psf	环境温度 Temp.	静压效率 ηsf	能效值 EFF.Grade	噪声 Noise	备注 Note
	V	Hz	μF/450V	NO.	W	r/min	A	Pa	℃	%	N	dB(A)	
YDWF52L20P2-242P-175	1~220	50	1.5	A	27	2600	0.15	46	-40~+60	—	—	61	
	1~220	60	1.5	B	32	2810	0.16	55	-40~+70	—	—	62	

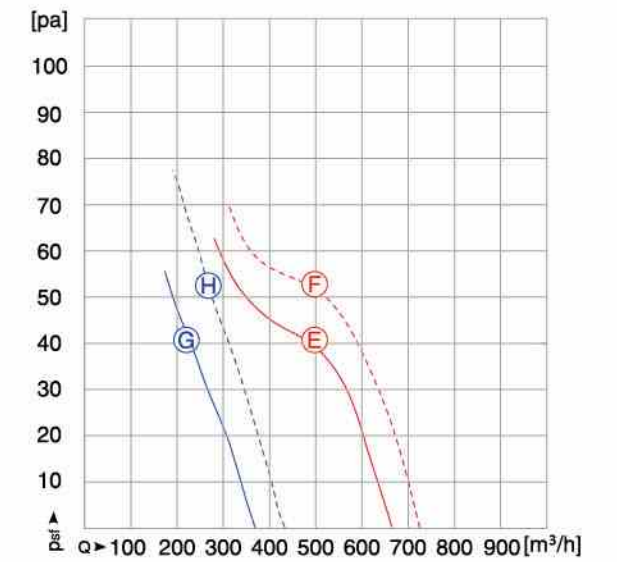
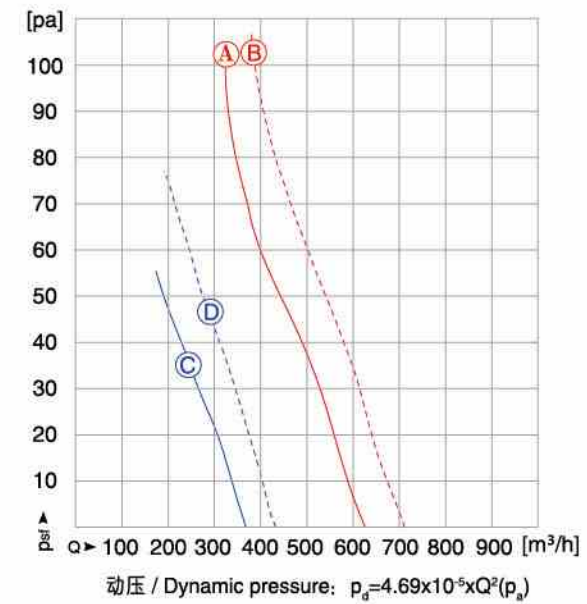
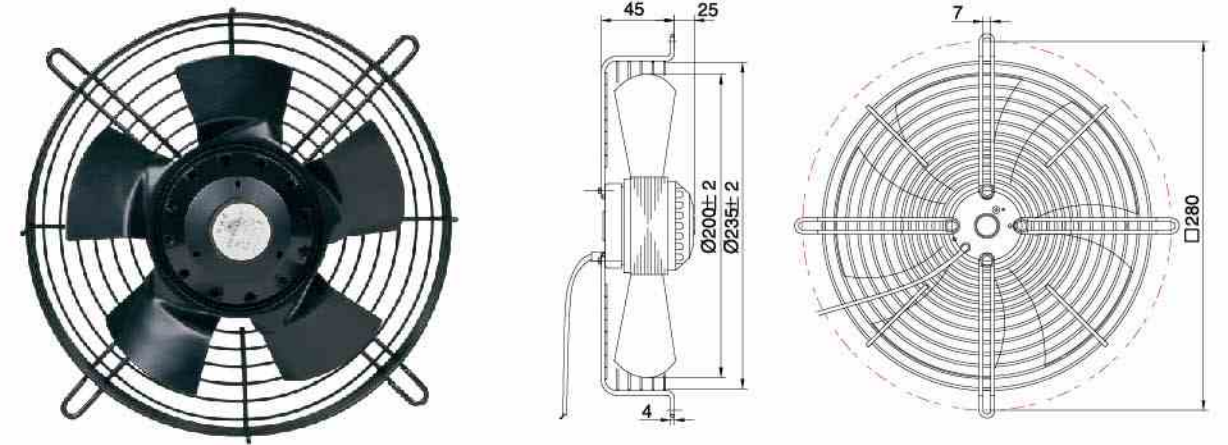
注：性能曲线在安装马尔导风圈时测得。Note: The performance curve is tested with MaEr wall plate.

MaEr Fan Motor

Professional · Honest · Human Oriented



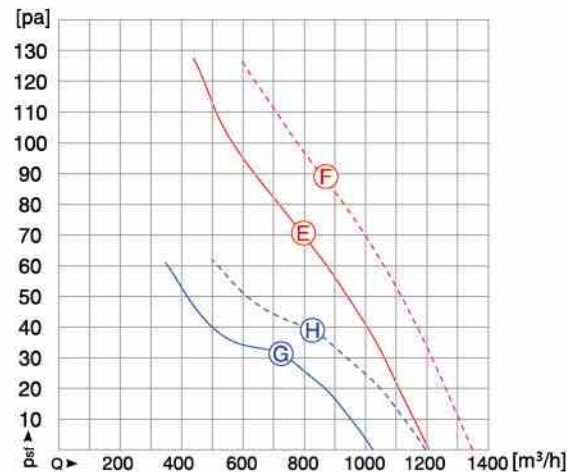
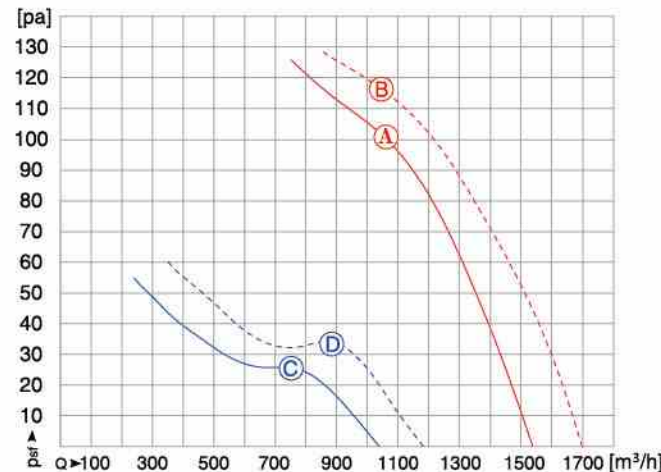
Ø 200 AC AXIAL FAN 外转子轴流风机



型号 Model	电压 Voltage	频率 Frequency	电容器 Capacitor	曲线 Curve	输入功率 Power	转速 RPM	电流 Current	静压 Psf	环境温度 Temp.	静压效率 ηsf	能效值 EFF.Grade	噪声 Noise	备注 Note
	V	Hz	μF/450V	NO.	W	r/min	A	Pa	℃	%	N	dB(A)	
YDWF67L15P2-280P-200	1~220	50	2	A	59	2589	0.26	102	-40~+80	—	—	66	
		60		B	75	2916	0.34	102	-40~+80	—	—	68	
YDWF68L15P4-280P-200	1~220	50	1.5	C	27	1399	0.13	37	-40~+80	—	—	53	
		60		D	29	1664	0.14	46	-40~+80	—	—	54	
YSWF68L15P2-280P-200	3~380	50	—	E	69	2537	0.18	41	-40~+75	—	—	66	
		60		F	68	2703	0.14	52	-40~+90	—	—	68	
YSWF68L15P4-280P-200	3~380	50	—	G	36	1443	0.14	42	-40~+90	—	—	53	
		60		H	25	1723	0.10	52	-40~+90	—	—	54	

注：性能曲线在安装马尔导风圈时测得。Note: The performance curve is tested with MaEr wall plate.

Ø 250 AC AXIAL FAN 外转子轴流风机



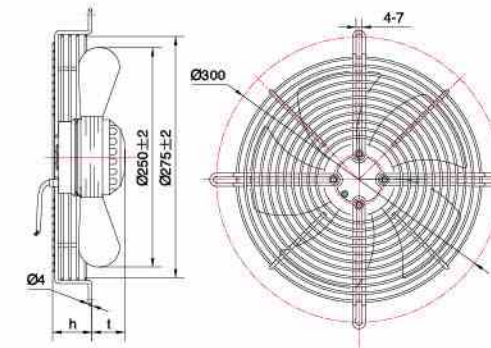
动压 / Dynamic pressure: $p_d = 1.92 \times 10^{-5} \times Q^2 (p_a)$

型号 Model	电压 Voltage	频率 Frequency	电容器 Capacitor	曲线 Curve	输入功率 Power	转速 RPM	电流 Current	静压 Psf	环境温度 Temp.	静压效率 ηsf	能效值 EFF.Grade	噪声 Noise	备注 Note
	V	Hz	μF/450V	NO.	W	r/min	A	Pa	℃	%	N	dB(A)	
YDWF67L25P2-□-250	1~220	50	3	A	114	2579	0.50	101	-40~+75	—	—	68	
		60		B	154	2732	0.67	117	-40~+80	—	—	70	
YDWF68L25P4-□-250	1~220	50	2	C	45	1357	0.21	25	-40~+80	—	—	54	
		60		D	62	1581	0.29	34	-40~+80	—	—	55	
YSWF68L25P2-□-250	3~380	50	—	E	92	2616	0.24	71	-40~+80	—	—	68	
		60		F	103	2876	0.20	89	-40~+85	—	—	70	
YSWF68L25P4-□-250	3~380	50	—	G	52	1387	0.13	31	-40~+90	—	—	54	
		60		H	61	1579	0.13	39	-40~+90	—	—	55	

注：性能曲线在安装马尔导风圈时测得。Note: The performance curve is tested with MaEr wall plate.

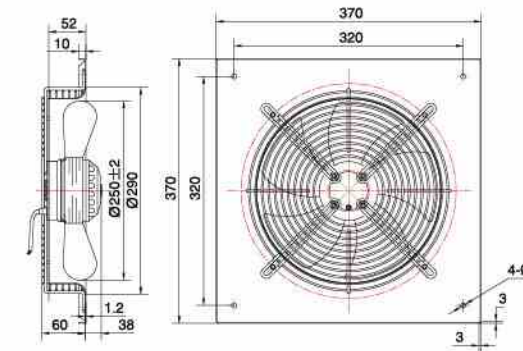
Ø 250 INSTALLATION ACCESSORIES 安装附件

□-300P



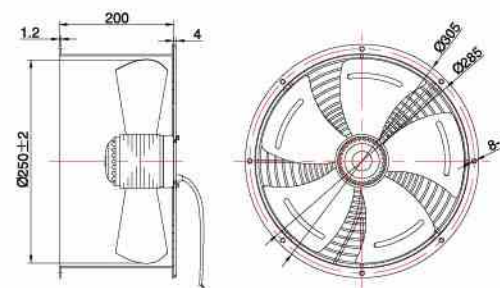
平网罩 Flat screen grid 300P			
型号 MODEL	h	t	
YDWF67L25P2-300P-250	45	35	
YD(S)WF68L25P4-300P-250	45	35	
YSWF68L25P2-300P-250	45	35	

□-320H



带导风圈 Wall plate 320H			
型号 MODEL			
YDWF67L25P2-320H-250			
YD(S)WF68L25P4-320H-250			
YSWF68L25P2-320H-250			

□-285BG



带风筒 Air duct 285BG			
型号 MODEL			
YDWF67L25P2-285BG-250			
YD(S)WF68L25P4-285BG-250			
YSWF68L25P2-285BG-250			

□-其他安装附件 Others

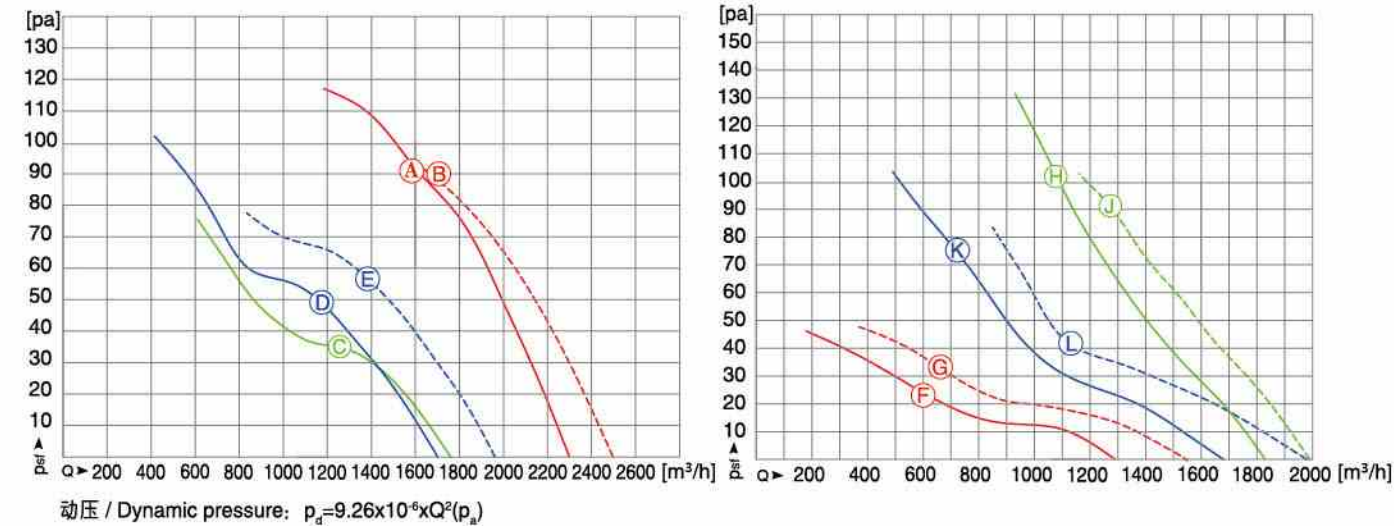
平板网罩 Flat net grid 300B			
型号 MODEL	h	t	
YDWF67L25P2-300B-250	0	75	
YD(S)WF68L25P4-300B-250	0	75	
YSWF68L25P2-300B-250	0	75	

MaEr Fan Motor

Professional · Honest · Human Oriented



Ø 300 AC AXIAL FAN 外转子轴流风机



型号 Model	电压 Voltage	频率 Frequency	电容器 Capacitor	曲线 Curve	输入功率 Power	转速 RPM	电流 Current	静压 Psf	环境温度 Temp.	静压效率 ηsf	能效值 EFF.Grade	噪声 Noise	备注 Note
	V	Hz	μF/450V	NO.	W	r/min	A	Pa	℃	%	N	dB(A)	
YDWF67L35P2-□-300	1~220	50	4	A	168	2592	0.73	92	-40 ~ +70	—	—	70	
		60		B	239	2596	1.04	91	-40 ~ +65	—	—	73	
YDWF68L35P4-□-300	1~220	50	3	C	89	1354	0.41	35	-40 ~ +75	—	—	59	
YDWF68L35P4-□-300	1~220	50	3	D	88	1355	0.37	49	-40 ~ +75	—	—	58	
		60		E	112	1546	0.48	57	-40 ~ +80	—	—	61	
YDWF68L35P6-□-300	1~220	50	2	F	53	886	0.24	26	-40 ~ +80	—	—	55	
		60		G	66	1007	0.30	33	-40 ~ +80	—	—	56	
YSWF68L35P2-□-300	3~380	50	—	H	169	2384	0.32	104	-40 ~ +75	—	—	70	
		60		J	196	2610	0.33	91	-40 ~ +80	—	—	73	
YSWF68L35P4-□-300	3~380	50	—	K	108	1345	0.22	76	-40 ~ +85	—	—	58	
		60		L	106	1596	0.23	41	-40 ~ +85	—	—	62	

注：性能曲线在安装马尔导风圈时测得。Note: The performance curve is tested with MaEr wall plate.

MaEr Fan Motor

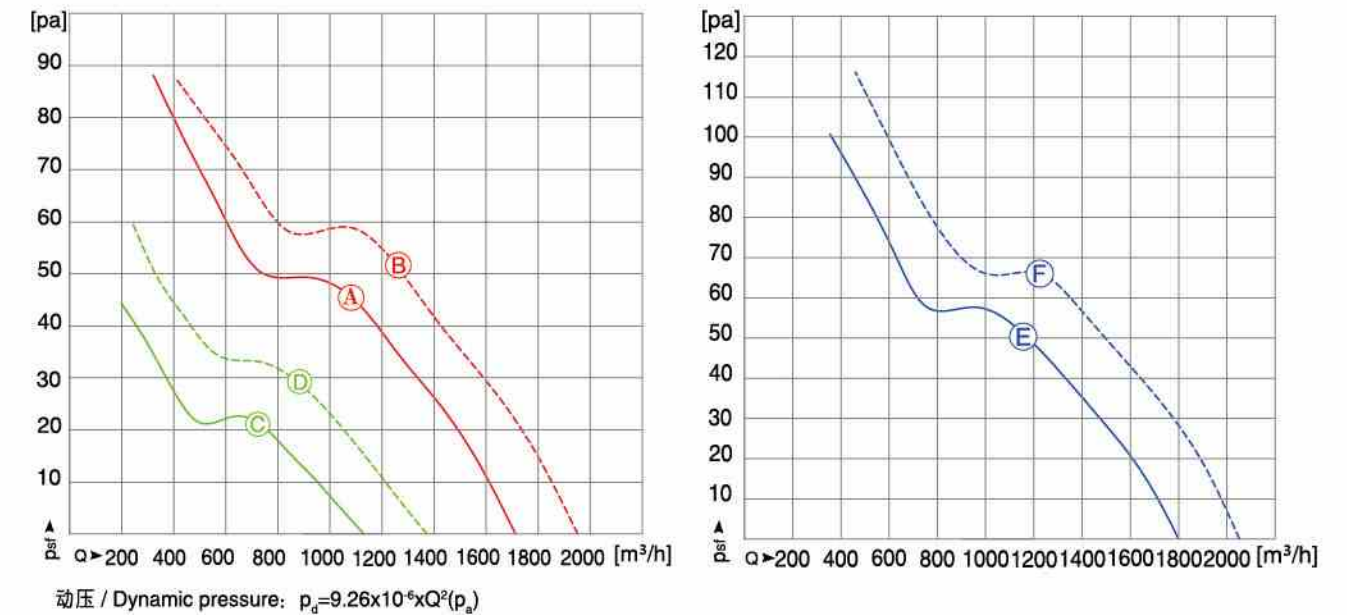
Professional · Honest · Human Oriented



Ø 300 AC AXIAL FAN 外转子轴流风机



叶轮材质：塑料
Impeller Material: Plastic



型号 Model	电压 Voltage	频率 Frequency	电容器 Capacitor	曲线 Curve	输入功率 Power	转速 RPM	电流 Current	静压 Psf	环境温度 Temp.	静压效率 ηsf	能效值 EFF.Grade	噪声 Noise	备注 Note
	V	Hz	μF/450V	NO.	W	r/min	A	Pa	℃	%	N	dB(A)	
YDWF68L35P4-□-300-PA	1~220	50	3	A	75	1320	0.34	45	-40 ~ +75	18.21	32	57	
		60		B	99	1464	0.46	51	-40 ~ +75	22.47	29	60	
YDWF68L35P6-□-300-PA	1~220	50	2	C	49	924	0.23	21	-40 ~ +80	8.78	23.3	54	
		60		D	60	1078	0.27	29	-40 ~ +80	11.89	25.8	55	
YSWF68L35P4-□-300-PA	3~380	50	—	E	89	1365	0.25	51	-40 ~ +80	18.40	31.3	58	
		60		F	104	1547	0.22	66	-40 ~ +80	21.49	34	61	

注：性能曲线在安装马尔导风圈时测得。Note: The performance curve is tested with MaEr wall plate.

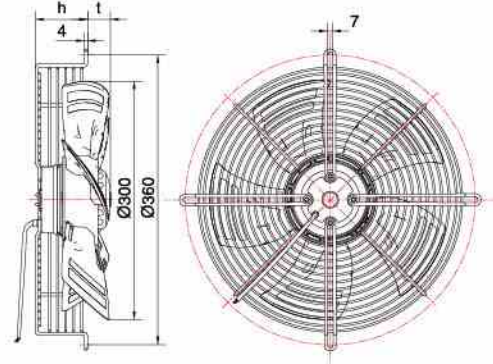
MaEr Fan Motor

Professional · Honest · Human Oriented



Ø 300 INSTALLATION ACCESSORIES 安装附件

□-360N

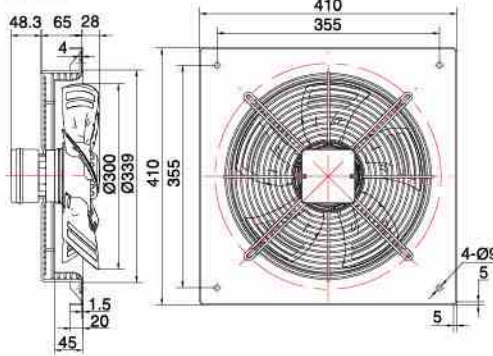


常规凹网罩 Concave grid 360N				低凹网罩 Low concave grid 360N35			
型号 MODEL	h	t	型号 MODEL	h	t		
YDWF67L35P2-360N-300	80	40	YDWF67L35P2-360N35-300	35	85		
YDWF68L35P4-360N-300	80	40	YDWF68L35P4-360N35-300	35	85		
YDWF68L35P6-360N-300	80	40	YDWF68L35P6-360N35-300	35	85		
YSWF68L35P2-360N-300	80	40	YSWF68L35P2-360N35-300	35	85		
YSWF68L35P4-360N-300	80	40	YSWF68L35P4-360N35-300	35	85		

平网罩 Flat Screen grid 360P

型号 MODEL	h	t
YDWF67L35P2-360P-300	65	30
YDWF68L35P4-360P-300	65	30
YSWF68L35P2-360P-300	65	30
YSWF68L35P4-360P-300	65	30

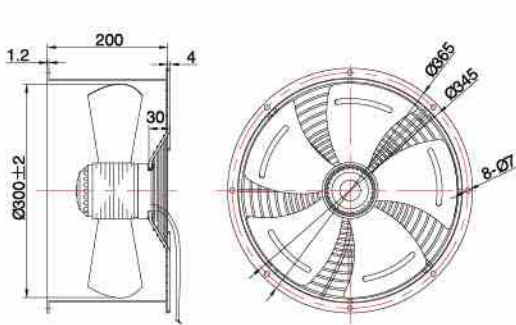
□-355H



带网风扇 Wall plate 355H

型号 MODEL
YDWF67L35P2-355H-300
YDWF68L35P4-355H-300
YDWF68L35P6-355H-300
YSWF68L35P2-355H-300
YSWF68L35P4-355H-300

□-345NG



带风筒 Air duct 345NG

型号 MODEL
YDWF67L35P2-345NG-300
YDWF68L35P4-345NG-300
YDWF68L35P6-345NG-300
YSWF68L35P2-345NG-300
YSWF68L35P4-345NG-300

□-其他安装附件 Others

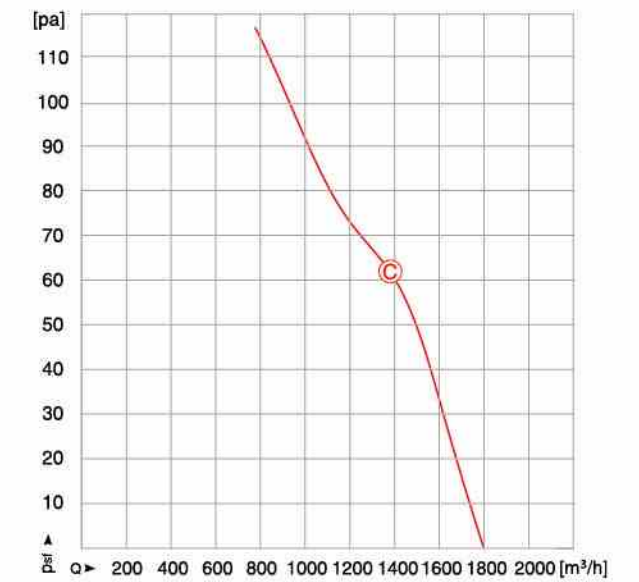
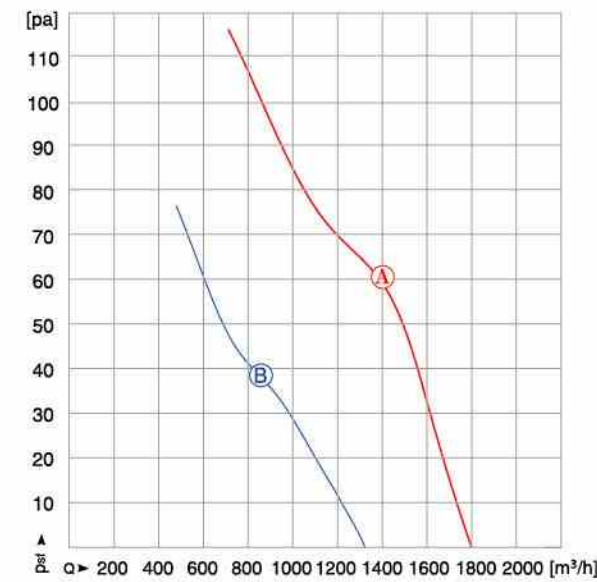
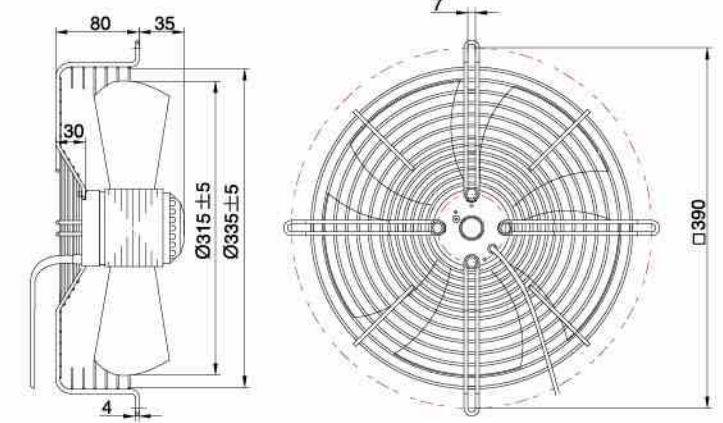
平网罩 Flat screen grid 360P				平板网罩 Flat net grid 360B				凹板网罩 Concave flat grid 360NB			
型号 MODEL	h	t	型号 MODEL	h	t	型号 MODEL	h	t	型号 MODEL	h	t
YDWF67L35P2-360P-300	65	25	YDWF67L35P2-360B-300	—	90	YDWF67L35P2-360NB-300	—	120	YDWF67L35P2-360NB-300	—	120
YDWF68L35P4-360P-300	65	25	YDWF68L35P4-360B-300	—	90	YDWF68L35P4-360NB-300	—	120	YDWF68L35P4-360NB-300	—	120
YDWF68L35P6-360P-300	65	25	YDWF68L35P6-360B-300	—	90	YDWF68L35P6-360NB-300	—	120	YDWF68L35P6-360NB-300	—	120
YSWF68L35P2-360P-300	65	25	YSWF68L35P2-360B-300	—	90	YSWF68L35P2-360NB-300	—	120	YSWF68L35P2-360NB-300	—	120
YSWF68L35P4-360P-300	65	25	YSWF68L35P4-360B-300	—	90	YSWF68L35P4-360NB-300	—	120	YSWF68L35P4-360NB-300	—	120

MaEr Fan Motor

Professional · Honest · Human Oriented



Ø 315 AC AXIAL FAN 外转子轴流风机



动压 / Dynamic pressure: $p_d = 7.62 \times 10^{-6} \times Q^2 (p_s)$

型号 Model	电压 Voltage	频率 Frequency	电容器 Capacitor	曲线 Curve	输入功率 Power	转速 RPM	电流 Current	静压 Psf	环境温度 Temp.	静压效率 nsf	能效值 EFF.Grade	噪声 Noise	备注 Note
	V	Hz	μF/450V	NO.	W	r/min	A	Pa	°C	%	N	dB(A)	
YDWF68L35P4-390N-315	1~220	50	3	A	90	1380	0.43	60	-40~+75	—	—	60	
YDWF68L35P6-390N-315	1~220	50	2	B	60	920	0.29	37	-40~+85	—	—	60	
YSWF68L35P4-390N-315	3~380	50	—	C	90	1380	0.30	62	-40~+80	—	—	56	

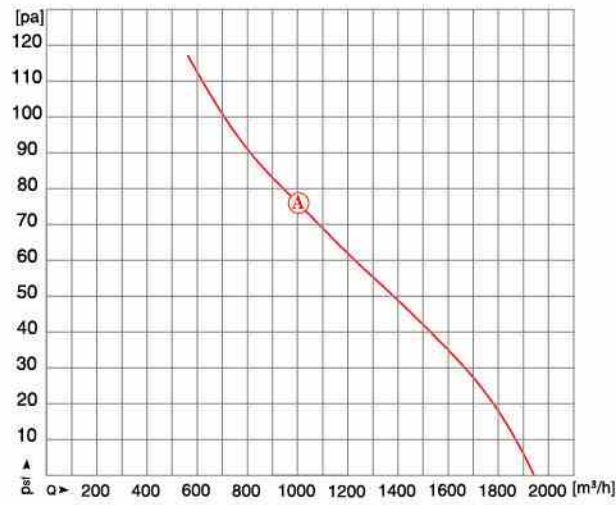
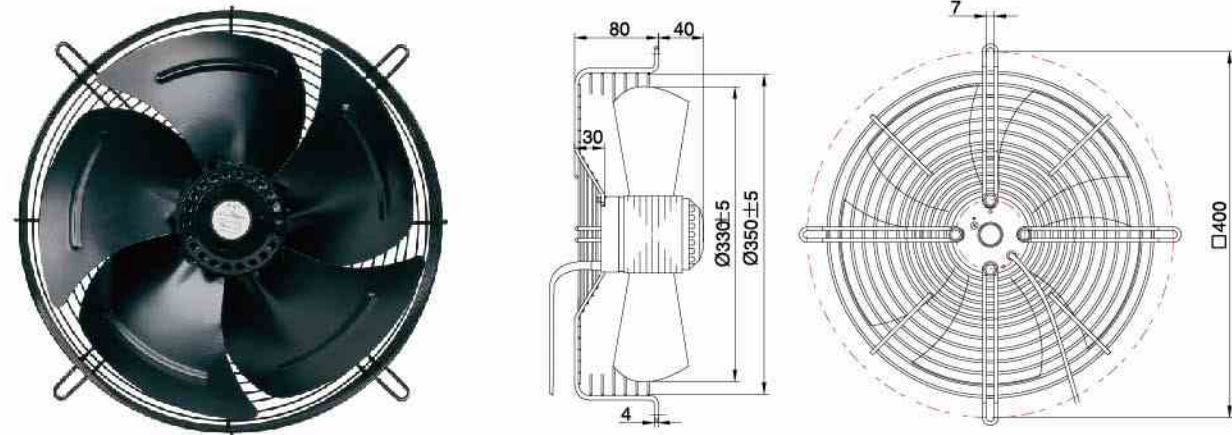
注：性能曲线在安装马尔导风罩时测得。Note: The performance curve is tested with MaEr wall plate.

MaEr Fan Motor

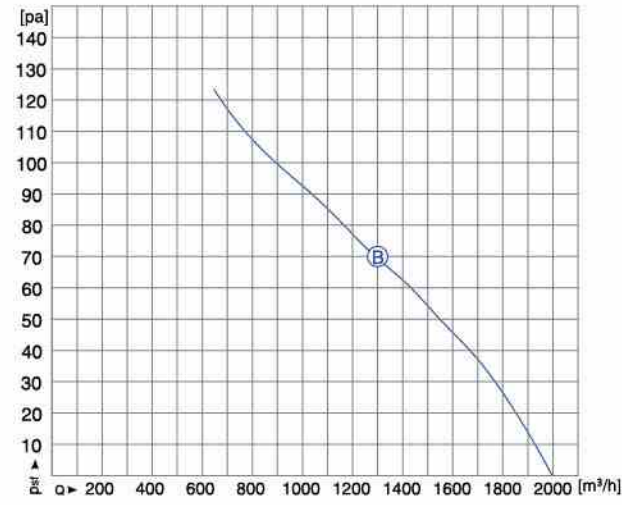
Professional · Honest · Human Oriented



Ø 330 AC AXIAL FAN 外转子轴流风机



动压 / Dynamic pressure: $p_d = 6.33 \times 10^{-6} \times Q^2 (p_a)$



型号 Model	电压 Voltage	频率 Frequency	电容器 Capacitor	曲线 Curve	输入功率 Power	转速 RPM	电流 Current	静压 Psf	环境温度 Temp.	静压效率 ηsf	能效值 EFF.Grade	噪声 Noise	备注 Note
	V	Hz	μF/450V	NO.	W	r/min	A	Pa	°C	%	N	dB/(A)	
YDWF68L40P4-400N-330	1~220	50	4	A	128	1342	0.63	76	-40~+75	—	—	60	
YSWF68L40P4-400N-330	3~380	50	—	B	113	1389	0.32	70	-40~+80	—	—	60	

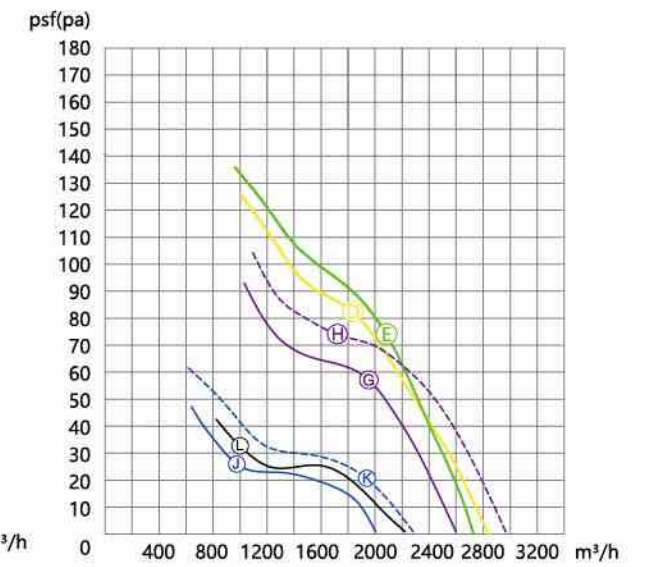
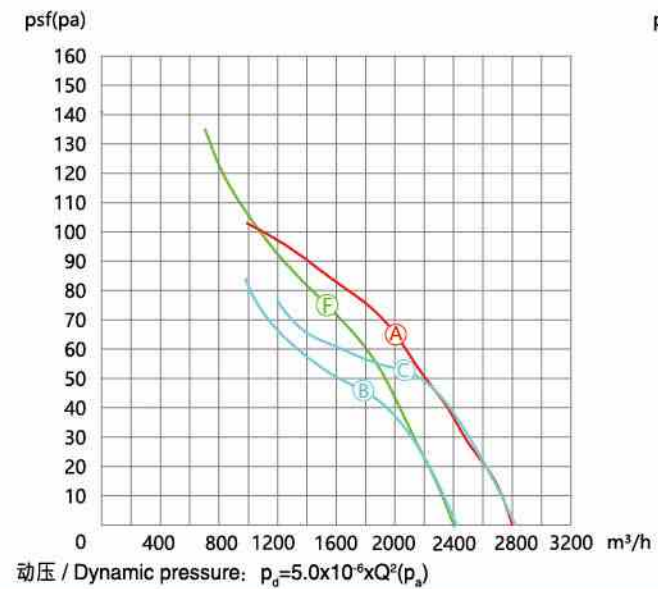
注：性能曲线在安装马尔导风圈时测得。Note: The performance curve is tested with MaEr wall plate.

MaEr Fan Motor

Professional · Honest · Human Oriented



Ø 350 AC AXIAL FAN 外转子轴流风机



型号 Model	电压 Voltage	频率 Frequency	曲线 Curve	输入功率 Power	转速 RPM	电流 Current	静压 Psf	环境温度 Temp.	静压效率 ηsf	能效值 EFF.Grade	噪声 Noise	备注 Note
	V	Hz	NO.	W	r/min	A	Pa	°C	%	N	dB/(A)	
YDWF74L34P4-422N-350	1~220	50	A	147	1353	0.87	64	-40~+80	24.46	36.1	63	
YDWF74L34P4-422N-350	1~220	50	B	118	1387	0.56	46	-40~+80	—	—	62	
YDWF74L34P4-422N-350	1~220	60	C	161	1575	0.73	52	-40~+80	—	—	66	
YSWF74L34P4-422N-350	3~380	50	D	164	1374	0.38	83	-40~+80	25.54	36.9	63	
YSWF74L34P4-422N-350	3~380	50	E	121	1397	0.28	74	-40~+80	26.72	38.8	63	
YSWF74L34P4-422N-350	3~380	60	F	160	1556	0.30	76	-40~+80	27.11	38.4	66	
YSWF74L34P4-□-350	3~380	50	G	143	1365	0.34	55	-40~+80	20.66	32.2	63	
YSWF74L34P4-□-350	3~380	60	H	193	1512	0.36	74	-40~+80	21.20	31.9	66	
YSWF74L34P6-□-350	3~380	50	J	90	922	0.25	25	-40~+80	—	—	57	
YSWF74L34P6-□-350	3~380	50	K	92	918	0.26	20	-40~+80	—	—	57	
YSWF74L34P6-□-350	3~380	60	L	107	1041	0.24	31	-40~+80	—	—	58	

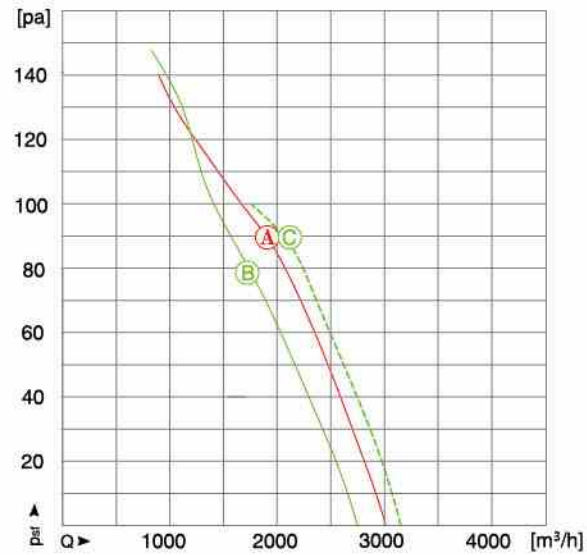
注：性能曲线在安装马尔导风圈时测得。Note: The performance curve is tested with MaEr wall plate.

MaEr Fan Motor

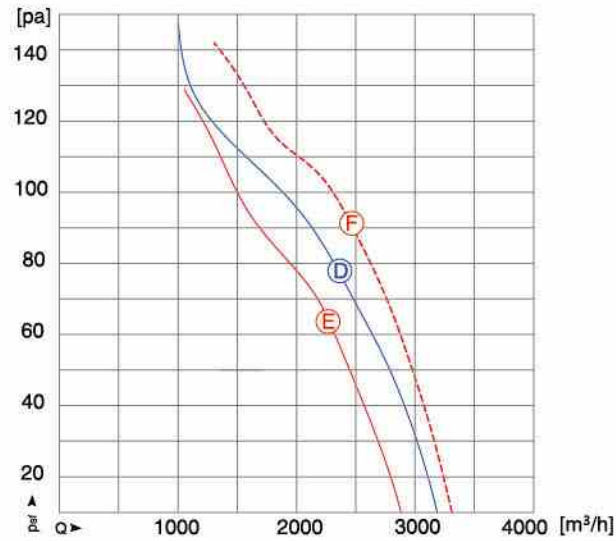
Professional · Honest · Human Oriented



Ø 350 AC AXIAL FAN 外转子轴流风机



动压 / Dynamic pressure: $p_d = 5.0 \times 10^{-6} \times Q^2 (p_a)$



MaEr Fan Motor

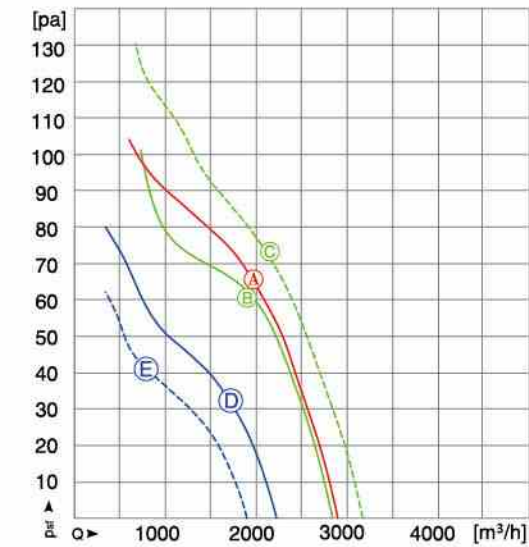
Professional · Honest · Human Oriented



Ø 350 AC AXIAL FAN 外转子轴流风机



叶轮材质: 塑料
Impeller Material: Plastic



动压 / Dynamic pressure: $p_d = 5.0 \times 10^{-6} \times Q^2 (p_a)$

型号 Model	电压 Voltage	频率 Frequency	电容器 Capacitor	曲线 Curve	输入功率 Power	转速 RPM	电流 Current	静压 Psf	环境温度 Temp.	静压效率 ηsf	能效值 EFF.Grade	噪声 Noise	备注 Note
	V	Hz	μF/450V	NO.	W	r/min	A	Pa	℃	%	N	dB(A)	
YDWF74L47P4-□-350	1~220	50	6	A	192	1381	0.80	90	-40~+70	24.87	36	64	
YDWF74L47P4-□-350	1~220	50	6	B	173	1375	0.82	79	-40~+80	22.22	32.2	63	
		60		C	242	1533	1.09	90	-40~+80	21.28	31.4	65	
YSWF74L47P4-□-350	3~380	50	—	D	195	1383	0.46	77	-40~+80	24.37	35.3	64	
YSWF74L47P4-□-350	3~380	50	—	E	163	1397	0.44	64	-40~+90	22.84	34.1	62	
		60		F	233	1584	0.45	92	-40~+90	24.52	34.8	65	

注: 性能曲线在安装马尔导风圈时测得。Note: The performance curve is tested with MaEr wall plate.

型号 Model	电压 Voltage	频率 Frequency	电容器 Capacitor	曲线 Curve	输入功率 Power	转速 RPM	电流 Current	静压 Psf	环境温度 Temp.	静压效率 ηsf	能效值 EFF.Grade	噪声 Noise	备注 Note
	V	Hz	μF/450V	NO.	W	r/min	A	Pa	℃	%	N	dB(A)	
YDWF74L34P4-□-350-PA	1~220	50	4	A	162	1329	0.67	65	-40~+70	22.07	33	62	
YSWF74L34P4-□-350-PA	3~380	50	—	B	154	1364	0.35	61	-40~+70	21.39	32.7	61	
		60		C	211	1501	0.38	73	-40~+70	20.57	31.1	64	
YSWF74L34P6-□-350-PA	3~380	50	—	D	83	935	0.25	32	-40~+85	—	—	56	
		60		E	92	1077	0.23	41	-40~+85	—	—	57	

注: 性能曲线在安装马尔导风圈时测得。Note: The performance curve is tested with MaEr wall plate.

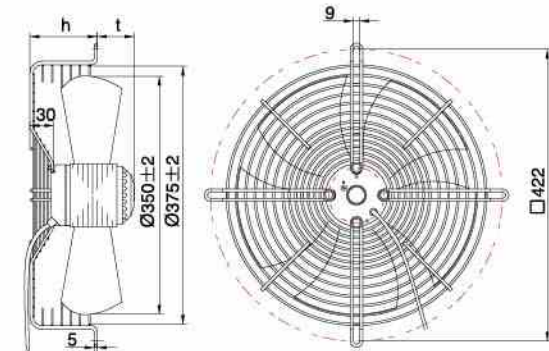
MaEr Fan Motor

Professional · Honest · Human Oriented



Ø 350 INSTALLATION ACCESSORIES 安装附件

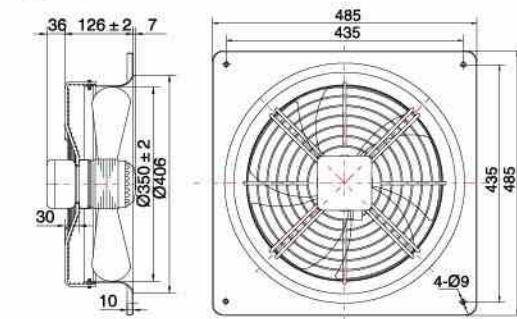
□-422N



常规凹网罩 Concave grid 422N				低凹网罩 Low concave grid 422N40			
型号 MODEL	h	t		型号 MODEL	h	t	
YD(S)WF74L34P4-422N-350	80	52		YD(S)WF74L34P4-422N40-350	40	92	
YD(S)WF74L34P6-422N-350	80	52		YD(S)WF74L34P6-422N40-350	40	92	
YD(S)WF74L47P4-422N-350	80	67		YD(S)WF74L47P4-422N40-350	40	107	

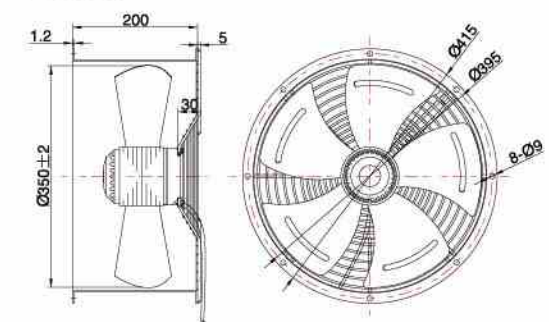
平网罩 Flat Screen grid 422P			
型号 MODEL	h	t	
YDWF74L34P4-422P-350	75	32	
YSWF74L35P4-422P-350	75	32	
YD(S)WF74L47P4-422P-350	75	45	

□-435H



带导风圈 Wall plate 435H	
型号 MODEL	
YD(S)WF74L34P4-435H-350	
YD(S)WF74L34P6-435H-350	
YSWF74L35P4-435H-350	
YDWF68L40P4-435H-350	
YDWF68L35P6-435H-350	
YD(S)WF74L47P4-435H-350	

□-395NG



带风筒 Air duct 395NG	
型号 MODEL	
YD(S)WF74L34P4-395NG-350	
YD(S)WF74L34P6-395NG-350	
YSWF74L35P4-395NG-350	
YDWF68L40P4-395NG-350	
YDWF68L35P6-395NG-350	
YD(S)WF74L47P4-395NG-350	

□-其他安装附件 Others

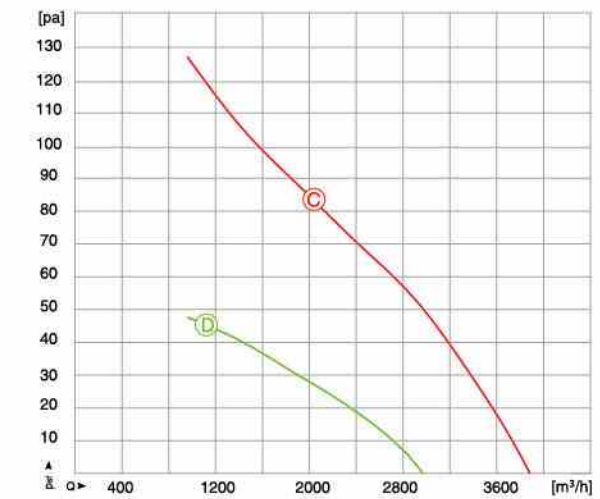
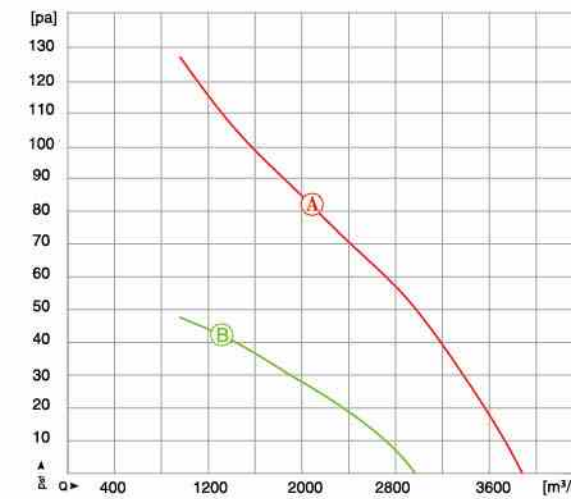
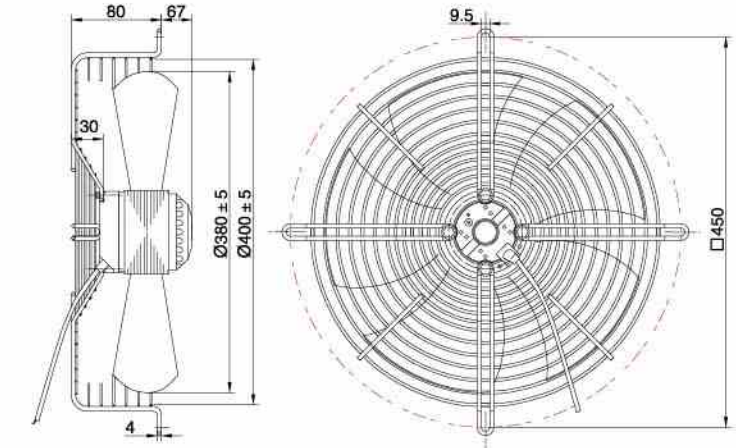
平网罩 Flat screen grid 422P75				平板网罩 Flat net grid 422B				凹板网罩 Concave flat grid 422NB			
型号 MODEL	h	t		型号 MODEL	h	t		型号 MODEL	h	t	
YD(S)WF74L34P4-422P-350	75	32		YD(S)WF74L34P4-422B-350	—	102		YD(S)WF74L34P4-422NB-350	—	132	
YD(S)WF74L34P6-422P-350	75	32		YD(S)WF74L34P6-422B-350	—	102		YD(S)WF74L34P6-422NB-350	—	132	
YSWF74L35P4-422P-350	75	32		YSWF74L35P4-422B-350	—	102		YSWF74L35P4-422NB-350	—	132	
YD(S)WF74L47P4-422P-350	75	47		YD(S)WF74L47P4-422B-350	—	117		YD(S)WF74L47P4-422NB-350	—	147	

MaEr Fan Motor

Professional · Honest · Human Oriented



Ø 380 AC AXIAL FAN 外转子轴流风机



动压 / Dynamic pressure: $p_e = 3.59 \times 10^{-6} \times Q^2 (p_e)$

型号 Model	电压 Voltage	频率 Frequency	电容器 Capacitor	曲线 Curve	输入功率 Power	转速 RPM	电流 Current	静压 Psf	环境温度 Temp.	静压效率 η_{sf}	能效值 EFF.Grade	噪声 Noise	备注 Note
	V	Hz	$\mu F/450V$	NO.	W	r/min	A	Pa	°C	%	N	dB/(A)	
YDWF74L47P4-450N-380	1~220	50	6	A	185	1410	0.85	81	-40~+75	25.54	36.5	64	
YDWF74L47P6-450N-380	1~220	50	5	B	110	925	0.55	43	-40~+80	14.12	26.5	56	
YSWF74L47P4-450N-380	3~380	50	—	C	185	1410	0.46	83	-40~+85	24.92	35.9	64	
YSWF74L47P6-450N-380	3~380	50	—	D	110	925	0.35	45	-40~+85	13.64	26.0	56	

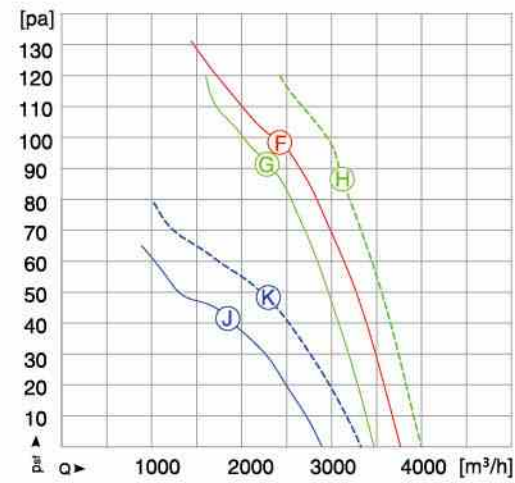
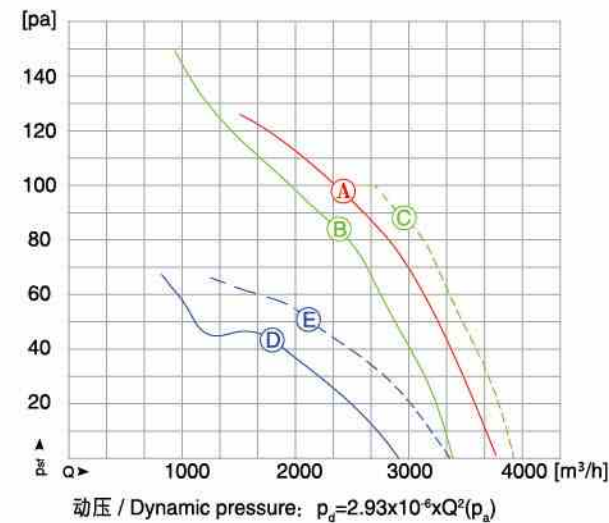
注：性能曲线在安装马尔导风圈时测得。Note: The performance curve is tested with MaEr wall plate.

MaEr Fan Motor

Professional · Honest · Human Oriented



Ø 400 AC AXIAL FAN 外转子轴流风机



型号 Model	电压 Voltage	频率 Frequency	电容器 Capacitor	曲线 Curve	输入功率 Power	转速 RPM	电流 Current	静压 Psf	环境温度 Temp.	静压效率 ηsf	能效值 EFF.Grade	噪声 Noise	备注 Note
	V	Hz	μF/450V	NO.	W	r/min	A	Pa	℃	%	N	dB(A)	
YDWF74L47P4-□-400	1~220	50	6	A	219	1352	1.00	99	-40~+75	30.34	40.8	68	
YDWF74L47P4-□-400	1~220	50	6	B	179	1378	0.84	84	-40~+80	30.93	41.9	67	
		60		C	241	1564	1.10	88	-40~+80	30.08	40.2	69	
YDWF74L47P6-□-400	1~220	50	5	D	113	909	0.52	46	-40~+75	17.93	30.1	58	
		60		E	145	1040	0.68	51	-40~+75	20.52	32.0	59	
YSWF74L47P4-□-400	3~380	50	—	F	216	1362	0.46	97	-40~+80	30.97	41.4	68	
		60		G	186	1383	0.44	93	-40~+90	31.92	42.7	67	
YSWF74L47P4-□-400	3~380	50	—	H	238	1587	0.45	87	-40~+90	31.48	41.6	69	
		60		J	118	922	0.36	41	-40~+80	18.08	30.1	58	
YSWF74L47P6-□-400	3~380	50	—	K	146	1055	0.33	48	-40~+80	20.99	32.5	60	
		60											

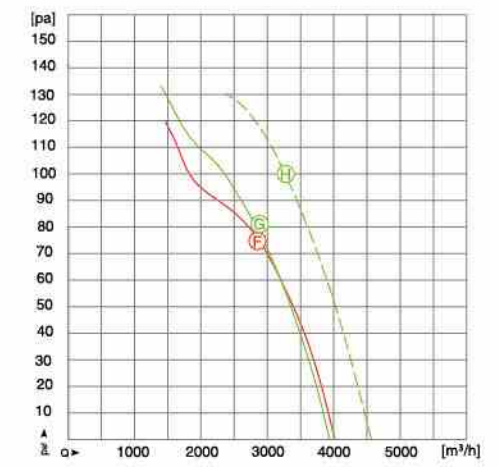
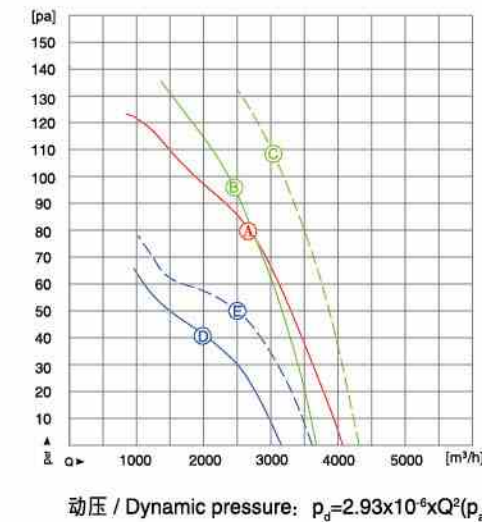
注：性能曲线在安装马尔导风圈时测得。Note: The performance curve is tested with MaEr wall plate.

MaEr Fan Motor

Professional · Honest · Human Oriented



Ø 400 AC AXIAL FAN 外转子轴流风机



型号 Model	电压 Voltage	频率 Frequency	电容器 Capacitor	曲线 Curve	输入功率 Power	转速 RPM	电流 Current	静压 Psf	环境温度 Temp.	静压效率 ηsf	能效值 EFF.Grade	噪声 Noise	备注 Note
	V	Hz	μF/450V	NO.	W	r/min	A	Pa	℃	%	N	dB(A)	
YDWF74L60P4-□-400	1~220	50	8	A	239	1353	1.09	80	-40~+80	25.16	35.3	68	
YDWF74L60P4-□-400	1~220	50	8	B	222	1398	1.00	97	-40~+85	29.6	40.1	67	
		60		C	292	1603	1.34	108	-40~+80	31.31	41.1	70	
YDWF74L60P6-□-400	1~220	50	6	D	139	907	0.67	42	-40~+80	16.45	28.1	59	
		60		E	167	1045	0.76	50	-40~+75	21.04	32.2	61	
YSWF74L60P4-□-400	3~380	50	—	F	227	1382	0.52	76	-40~+80	26.47	36.8	68	
		60		G	223	1391	0.51	79	-40~+80	29.59	40.1	67	
YSWF74L60P4-□-400	3~380	60	—	H	307	1575	0.57	101	-40~+75	29.72	39.2	70	

注：性能曲线在安装马尔导风圈时测得。Note: The performance curve is tested with MaEr wall plate.

MaEr Fan Motor

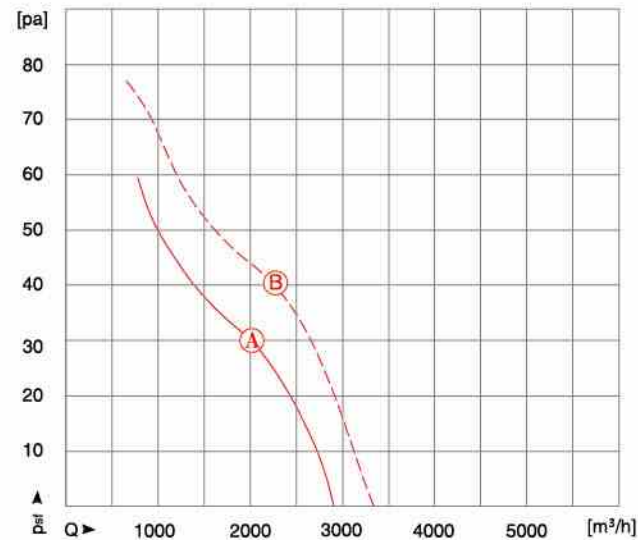
Professional · Honest · Human Oriented



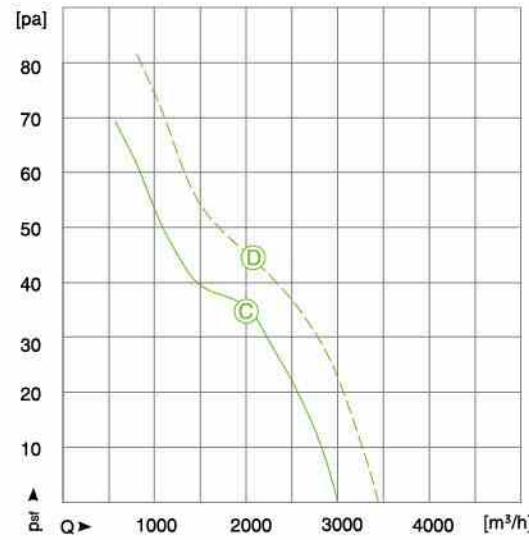
Ø 400 AC AXIAL FAN 外转子轴流风机



叶轮材质: 塑料
Impeller Material: Plastic



动压 / Dynamic pressure: $p_d=2.93 \times 10^{-6} \times Q^2 (p_a)$



型号 Model	电压 Voltage	频率 Frequency	电容器 Capacitor	曲线 Curve	输入功率 Power	转速 RPM	电流 Current	静压 Psf	环境温度 Temp.	静压效率 ηsf	能效值 EFF.Grade	噪声 Noise	备注 Note
	V	Hz	μF/450V	NO.	W	r/min	A	Pa	℃	%	N	dB/(A)	
YDWF74L47P6-□-400-PA	1~220	50	5	A	120	901	0.556	30	-40~+75	14.03	26	56	
		60		B	149	1026	0.683	41	-40~+75	17.14	28.6	59	
YSWF74L47P6-□-400-PA	3~380	50	—	C	128	924	0.40	35	-40~+80	14.45	26.4	56	
		60		D	157	1051	0.37	44	-40~+80	18.01	29.4	59	

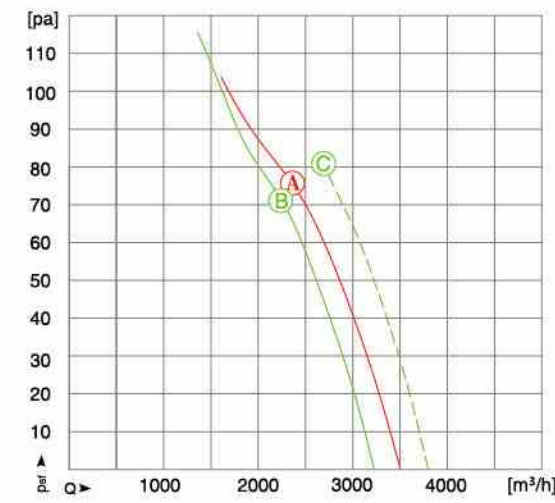
注: 性能曲线在安装马尔导风圈时测得。Note: The performance curve is tested with MaEr wall plate.

MaEr Fan Motor

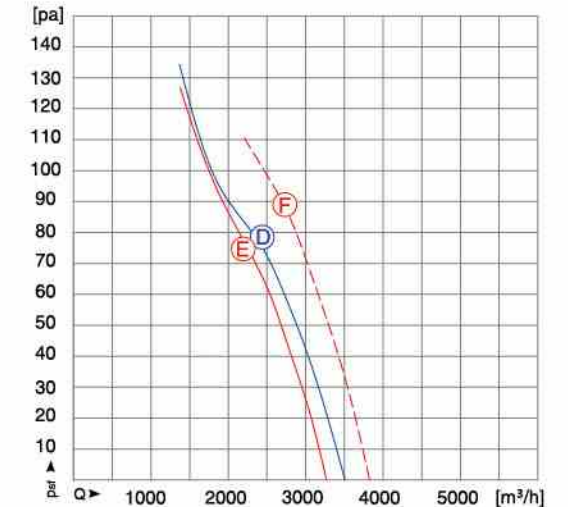
Professional · Honest · Human Oriented



Ø 400 AC AXIAL FAN 外转子轴流风机



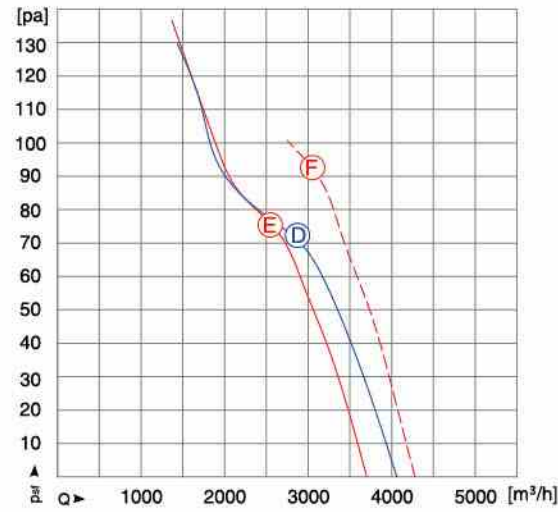
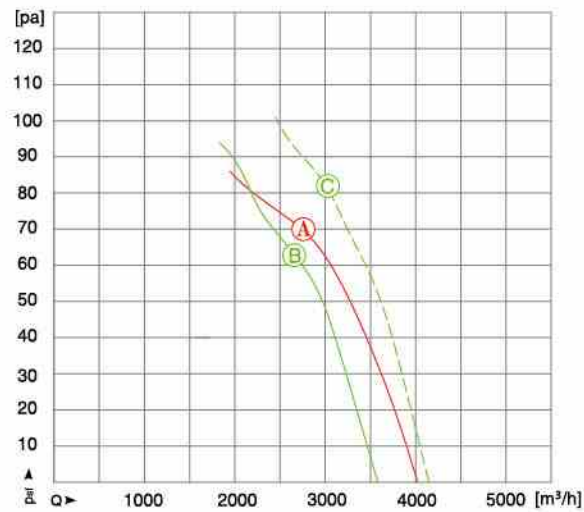
动压 / Dynamic pressure: $p_d=2.93 \times 10^{-6} \times Q^2 (p_a)$



型号 Model	电压 Voltage	频率 Frequency	电容器 Capacitor	曲线 Curve	输入功率 Power	转速 RPM	电流 Current	静压 Psf	环境温度 Temp.	静压效率 ηsf	能效值 EFF.Grade	噪声 Noise	备注 Note
	V	Hz	μF/450V	NO.	W	r/min	A	Pa	℃	%	N	dB/(A)	
YDWF74L47P4-□-400-4F	1~220	50	6	A	197	1365	0.92	76	-40~+75	25.21	35.9	71	
		60		B	176	1375	0.85	72	-40~+80	25.36	36.3	70	
		60		C	241	1553	1.10	82	-40~+80	25.36	35.5	72	
YSWF74L47P4-□-400-4F	3~380	50	—	D	196	1379	0.46	78	-40~+75	26.14	36.8	71	
		60		E	179	1396	0.447	76	-40~+85	26.18	37.1	70	
		60		F	238	1594	0.452	88	-40~+85	28.07	38.2	72	

注: 性能曲线在安装马尔导风圈时测得。Note: The performance curve is tested with MaEr wall plate.

Ø 400 AC AXIAL FAN 外转子轴流风机



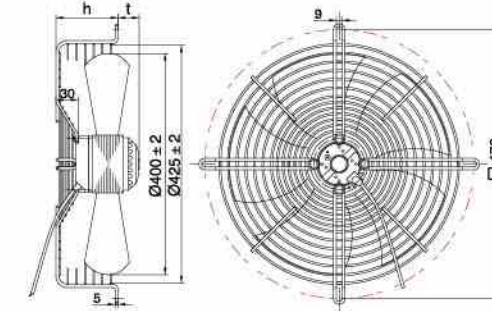
动压 / Dynamic pressure: $p_d = 2.93 \times 10^{-6} \times Q^2 (p_a)$

型号 Model	电压 Voltage	频率 Frequency	电容器 Capacitor	曲线 Curve	输入功率 Power	转速 RPM	电流 Current	静压 Psf	环境温度 Temp.	静压效率 ηsf	能效值 EFF.Grade	噪声 Noise	备注 Note
	V	Hz	μF/450V	NO.	W	r/min	A	Pa	℃	%	N	dB(A)	
YDWF74L60P4-□-400-4F	1~220	50	8	A	247	1388	1.12	70	-40~+80	21.60	31.7	72	
YDWF74L60P4-□-400-4F	1~220	50	8	B	203	1399	0.96	62	-40~+80	22.82	33.4	71	
		60		C	275	1603	1.25	83	-40~+80	25.06	34.8	73	
YSWF74L60P4-□-400-4F	3~380	50	—	D	233	1380	0.54	72	-40~+80	24.27	34.5	72	
		60		E	203	1402	0.52	75	-40~+85	26.47	37.1	71	
YSWF74L60P4-□-400-4F	3~380	50	—	F	280	1607	0.54	92	-40~+85	28.01	37.7	73	

注：性能曲线在安装马尔导风圈时测得。Note: The performance curve is tested with MaEr wall plate.

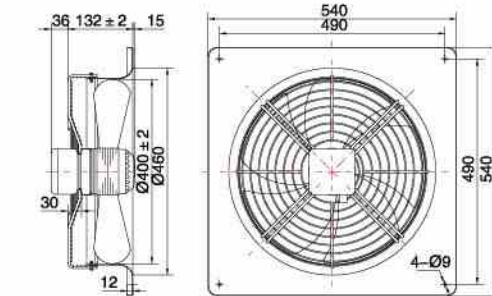
Ø 400 INSTALLATION ACCESSORIES 安装附件

□-470N



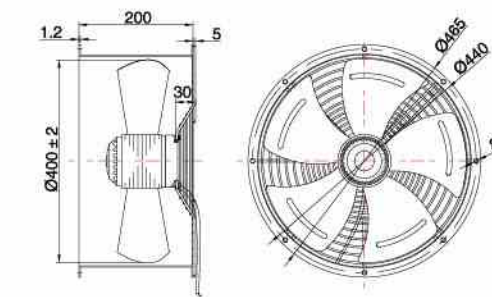
常规凹网罩 Concave grid 470N				低凹网罩 Low concave grid 470N35			
型号	MODEL	h	t	型号	MODEL	h	t
YD(S)WF74L47P4-470N-400		90	57	YD(S)WF74L47P4-470N35-400		35	112
YD(S)WF74L47P6-470N-400		90	57	YD(S)WF74L47P6-470N35-400		35	112
YD(S)WF74L60P4-470N-400		90	70	YD(S)WF74L60P4-470N35-400		35	125
YD(S)WF74L60P6-470N-400		90	70	YD(S)WF74L60P6-470N35-400		35	125

□-490H



带风圈 Wall plate 490H	
型号	MODEL
YD(S)WF74L47P4-490H-400	
YD(S)WF74L47P6-490H-400	
YD(S)WF74L60P4-490H-400	
YD(S)WF74L60P6-490H-400	

□-440NG



带风筒 Air duct 440NG	
型号	MODEL
YD(S)WF74L47P4-440NG-400	
YD(S)WF74L47P6-440NG-400	
YD(S)WF74L60P4-440NG-400	
YD(S)WF74L60P6-440NG-400	

□-其他安装附件 Others

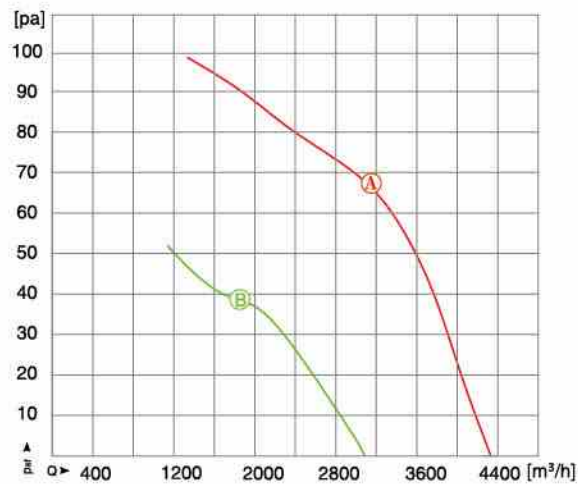
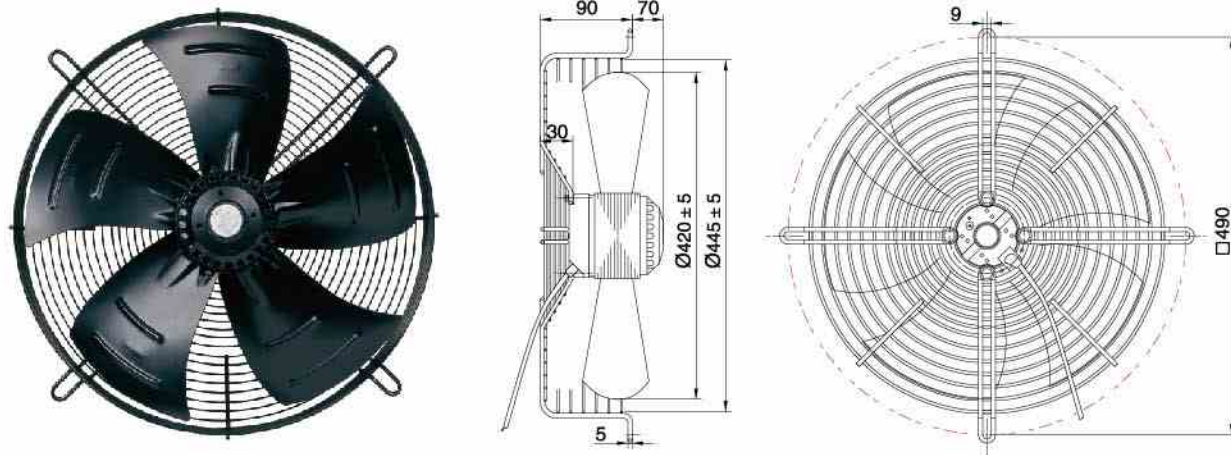
平网罩 Flat screen grid 470P				平板网罩 Flat net grid 470B				凹板网罩 Concave flat grid 470NB			
型号	MODEL	h	t	型号	MODEL	h	t	型号	MODEL	h	t
YD(S)WF74L47P4-470P-400		90	27	YD(S)WF74L47P4-470B-400		—	117	YD(S)WF74L47P4-470NB-400		—	147
YD(S)WF74L47P6-470P-400		90	27	YD(S)WF74L47P6-470B-400		—	117	YD(S)WF74L47P6-470NB-400		—	147
YD(S)WF74L60P4-470P-400		90	40	YD(S)WF74L60P4-470B-400		—	130	YD(S)WF74L60P4-470NB-400		—	160
YD(S)WF74L60P6-470P-400		90	40	YD(S)WF74L60P6-470B-400		—	130	YD(S)WF74L60P6-470NB-400		—	160

MaEr Fan Motor

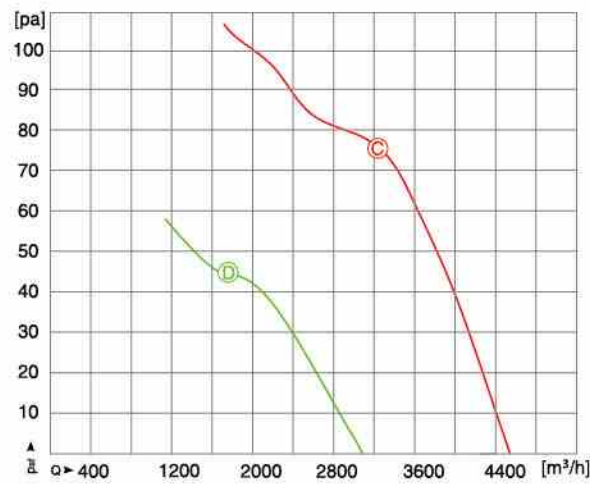
Professional · Honest · Human Oriented



Ø 420 AC AXIAL FAN 外转子轴流风机



动压 / Dynamic pressure: $p_d = 2.41 \times 10^{-6} \times Q^2 (p_a)$



型号 Model	电压 Voltage	频率 Frequency	电容器 Capacitor	曲线 Curve	输入功率 Power	转速 RPM	电流 Current	静压 Psf	环境温度 Temp.	静压效率 ηsf	能效值 EFF.Grade	噪声 Noise	备注 Note
	V	Hz	μF/450V	NO.	W	r/min	A	Pa	℃	%	N	dB(A)	
YDWF74L60P4-490N-420	1~220	50	8	A	250	1341	1.11	67	-40~+80	21.48	32.0	68	
YDWF74L60P6-490N-420	1~220	50	6	B	150	892	0.72	38	-40~+75	21.96	21.9	59	
YSWF74L60P4-490N-420	3~380	50	—	C	251	1372	0.57	76	-40~+80	10.35	32.6	68	
YSWF74L60P6-490N-420	3~380	50	—	D	155	910	0.51	45	-40~+75	9.68	21.1	59	

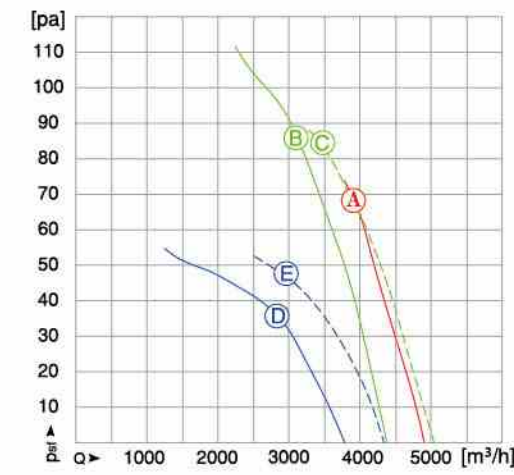
注：性能曲线在安装马尔导风圈时测得。Note: The performance curve is tested with MaEr wall plate.

MaEr Fan Motor

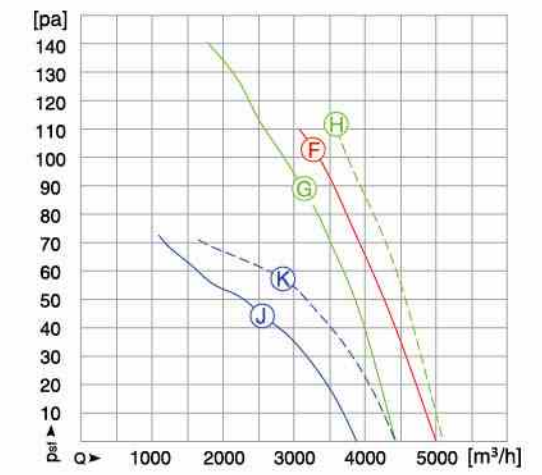
Professional · Honest · Human Oriented



Ø 450 AC AXIAL FAN 外转子轴流风机



动压 / Dynamic pressure: $p_d = 1.83 \times 10^{-6} \times Q^2 (p_a)$



型号 Model	电压 Voltage	频率 Frequency	电容器 Capacitor	曲线 Curve	输入功率 Power	转速 RPM	电流 Current	静压 Psf	环境温度 Temp.	静压效率 ηsf	能效值 EFF.Grade	噪声 Noise	备注 Note
	V	Hz	μF/450V	NO.	W	r/min	A	Pa	℃	%	N	dB(A)	
YDWF74L60P4-□-450	1~220	50	8	A	249	1339	1.13	68	-40~+80	30.47	40.5	69	
YDWF74L60P4-□-450	1~220	50	8	B	249	1362	1.14	86	-40~+80	30.03	40.1	68	
YDWF74L60P4-□-450	1~220	60	8	C	355	1424	1.61	85	-40~+80	22.78	31.8	69	
YDWF74L60P6-□-450	1~220	50	6	D	149	891	0.70	36	-40~+70	19.21	30.7	60	
YDWF74L60P6-□-450	1~220	60	6	E	191	981	0.87	47	-40~+75	20.19	31.0	62	
YSWF74L60P4-□-450	3~380	50	—	F	290	1328	0.59	103	-40~+70	32.36	42.0	69	
YSWF74L60P4-□-450	3~380	50	—	G	240	1371	0.54	91	-40~+80	32.08	41.2	68	
YSWF74L60P4-□-450	3~380	60	—	H	344	1541	0.63	112	-40~+80	32.53	42.7	69	
YSWF74L60P6-□-450	3~380	50	—	J	166	912	0.51	45	-40~+75	19.05	30.2	60	
YSWF74L60P6-□-450	3~380	60	—	K	210	1029	0.46	58	-40~+80	21.60	32.1	62	

注：性能曲线在安装马尔导风圈时测得。Note: The performance curve is tested with MaEr wall plate.

MaEr Fan Motor

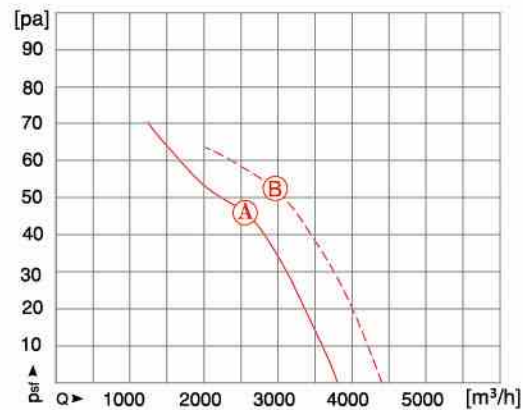
Professional · Honest · Human Oriented



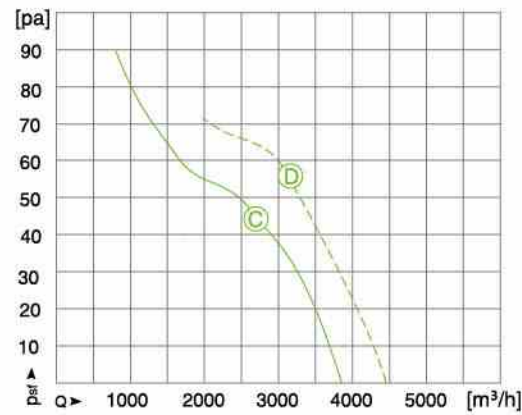
Ø 450 AC AXIAL FAN 外转子轴流风机



叶轮材质: 塑料
Impeller Material: Plastic



动压 / Dynamic pressure: $p_d = 1.83 \times 10^{-6} \times Q^2 (p_a)$



型号 Model	电压 Voltage	频率 Frequency	电容器 Capacitor	曲线 Curve	输入功率 Power	转速 RPM	电流 Current	静压 Psf	环境温度 Temp.	静压效率 ηsf	能效值 EFF.Grade	噪声 Noise	备注 Note
	V	Hz	μF/450V	NO.	W	r/min	A	Pa	℃	%	N	dB(A)	
YDWF74L60P6-□-450-PA	1~220	50	6	A	152	889	0.70	47	-40~+70	21.53	33	58	
		60		B	198	973	0.90	52	-40~+70	21.67	32.4	60	
YSWF74L60P6-□-450-PA	1~380	50	—	C	160	912	0.46	45	-40~+75	21.06	32.3	58	
		60		D	204	1026	0.45	56	-40~+80	23.72	34.3	60	

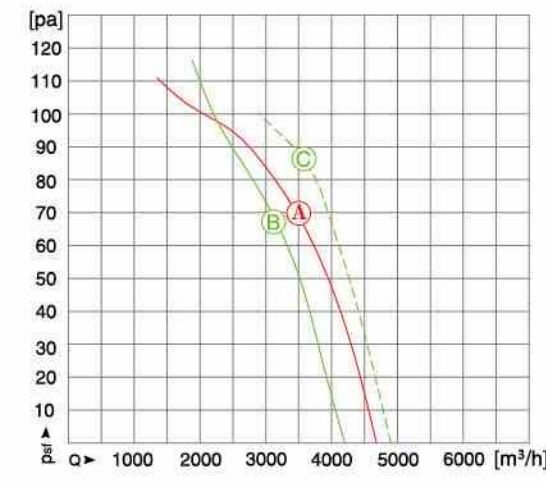
注: 性能曲线在安装马尔导风圈时测得。Note: The performance curve is tested with MaEr wall plate.

MaEr Fan Motor

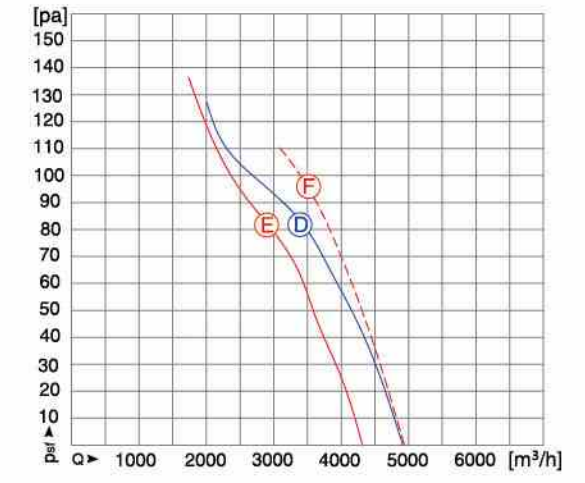
Professional · Honest · Human Oriented



Ø 450 AC AXIAL FAN 外转子轴流风机



动压 / Dynamic pressure: $p_d = 1.83 \times 10^{-6} \times Q^2 (p_a)$



型号 Model	电压 Voltage	频率 Frequency	电容器 Capacitor	曲线 Curve	输入功率 Power	转速 RPM	电流 Current	静压 Psf	环境温度 Temp.	静压效率 ηsf	能效值 EFF.Grade	噪声 Noise	备注 Note
	V	Hz	μF/450V	NO.	W	r/min	A	Pa	℃	%	N	dB(A)	
YDWF74L60P4-□-450-4F	1~220	50	8	A	258	1343	1.17	70	-40~+80	26.16	36.1	72	
YDWF74L60P4-□-450-4F	1~220	50	8	B	225	1385	1.06	67	-40~+80	26.26	36.5	71	
		60		C	315	1553	1.43	89	-40~+80	27.09	36.4	74	
YSWF74L60P4-□-450-4F	3~380	50	—	D	278	1345	0.59	83	-40~+75	28.18	37.9	73	
YSWF74L60P4-□-450-4F	3~380	50	—	E	224	1387	0.54	81	-40~+80	29.54	39.8	71	
		60		F	311	1575	0.58	95	-40~+80	29.84	39.3	74	

注: 性能曲线在安装马尔导风圈时测得。Note: The performance curve is tested with MaEr wall plate.

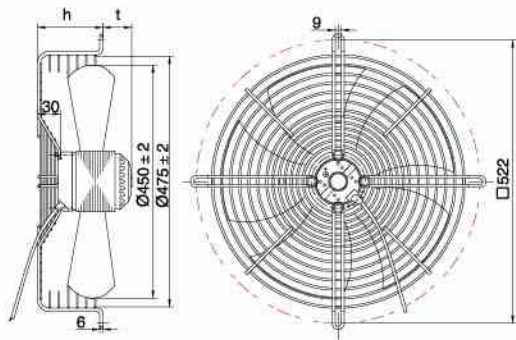
MaEr Fan Motor

Professional · Honest · Human Oriented



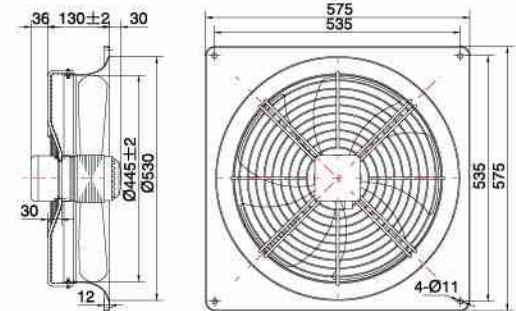
Ø 450 AC AXIAL FAN 外转子轴流风机

□-522N



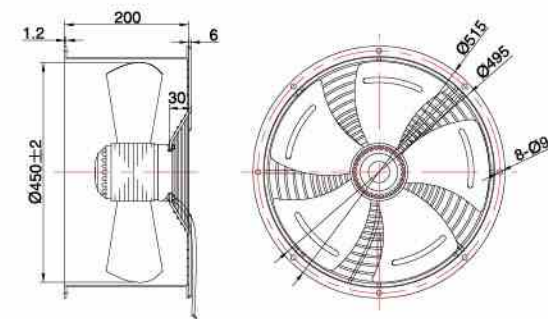
常规凹网罩 Concave grid 522N			低凹网罩 Low concave grid 522N50		
型号 MODEL	h	t	型号 MODEL	h	t
YD(S)WF74L60P4-522N-450	90	70	YD(S)WF74L60P4-522N50-450	50	110
YD(S)WF74L60P6-522N-450	90	70	YD(S)WF74L60P6-522N50-450	50	110

□-535H



带导风圈 Wall plate 535H	
型号 MODEL	
YD(S)WF74L60P4-535H-450	
YD(S)WF74L60P6-535H-450	

□-495NG



带风筒 Air duct 495NG	
型号 MODEL	
YD(S)WF74L60P4-495NG-450	
YD(S)WF74L60P6-495NG-450	

□-其他安装附件 Others

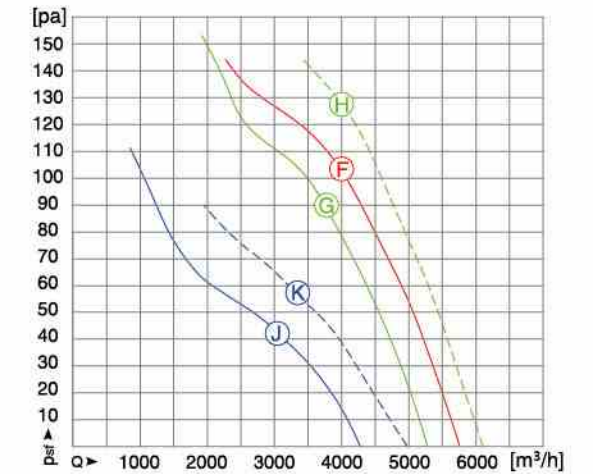
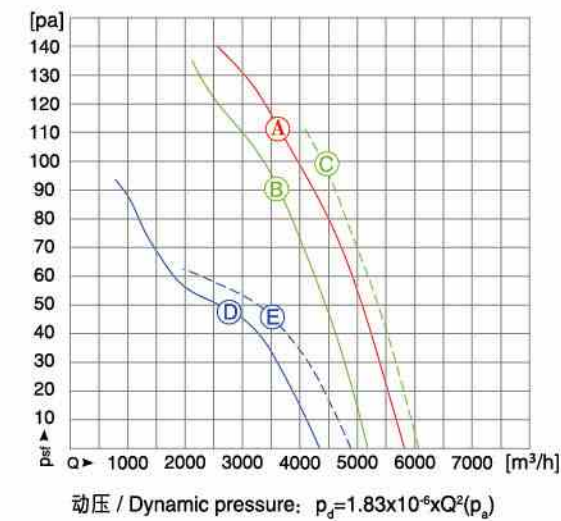
平网罩 Flat screen grid 522P			平板网罩 Flat net grid 522B			凹板网罩 Concave flat grid 522NB		
型号 MODEL	h	t	型号 MODEL	h	t	型号 MODEL	h	t
YD(S)WF74L60P4-522P-450	90	40	YD(S)WF74L60P4-522B-450	—	130	YD(S)WF74L60P4-522NB-450	—	160
YD(S)WF74L60P6-522P-450	90	40	YD(S)WF74L60P6-522B-450	—	130	YD(S)WF74L60P6-522NB-450	—	160

MaEr Fan Motor

Professional · Honest · Human Oriented



Ø 450 AC AXIAL FAN 外转子轴流风机



型号 Model	电压 Voltage	频率 Frequency	电容器 Capacitor	曲线 Curve	输入功率 Power	转速 RPM	电流 Current	静压 Psf	环境温度 Temp.	静压效率 ηsf	能效值 EFF.Grade	噪声 Noise	备注 Note
	V	Hz	μF/450V	NO.	W	r/min	A	Pa	℃	%	N	dB/(A)	
YDWF102L35P4-□-450	1~220	50	10	A	415	1354	1.81	113	-40~+80	27.19	36	71	
YDWF102L35P4-□-450	1~220	50	10	B	316	1386	1.44	91	-40~+85	29.18	38.5	69	
YDWF102L35P4-□-450	1~220	60	10	C	482	1537	2.19	101	-40~+85	25.53	33.7	72	
YDWF102L35P6-□-450	1~220	50	8	D	188	903	0.86	49	-40~+85	19.19	30.1	64	
YDWF102L35P6-□-450	1~220	60	8	E	251	999	1.17	45	-40~+85	17.87	28	66	
YSWF102L35P4-□-450	3~380	50	—	F	391	1365	0.78	103	-40~+85	29.12	38.1	70	
YSWF102L35P4-□-450	3~380	50	—	G	320	1392	0.68	91	-40~+85	29.46	38.8	69	
YSWF102L35P4-□-450	3~380	60	—	H	490	1565	0.85	127	-40~+80	28.96	37.1	72	
YSWF102L35P6-□-450	3~380	50	—	J	191	933	0.51	41	-40~+80	18.74	29.5	64	
YSWF102L35P6-□-450	3~380	60	—	K	269	1059	0.53	57	-40~+80	19.45	29.3	66	

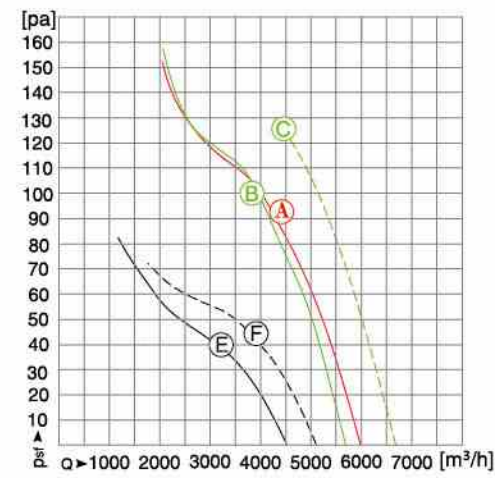
注：性能曲线在安装马尔导风圈时测得。 Note: The performance curve is tested with MaEr wall plate.

MaEr Fan Motor

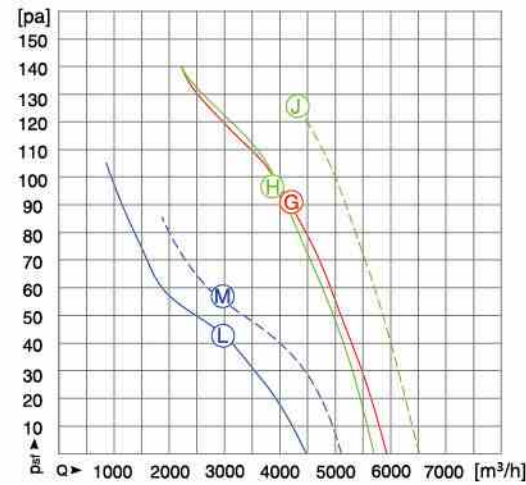
Professional · Honest · Human Oriented



Ø 450 AC AXIAL FAN 外转子轴流风机



动压 / Dynamic pressure: $p_d = 1.83 \times 10^{-6} \times Q^2 (p_a)$



型号 Model	电压 Voltage	频率 Frequency	电容器 Capacitor	曲线 Curve	输入功率 Power	转速 RPM	电流 Current	静压 Psf	环境温度 Temp.	静压效率 ηsf	能效值 EFF.Grade	噪声 Noise	备注 Note
	V	Hz	μF/450V	NO.	W	r/min	A	Pa	℃	%	N	dB(A)	
YDWF102L40P4-□-450	1~220	50	12	A	421	1381	1.92	94	-40~+80	26.01	34.6	72	
YDWF102L40P4-□-450	1~220	50	12	B	389	1430	1.70	103	-40~+80	28.60	37.5	71	
YDWF102L40P4-□-450	1~220	60	12	C	594	1566	2.60	128	-40~+80	26.39	34.1	74	
YDWF102L40P6-□-450	1~220	50	10	E	212	912	0.97	41	-40~+80	16.62	27.1	65	
YDWF102L40P4-□-450	1~220	60	10	F	287	1020	1.35	45	-40~+70	16.47	26.1	66	
YSWF102L40P4-□-450	3~380	50	—	G	400	1365	0.77	91	-40~+80	26.22	35	72	
YSWF102L40P4-□-450	3~380	50	—	H	368	1381	0.75	94	-40~+80	28.55	37.6	71	
YSWF102L40P4-□-450	3~380	60	—	J	562	1546	0.96	126	-40~+75	26.92	34.8	74	
YSWF102L40P6-□-450	3~380	50	—	L	200	930	0.54	43	-40~+80	17.84	28.4	65	
YSWF102L40P6-□-450	3~380	60	—	M	281	1062	0.57	58	-40~+80	18.85	28.5	66	

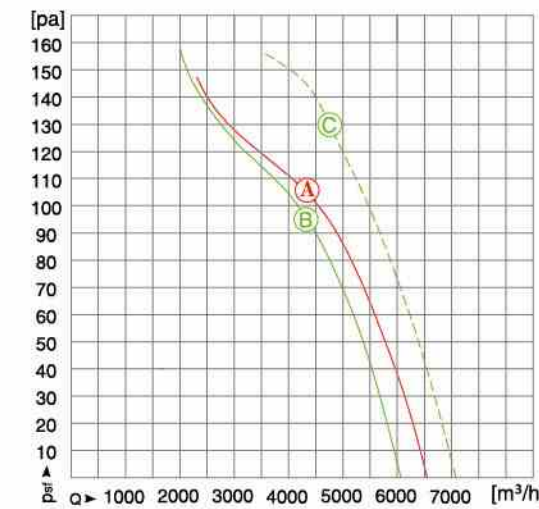
注：性能曲线在安装马尔导风圈时测得。Note: The performance curve is tested with MaEr wall plate.

MaEr Fan Motor

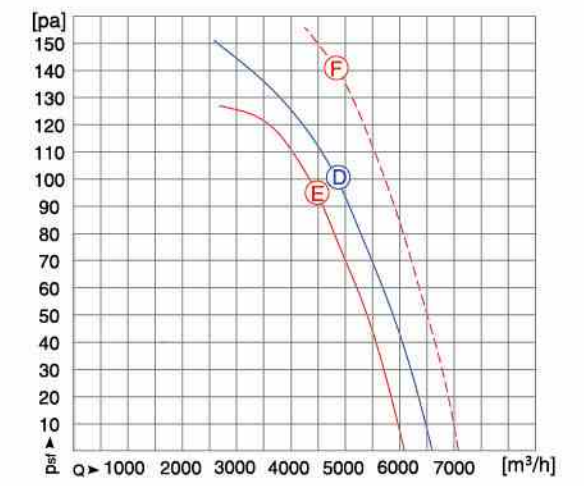
Professional · Honest · Human Oriented



Ø 450 AC AXIAL FAN 外转子轴流风机



动压 / Dynamic pressure: $p_d = 1.83 \times 10^{-6} \times Q^2 (p_a)$



型号 Model	电压 Voltage	频率 Frequency	电容器 Capacitor	曲线 Curve	输入功率 Power	转速 RPM	电流 Current	静压 Psf	环境温度 Temp.	静压效率 ηsf	能效值 EFF.Grade	噪声 Noise	备注 Note
	V	Hz	μF/450V	NO.	W	r/min	A	Pa	℃	%	N	dB(A)	
YDWF102L45P4-□-450	1~220	50	16	A	521	1387	2.36	108	-40~+80	24.03	32	73	
YDWF102L45P4-□-450	1~220	50	16	B	438	1412	2.00	97	-40~+85	26.67	35.1	71	
YDWF102L45P4-□-450	1~220	60	16	C	676	1600	3.09	130	-40~+80	25.33	32.6	74	
YSWF102L45P4-□-450	3~380	50	—	D	498	1404	1.11	102	-40~+80	27.3	35.6	73	
YSWF102L45P4-□-450	3~380	50	—	E	433	1419	1.00	96	-40~+85	27.41	35.9	71	
YSWF102L45P4-□-450	3~380	60	—	F	667	1627	1.18	141	-40~+80	28.00	35.3	74	

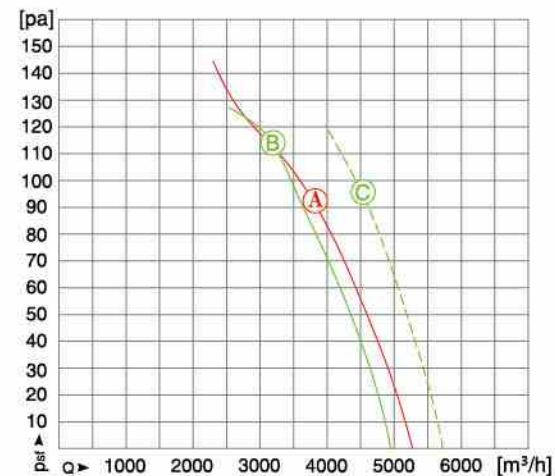
注：性能曲线在安装马尔导风圈时测得。Note: The performance curve is tested with MaEr wall plate.

MaEr Fan Motor

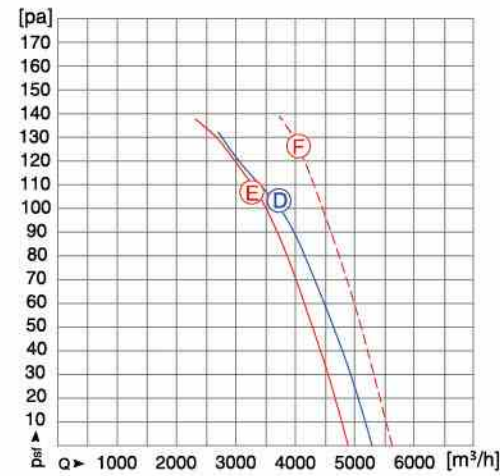
Professional · Honest · Human Oriented



Ø 450 AC AXIAL FAN 外转子轴流风机



动压 / Dynamic pressure: $p_d = 1.83 \times 10^{-6} \times Q^2 (p_a)$

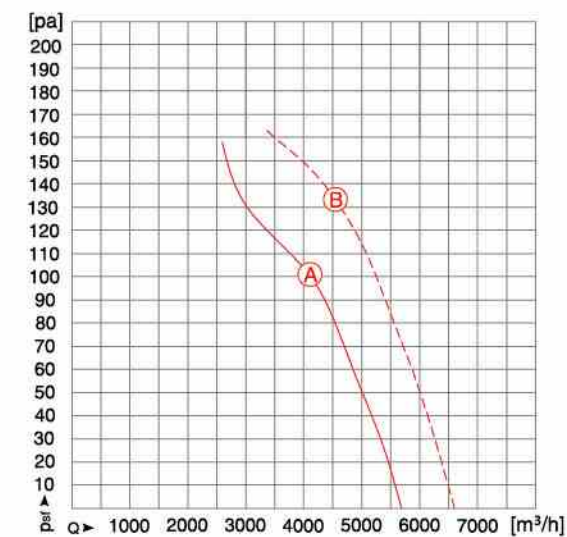


MaEr Fan Motor

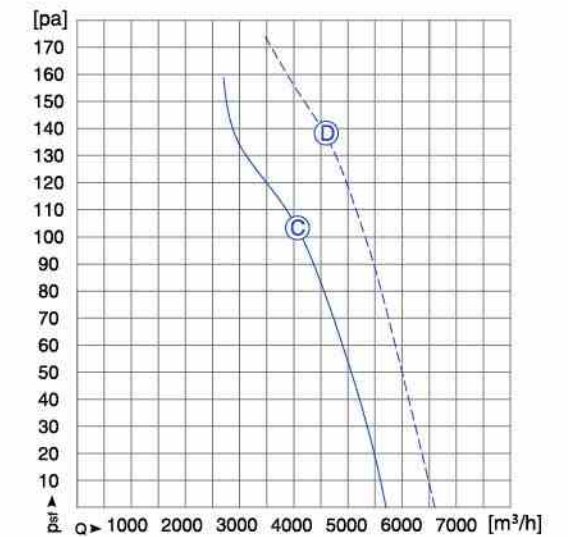
Professional · Honest · Human Oriented



Ø 450 AC AXIAL FAN 外转子轴流风机



动压 / Dynamic pressure: $p_d = 1.83 \times 10^{-6} \times Q^2 (p_a)$



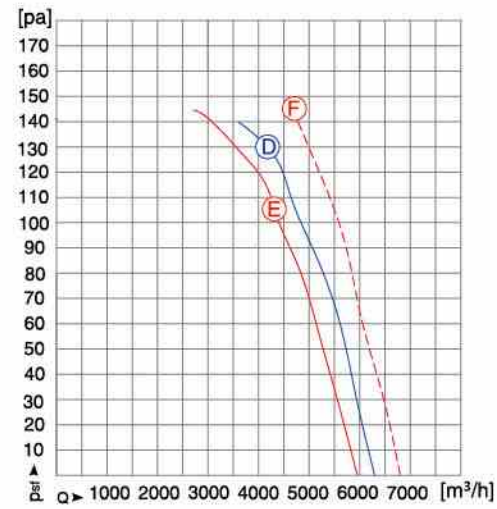
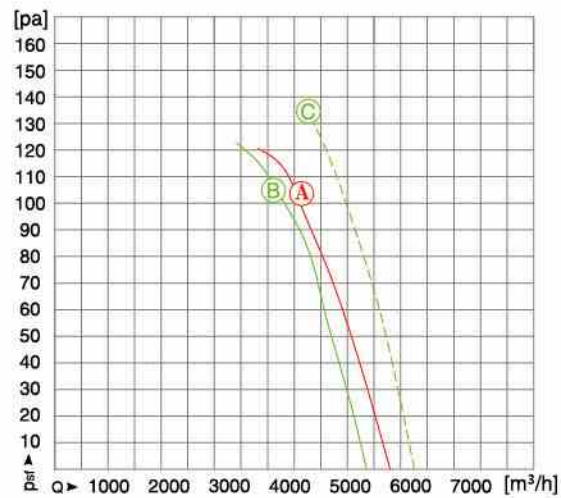
型号 Model	电压 Voltage	频率 Frequency	电容器 Capacitor	曲线 Curve	输入功率 Power	转速 RPM	电流 Current	静压 Psf	环境温度 Temp.	静压效率 ηsf	能效值 EFF.Grade	噪声 Noise	备注 Note
	V	Hz	μF/450V	NO.	W	r/min	A	Pa	℃	%	N	dB(A)	
YDWF102L35P4-□-450-4F	1~220	50	10	A	367	1359	1.67	94	-40~+80	26.69	35.6	73	
YDWF102L35P4-□-450-4F	1~220	50	10	B	323	1384	1.48	114	-40~+85	31.21	40.5	72	
YDWF102L35P4-□-450-4F	1~220	60	10	C	423	1602	1.93	94	-40~+85	27.98	36.5	74	
YSWF102L35P4-□-450-4F	3~380	50	—	D	371	1372	0.74	102	-40~+80	28.02	36.9	73	
YSWF102L35P4-□-450-4F	3~380	50	—	E	319	1397	0.70	106	-40~+85	31.20	40.5	72	
YSWF102L35P4-□-450-4F	3~380	60	—	F	467	1591	0.82	129	-40~+85	30.70	39.0	75	

注：性能曲线在安装马尔导风圈时测得。Note: The performance curve is tested with MaEr wall plate.

型号 Model	电压 Voltage	频率 Frequency	电容器 Capacitor	曲线 Curve	输入功率 Power	转速 RPM	电流 Current	静压 Psf	环境温度 Temp.	静压效率 ηsf	能效值 EFF.Grade	噪声 Noise	备注 Note
	V	Hz	μF/450V	NO.	W	r/min	A	Pa	℃	%	N	dB(A)	
YDWF102L45P4-□-450-4F	1~220	50	16	A	435	1409	2.00	100	-40~+85	26.27	34.8	74	
YDWF102L45P4-□-450-4F	1~220	60	16	B	653	1614	3.00	132	-40~+80	25.72	33.1	76	
YSWF102L45P4-□-450-4F	3~380	50	—	C	428	1413	1.04	104	-40~+85	27.30	35.8	74	
YSWF102L45P4-□-450-4F	3~380	60	—	D	653	1620	1.18	137	-40~+80	26.82	34.2	76	

注：性能曲线在安装马尔导风圈时测得。Note: The performance curve is tested with MaEr wall plate.

Ø 450 AC AXIAL FAN 外转子轴流风机

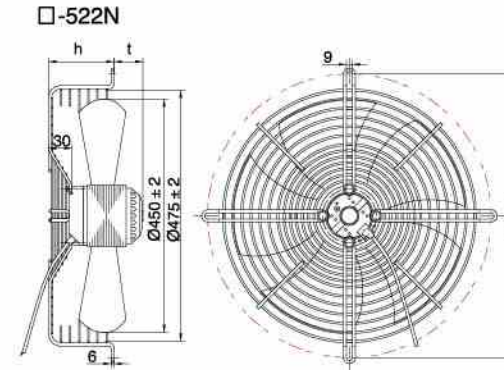


动压 / Dynamic pressure: $p_d = 1.83 \times 10^{-6} \times Q^2 (p_a)$

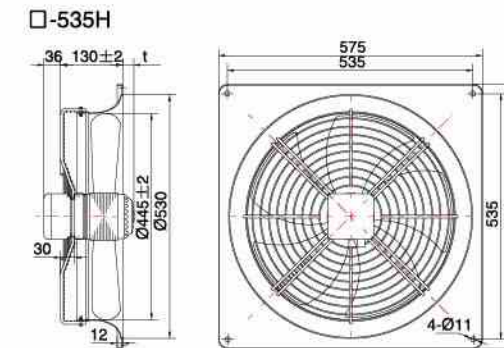
型号 Model	电压 Voltage	频率 Frequency	电容器 Capacitor	曲线 Curve	输入功率 Power	转速 RPM	电流 Current	静压 Psf	环境温度 Temp.	静压效率 ηsf	能效值 EFF.Grade	噪声 Noise	备注 Note
	V	Hz	μF/450V	NO.	W	r/min	A	Pa	°C	%	N	dB(A)	
YDWF102L45P4-□-450-7	1~220	50	16	A	499	1387	2.28	103	-40~+80	26.06	34.2	72	
YDWF102L45P4-□-450-7	1~220	50	16	B	441	1405	2.02	104	-40~+85	27.53	36.0	71	
		60		C	682	1587	3.11	137	-40~+80	26.08	33.4	74	
YSWF102L45P4-□-450-7	3~380	50	—	D	497	1404	1.09	130	-40~+80	30.23	38.5	72	
YSWF102L45P4-□-450-7	3~380	50	—	E	438	1414	1.05	105	-40~+85	28.57	37.1	71	
		60		F	665	1618	1.20	145	-40~+80	28.47	35.8	74	

注：性能曲线在安装马尔导风圈时测得。Note: The performance curve is tested with MaEr wall plate.

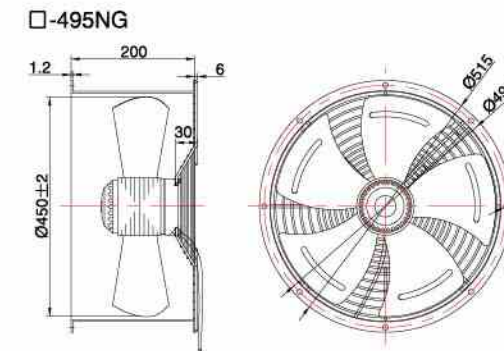
Ø 450 INSTALLATION ACCESSORIES 安装附件



常规凹网罩 Concave grid 522N				低凹网罩 Low concave grid 522N35			
型号 MODEL	h	t		型号 MODEL	h	t	
YD(S)WF102L35P4-522N-450	90	47		YD(S)WF102L35P4-522N35-450	35	102	
YD(S)WF102L35P6-522N-450	90	47		YD(S)WF102L35P6-522N35-450	35	102	
YD(S)WF102L40P4-522N-450	90	52		YD(S)WF102L40P4-522N35-450	35	107	
YD(S)WF102L40P6-522N-450	90	52		YD(S)WF102L40P6-522N35-450	35	107	
YD(S)WF102L45P4-522N-450	90	57		YD(S)WF102L45P4-522N35-450	35	112	
YD(S)WF102L45P6-522N-450	90	57		YD(S)WF102L45P6-522N35-450	35	112	



带导风圈 Wall plate 535H		
型号 MODEL	t	
YD(S)WF102L35P4-535H-450	7	
YD(S)WF102L35P6-535H-450	7	
YD(S)WF102L40P4-535H-450	12	
YD(S)WF102L40P6-535H-450	12	
YD(S)WF102L45P4-535H-450	17	
YD(S)WF102L45P6-535H-450	17	



带风筒 Air duct 495NG	
型号 MODEL	
YD(S)WF102L35P4-495NG-450	
YD(S)WF102L35P6-495NG-450	
YD(S)WF102L40P4-495NG-450	
YD(S)WF102L40P6-495NG-450	
YD(S)WF102L45P4-495NG-450	
YD(S)WF102L45P6-495NG-450	

□-其他安装附件 Others

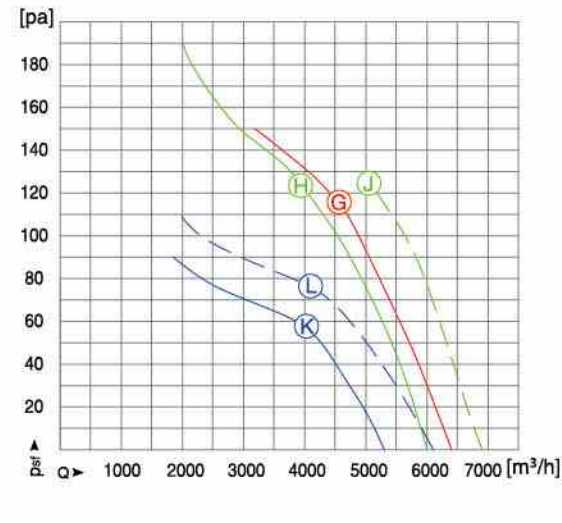
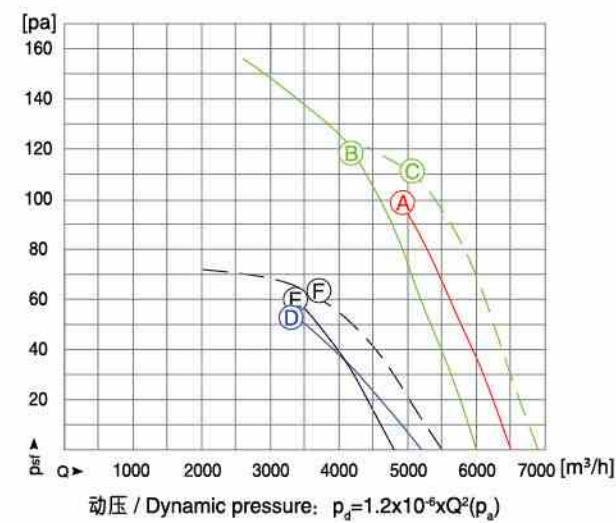
平板网罩 Flat screen grid 522B				凹板网罩 Concave flat grid 522NB			
型号 MODEL	h	t		型号 MODEL	h	t	
YD(S)WF102L35P4-522B-450	—	107		YD(S)WF102L35P4-522NB-450	—	137	
YD(S)WF102L35P6-522B-450	—	107		YD(S)WF102L35P6-522NB-450	—	137	
YD(S)WF102L40P4-522B-450	—	112		YD(S)WF102L40P4-522NB-450	—	142	
YD(S)WF102L40P6-522B-450	—	112		YD(S)WF102L40P6-522NB-450	—	142	
YD(S)WF102L45P4-522B-450	—	117		YD(S)WF102L45P4-522NB-450	—	147	
YD(S)WF102L45P6-522B-450	—	117		YD(S)WF102L45P6-522NB-450	—	147	

MaEr Fan Motor

Professional · Honest · Human Oriented



Ø 500 AC AXIAL FAN 外转子轴流风机



型号 Model	电压 Voltage	频率 Frequency	电容器 Capacitor	曲线 Curve	输入功率 Power	转速 RPM	电流 Current	静压 Psf	环境温度 Temp.	静压效率 ηsf	能效值 EFF.Grade	噪声 Noise	备注 Note
	V	Hz	μF/450V	NO.	W	r/min	A	Pa	℃	%	N	dB(A)	
YDWF102L35P4-□-500	1~220	50	10	A	424	1323	1.92	98	-40~+80	31.56	40.1	70	
YDWF102L35P4-□-500	1~220	50	10	B	380	1347	1.73	119	-40~+85	36.23	45.2	69	
				C	544	1453	2.47	112	-40~+80	28.59	36.5	72	
YDWF102L35P6-□-500	1~220	50	8	D	217	849	0.99	54	-40~+80	23.02	33.5	66	
				E	183	894	0.84	58	-40~+85	29.82	40.7	65	
YDWF102L35P6-□-500	1~220	60	8	F	258	936	1.20	67	-40~+85	23.48	33.4	67	
				G	449	1332	0.83	117	-40~+80	32.47	40.9	70	
YSWF102L35P4-□-500	3~380	50	—	H	410	1353	0.87	122	-40~+85	32.95	41.6	70	
YSWF102L35P4-□-500	3~380	60	—	J	567	1516	1.01	125	-40~+80	31.40	39.2	73	
				K	218	908	0.54	59	-40~+80	30.45	40.8	66	
YSWF102L35P6-□-500	3~380	60	—	L	318	1007	0.60	76	-40~+85	27.80	37.2	68	
				M									

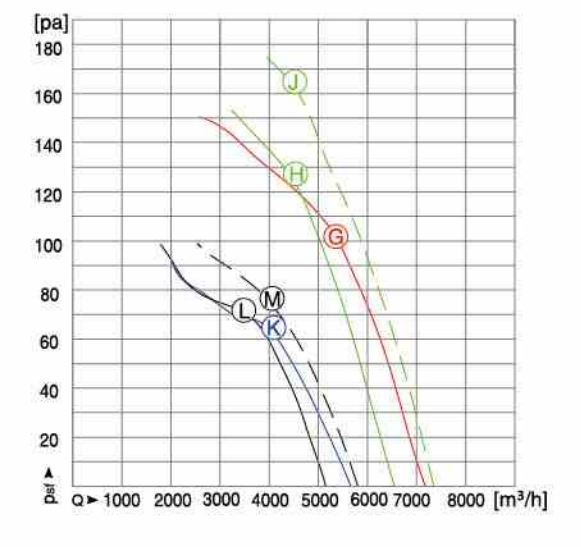
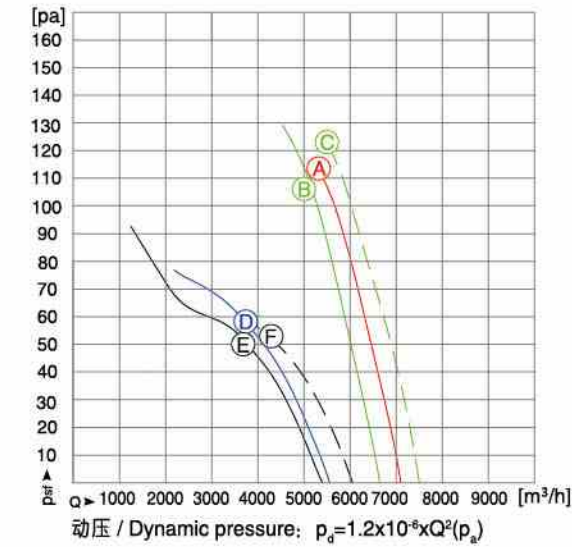
注：性能曲线在安装马尔导风圈时测得。Note: The performance curve is tested with MaEr wall plate.

MaEr Fan Motor

Professional · Honest · Human Oriented



Ø 500 AC AXIAL FAN 外转子轴流风机



型号 Model	电压 Voltage	频率 Frequency	电容器 Capacitor	曲线 Curve	输入功率 Power	转速 RPM	电流 Current	静压 Psf	环境温度 Temp.	静压效率 ηsf	能效值 EFF.Grade	噪声 Noise	备注 Note
	V	Hz	μF/450V	NO.	W	r/min	A	Pa	℃	%	N	dB(A)	
YDWF102L40P4-□-500	1~220	50	12	A	513	1345	2.33	114	-40~+65	32.6	40.7	71	
YDWF102L40P4-□-500	1~220	50	12	B	468	1380	2.22	109	-40~+85	33.08	41	71	
				C	731	1488	3.36	122	-40~+60	25.63	33	73	
YDWF102L40P6-□-500	1~220	50	10	D	246	880	1.12	57	-40~+70	24.34	34.4	66	
YDWF102L40P6-□-500	1~220	50	10	E	240	898	1.09	50	-40~+70	21.67	31.8	66	
				F	330	958	1.51	54	-40~+75	18.95	28.2	68	
YSWF102L40P4-□-500	3~380	50	—	G	504	1329	0.90	102	-40~+65	29.95	38	71	
YSWF102L40P4-□-500	3~380	50	—	H	451	1347	0.83	127	-40~+80	34.56	43	71	
				J	688	1484	1.16	164	-40~+60	29.51	37	73	
YSWF102L40P6-□-500	3~380	50	—	K	248	918	0.60	66	-40~+70	28.79	38.8	66	
YSWF102L40P6-□-500	3~380	50	—	L	214	934	0.58	71	-40~+80	34.54	42	66	
				M	288	1072	0.58	76	-40~+80	29.27	39	68	

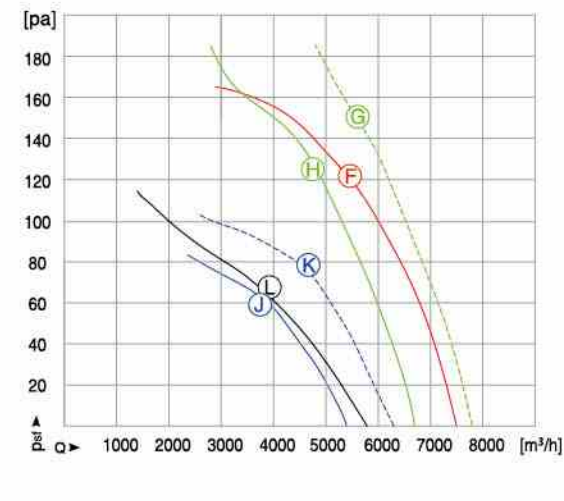
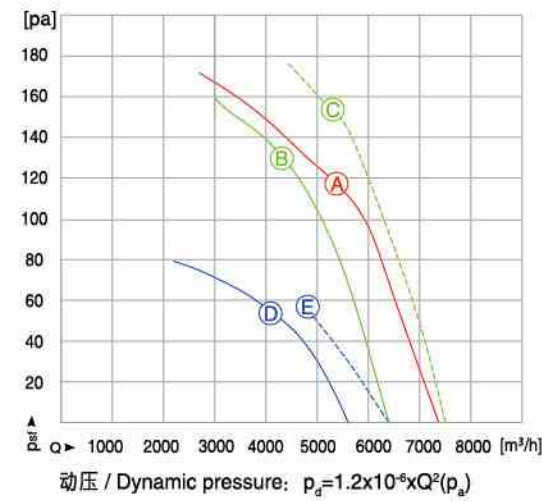
注：性能曲线在安装马尔导风圈时测得。Note: The performance curve is tested with MaEr wall plate.

MaEr Fan Motor

Professional · Honest · Human Oriented



Ø 500 AC AXIAL FAN 外转子轴流风机



型号 Model	电压 Voltage	频率 Frequency	电容器 Capacitor	曲线 Curve	输入功率 Power	转速 RPM	电流 Current	静压 Psf	环境温度 Temp.	静压效率 ηsf	能效值 EFF.Grade	噪声 Noise	备注 Note
	V	Hz	μF/450V	NO.	W	r/min	A	Pa	℃	%	N	dB/(A)	
YDWF102L45P4-□-500	1~220	50	16	A	546	1381	2.50	119	-40~+70	32.74	40.6	72	
YDWF102L45P4-□-500	1~220	50	16	B	441	1404	2.01	134	-40~+75	36.55	45.0	71	
YDWF102L45P4-□-500	1~220	60	16	C	664	1590	3.04	152	-40~+65	33.49	40.8	73	
YDWF102L45P6-□-500	1~220	50	10	D	246	911	1.11	56	-40~+75	25.56	35.6	66	
YDWF102L45P6-□-500	1~220	60	10	E	350	998	1.60	58	-40~+60	21.36	30.4	69	
YSWF102L45P4-□-500	3~380	50	—	F	548	1381	1.10	121	-40~+75	32.58	40.4	72	
YSWF102L45P4-□-500	3~380	50	—	H	471	1404	1.02	126	-40~+80	35.58	43.8	71	
YSWF102L45P4-□-500	3~380	60	—	G	705	1602	1.23	152	-40~+80	33.95	41.1	74	
YSWF102L45P6-□-500	3~380	50	—	L	257	929	0.69	64	-40~+75	27.20	37.1	68	
YSWF102L45P6-□-500	3~380	50	—	J	224	939	0.66	62	-40~+80	29.83	40.1	66	
YSWF102L45P6-□-500	3~380	60	—	K	317	1078	0.67	80	-40~+80	31.08	40.5	69	

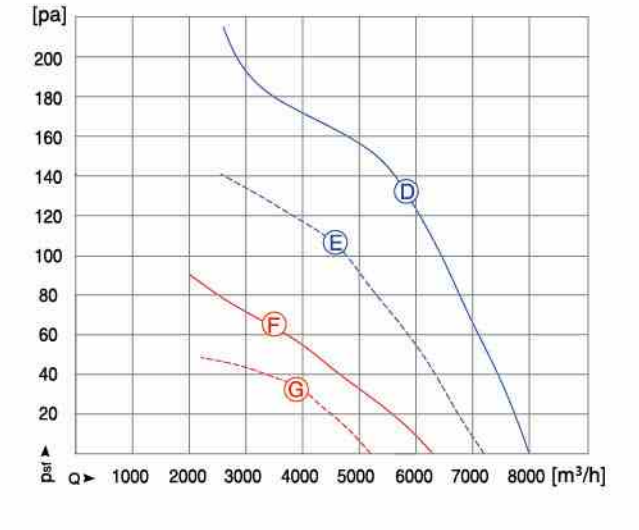
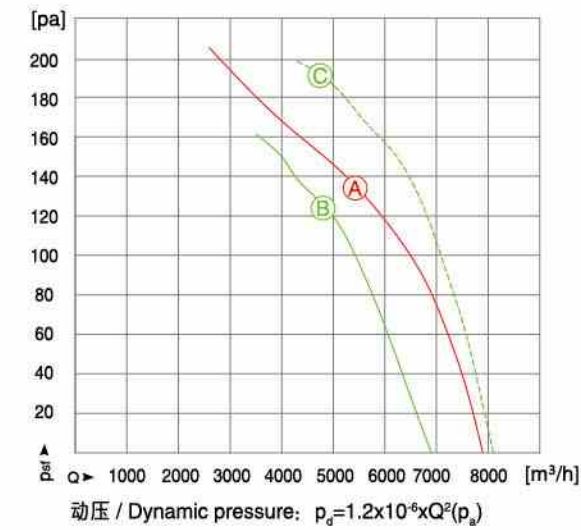
注：性能曲线在安装马尔导风圈时测得。Note: The performance curve is tested with MaEr wall plate.

MaEr Fan Motor

Professional · Honest · Human Oriented



Ø 500 AC AXIAL FAN 外转子轴流风机



型号 Model	电压 Voltage	频率 Frequency	电容器 Capacitor	曲线 Curve	输入功率 Power	转速 RPM	电流 Current	静压 Psf	环境温度 Temp.	静压效率 ηsf	能效值 EFF.Grade	噪声 Noise	备注 Note
	V	Hz	μF/450V	NO.	W	r/min	A	Pa	℃	%	N	dB/(A)	
YDWF102L50P4-□-500	1~220	50	16	A	643	1372	3.00	131	-40~+70	30.78	38.2	73	
YDWF102L50P4-□-500	1~220	50	16	B	495	1411	2.36	125	-40~+85	34.10	42.2	71	
YDWF102L50P4-□-500	1~220	60	16	C	764	1612	3.38	193	-40~+75	33.95	41.0	73	
YSWF102L50P4-□-500	3~380△	50	—	D	645	1393	1.37	132	-40~+70	33.16	40.6	73	
YSWF102L50P4-□-500	3~380Y	50	—	E	511	1192	0.84	107	-40~+60	26.54	34.6	68	
YSWF102L50P6-□-500	3~380△	50	—	F	313	901	0.66	68	-40~+90	22.34	31.7	65	
YSWF102L50P6-□-500	3~380Y	50	—	G	217	733	0.37	34	-40~+80	16.72	27.1	63	

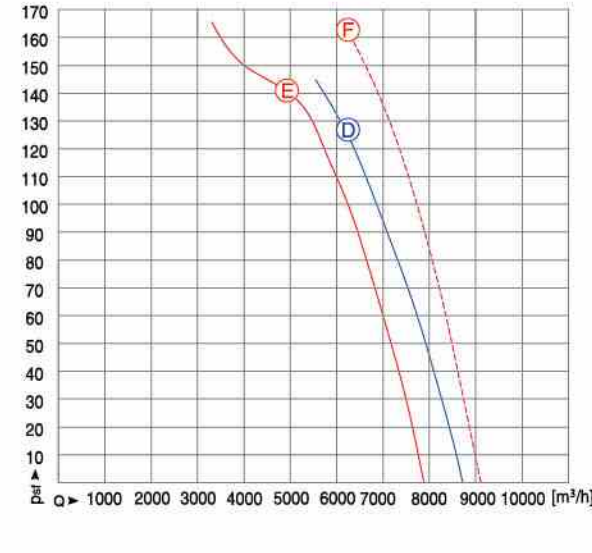
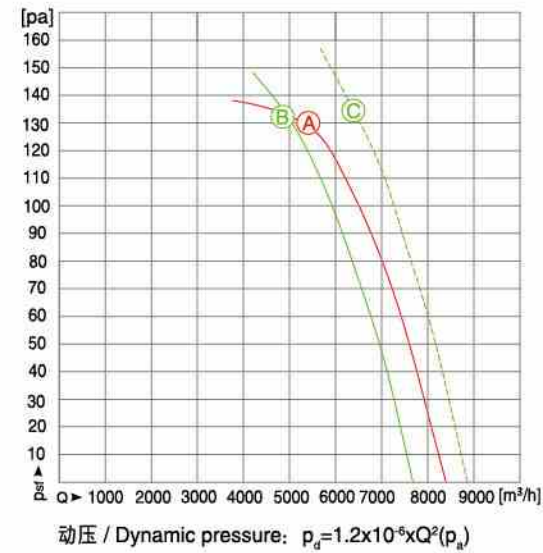
注：性能曲线在安装马尔导风圈时测得。Note: The performance curve is tested with MaEr wall plate.

MaEr Fan Motor

Professional · Honest · Human Oriented



Ø 500 AC AXIAL FAN 外转子轴流风机



型号 Model	电压 Voltage	频率 Frequency	电容器 Capacitor	曲线 Curve	输入功率 Power	转速 RPM	电流 Current	静压 Psf	环境温度 Temp.	静压效率 ηsf	能效值 EFF.Grade	噪声 Noise	备注 Note
	V	Hz	μF/450V	NO.	W	r/min	A	Pa	℃	%	N	dB(A)	
YDWF102L60P4-□-500	1~220	50	20	A	710	1364	3.23	131	-40~+70	27.04	34.2	73	
YDWF102L60P4-□-500	1~220	50	20	B	591	1402	2.69	133	-40~+80	30.82	38.5	72	
YDWF102L60P4-□-500	1~220	60	20	C	897	1566	4.10	135	-40~+65	36.64	33.2	75	
YSWF102L60P4-□-500	3~380	50	—	D	733	1369	1.37	127	-40~+70	29.72	36.8	73	
YSWF102L60P4-□-500	3~380	50	—	E	616	1401	1.26	141	-40~+80	31.11	38.7	72	
YSWF102L60P4-□-500	3~380	60	—	F	948	1594	1.62	165	-40~+65	29.82	36.2	75	

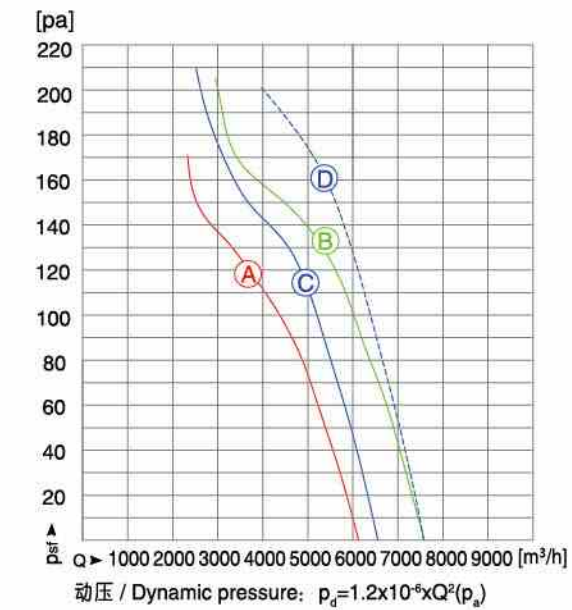
注：性能曲线在安装马尔导风圈时测得。Note: The performance curve is tested with MaEr wall plate.

MaEr Fan Motor

Professional · Honest · Human Oriented



Ø 500 AC AXIAL FAN 外转子轴流风机



型号 Model	电压 Voltage	频率 Frequency	电容器 Capacitor	曲线 Curve	输入功率 Power	转速 RPM	电流 Current	静压 Psf	环境温度 Temp.	静压效率 ηsf	能效值 EFF.Grade	噪声 Noise	备注 Note
	V	Hz	μF/450V	NO.	W	r/min	A	Pa	℃	%	N	dB(A)	
YSWF102L35P4-□-500-4F	3~380	50	—	A	419	1353	0.80	117	-40~+65	30.24	38.8	74	
YSWF102L45P4-□-500-4F	3~380	50	—	B	610	1408	1.43	133	-40~+80	31.22	39	76	
YSWF102L45P4-□-500-4F	3~380	50	—	C	468	1407	1.05	116	-40~+85	33.93	42.3	75	
YSWF102L45P4-□-500-4F	3~380	60	—	D	725	1601	1.27	162	-40~+70	33.29	40.4	78	

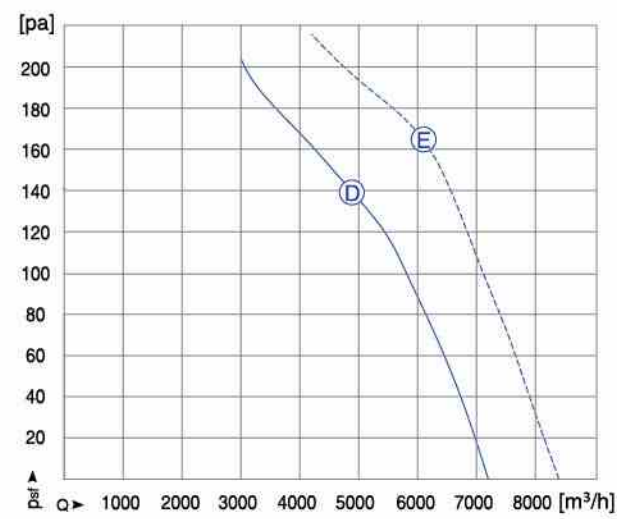
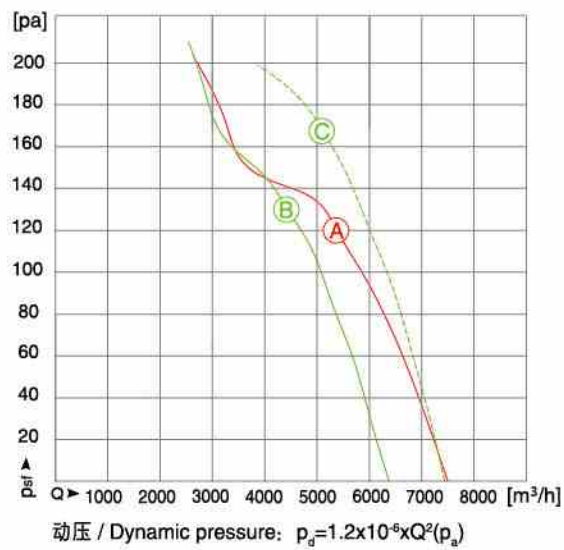
注：性能曲线在安装马尔导风圈时测得。Note: The performance curve is tested with MaEr wall plate.

MaEr Fan Motor

Professional · Honest · Human Oriented



Ø 500 AC AXIAL FAN 外转子轴流风机



型号 Model	电压 Voltage	频率 Frequency	电容器 Capacitor	曲线 Curve	输入功率 Power	转速 RPM	电流 Current	静压 Psf	环境温度 Temp.	静压效率 ηsf	能效值 EFF.Grade	噪声 Noise	备注 Note
	V	Hz	μF/450V	NO.	W	r/min	A	Pa	℃	%	N	dB(A)	
YDWF102L50P4-□-500-4F	1~220	50	16	A	603	1379	2.74	121	-40~+70	29.73	37.4	73	
YDWF102L50P4-□-500-4F	1~220	50	16	B	482	1414	2.20	130	-40~+85	33.21	41.5	73	
		60		C	745	1615	3.40	168	-40~+75	31.94	39	76	
YSWF102L50P4-□-500-4F	3~380	50	—	D	541	1408	1.14	139	-40~+85	34.84	42.7	74	
		60		E	820	1614	1.40	164	-40~+75	34.10	40.9	77	

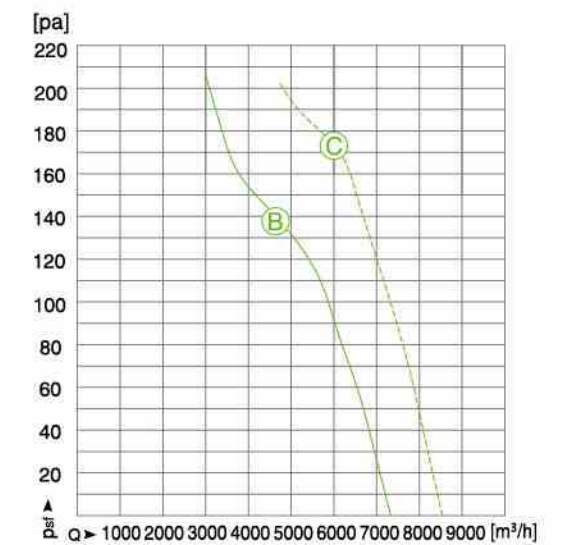
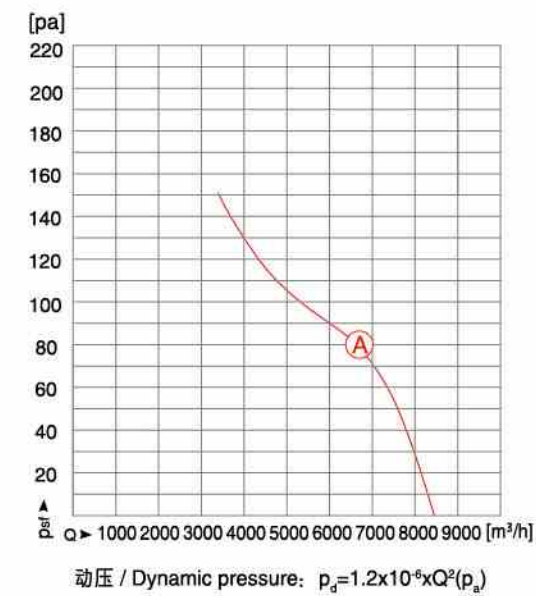
注：性能曲线在安装马尔导风圈时测得。Note: The performance curve is tested with MaEr wall plate.

MaEr Fan Motor

Professional · Honest · Human Oriented



Ø 500 AC AXIAL FAN 外转子轴流风机



型号 Model	电压 Voltage	频率 Frequency	电容器 Capacitor	曲线 Curve	输入功率 Power	转速 RPM	电流 Current	静压 Psf	环境温度 Temp.	静压效率 ηsf	能效值 EFF.Grade	噪声 Noise	备注 Note
	V	Hz	μF/450V	NO.	W	r/min	A	Pa	℃	%	N	dB(A)	
YSWF102L60P4-□-500-4F	3~380	50	—	A	751	1400	1.60	84	-40~+70	20.02	27	75	
YSWF102L60P4-□-500-4F	3~380	50	—	B	591	1422	1.38	132	-40~+80	32.18	39.9	74	
		60		C	891	1642	1.60	175	-40~+70	32.41	39	79	

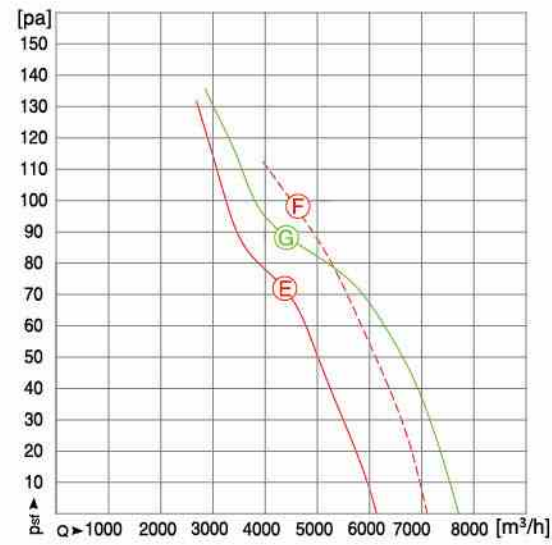
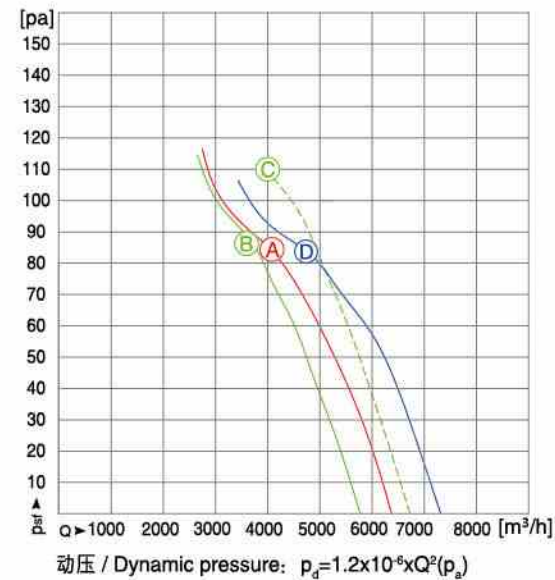
注：性能曲线在安装马尔导风圈时测得。Note: The performance curve is tested with MaEr wall plate.

MaEr Fan Motor

Professional · Honest · Human Oriented



Ø 500 AC AXIAL FAN 外转子轴流风机



型号 Model	电压 Voltage	频率 Frequency	电容器 Capacitor	曲线 Curve	输入功率 Power	转速 RPM	电流 Current	静压 Psf	环境温度 Temp.	静压效率 ηsf	能效值 EFF.Grade	噪声 Noise	备注 Note
	V	Hz	μF/450V	NO.	W	r/min	A	Pa	℃	%	N	dB(A)	
YDWF102L35P4-□-500-7F	1~220	50	10	(A)	366	1366	1.66	85	-40~+70	25.96	34.9	73	
YDWF102L35P4-□-500-7F	1~220	50	10	(B)	312	1393	1.43	87	-40~+85	28.52	37.9	72	
YDWF102L35P4-□-500-7F	1~220	60	10	(C)	490	1540	2.22	110	-40~+65	24.76	32.9	74	
YDWF102L40P4-□-500-7F	1~220	50	12	(D)	466	1368	2.11	83	-40~+70	23.73	32.1	74	
YDWF102L40P4-□-500-7F	1~220	50	12	(E)	344	1405	1.57	73	-40~+85	25.37	34.6	72	
YDWF102L40P4-□-500-7F	1~220	60	12	(F)	530	1580	2.43	98	-40~+65	23.58	31.6	75	
YDWF102L45P4-□-500-7F	1~220	50	16	(G)	515	1386	2.34	87	-40~+75	22.60	30.7	75	

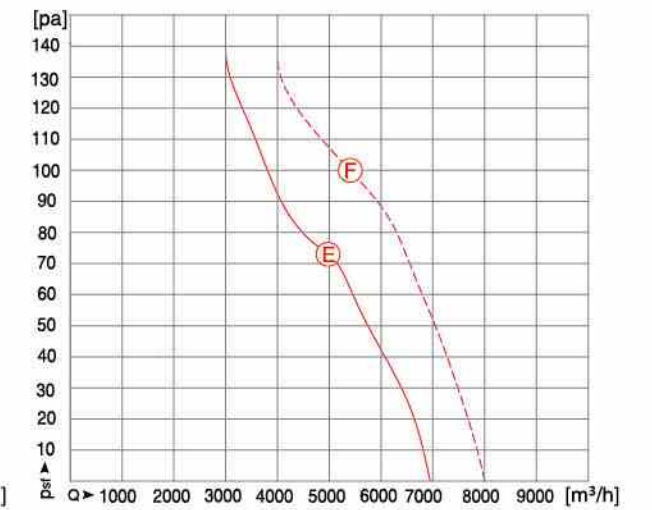
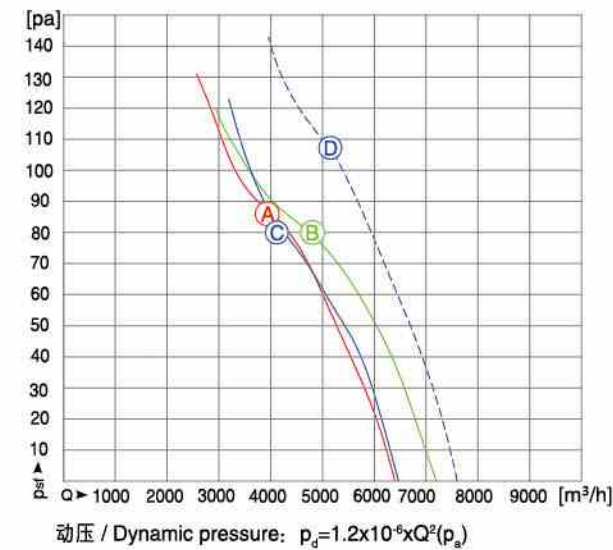
注：性能曲线在安装马尔导风圈时测得。Note: The performance curve is tested with MaEr wall plate.

MaEr Fan Motor

Professional · Honest · Human Oriented



Ø 500 AC AXIAL FAN 外转子轴流风机



型号 Model	电压 Voltage	频率 Frequency	电容器 Capacitor	曲线 Curve	输入功率 Power	转速 RPM	电流 Current	静压 Psf	环境温度 Temp.	静压效率 ηsf	能效值 EFF.Grade	噪声 Noise	备注 Note
	V	Hz	μF/450V	NO.	W	r/min	A	Pa	℃	%	N	dB(A)	
YSWF102L35P4-□-500-7F	3~380	50	—	(A)	380	1374	0.75	86	-40~+75	25.30	34.2	73	
YSWF102L40P4-□-500-7F	3~380	50	—	(B)	445	1354	0.83	80	-40~+75	23.68	32.1	74	
YSWF102L45P4-□-500-7F	3~380	50	—	(C)	386	1429	0.96	83	-40~+80	24.55	33.4	73	
YSWF102L45P4-□-500-7F	3~380	60	—	(D)	582	1659	1.07	107	-40~+75	26.29	34.0	76	
YSWF102L50P4-□-500-7F	3~380	50	—	(E)	419	1410	0.91	73	-40~+80	24.11	32.8	73	
YSWF102L50P4-□-500-7F	3~380	60	—	(F)	641	1609	1.12	100	-40~+75	23.33	30.8	76	

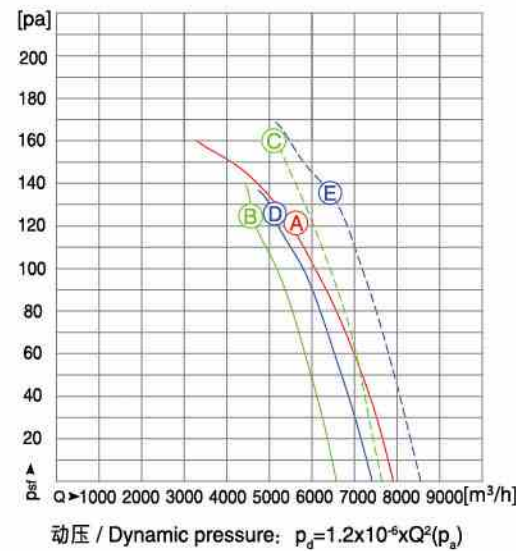
注：性能曲线在安装马尔导风圈时测得。Note: The performance curve is tested with MaEr wall plate.

MaEr Fan Motor

Professional · Honest · Human Oriented



Ø 500 AC AXIAL FAN 外转子轴流风机



型号 Model	电压 Voltage	频率 Frequency	电容器 Capacitor	曲线 Curve	输入功率 Power	转速 RPM	电流 Current	静压 Psf	环境温度 Temp.	静压效率 ηsf	能效值 EFF.Grade	噪声 Noise	备注 Note
	V	Hz	μF/450V	NO.	W	r/min	A	Pa	℃	%	N	dB(A)	
YDWF102L50P4-□-500-7	1~220	50	16	A	661	1356	3.00	124	-40~+70	28.08	35.5	73	
YDWF102L50P4-□-500-7	1~220	50	16	B	508	1407	2.31	126	-40~+75	31.70	39.8	71	
				C	793	1584	3.61	159	-40~+75	29.12	36	74	
YDWF102L60P4-□-500-7	1~220	50	20	D	583	1399	2.65	123	-40~+75	30.08	37.8	72	
				E	883	1578	4.05	136	-40~+75	27.39	34	75	

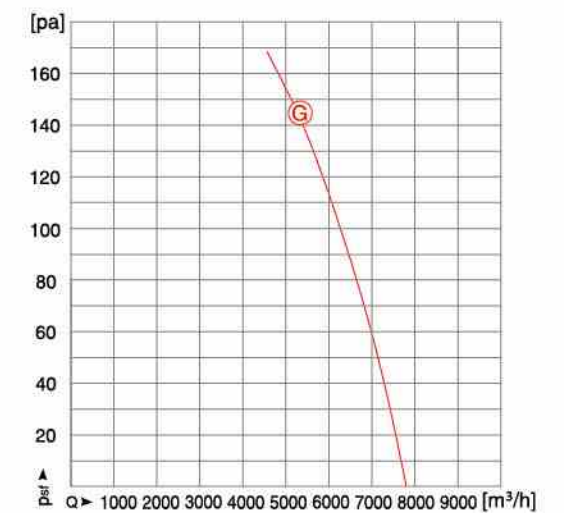
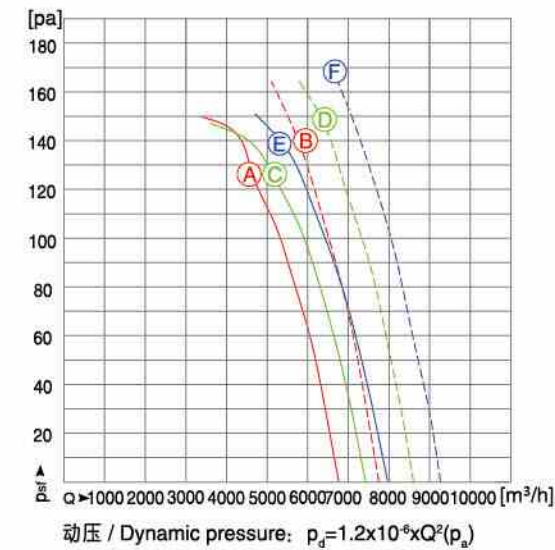
注：性能曲线在安装马尔导风圈时测得。Note: The performance curve is tested with MaEr wall plate.

MaEr Fan Motor

Professional · Honest · Human Oriented



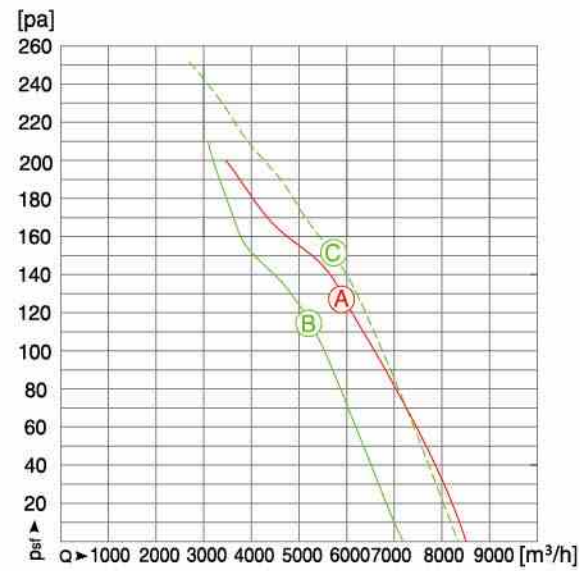
Ø 500 AC AXIAL FAN 外转子轴流风机



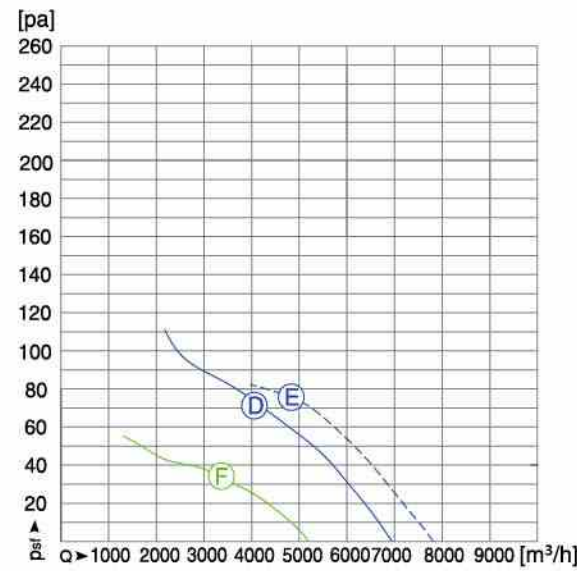
型号 Model	电压 Voltage	频率 Frequency	电容器 Capacitor	曲线 Curve	输入功率 Power	转速 RPM	电流 Current	静压 Psf	环境温度 Temp.	静压效率 ηsf	能效值 EFF.Grade	噪声 Noise	备注 Note
	V	Hz	μF/450V	NO.	W	r/min	A	Pa	℃	%	N	dB(A)	
YSWF102L50P4-□-500-7	3~380	50	—	A	507	1407	1.00	128	-40~+80	32.31	40.4	71	
				B	741	1604	1.26	141	-40~+75	30.31	37.4	74	
YSWF102L60P4-□-500-7	3~380	50	—	C	582	1407	1.23	127	-40~+80	31.02	38.8	72	
				D	883	1608	1.52	149	-40~+75	29.70	36.3	75	
YSWF102L70P4-□-500-7	3~380	50	—	E	664	1418	1.50	137	-40~+80	31.33	38.7	74	
				F	1027	1627	1.82	171	-40~+75	30.31	36.6	77	
YSWF102L50P4-□-500-7	3~380	50	—	G	661	1401	1.44	145	-40~+70	32.71	40.1	72	

注：性能曲线在安装马尔导风圈时测得。Note: The performance curve is tested with MaEr wall plate.

Ø 500 AC AXIAL FAN 外转子轴流风机



动压 / Dynamic pressure: $p_d = 0.82 \times 10^{-6} \times Q^2 (p_a)$

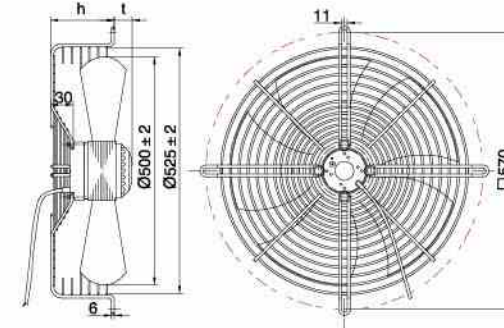


型号 Model	电压 Voltage	频率 Frequency	电容器 Capacitor	曲线 Curve	输入功率 Power	转速 RPM	电流 Current	静压 Psf	环境温度 Temp.	静压效率 ηsf	能效值 EFF.Grade	噪声 Noise	备注 Note
	V	Hz	μF/450V	NO.	W	r/min	A	Pa	°C	%	N	dB(A)	
YDWF102L50P4-□-550	1~220	50	16	A	639	1361	2.90	126	-40~+70	32.8	40.2	74	
YDWF102L50P4-□-550	1~220	50	16	B	516	1408	2.44	116	-40~+85	32.5	40.6	73	
				C	808	1587	3.68	150	-40~+70	29.5	36.3	76	
YDWF102L50P6-□-550	1~220	50	12	D	348	897	1.59	72	-40~+70	23.85	33	69	
				E	460	985	2.24	75	-40~+60	20.31	28.5	70	
YDWF102L50P8-□-550	1~220	50	8	F	183	656	0.83	33	-40~+80	16.99	28	60	

注：性能曲线在安装马尔导风圈时测得。Note: The performance curve is tested with MaEr wall plate.

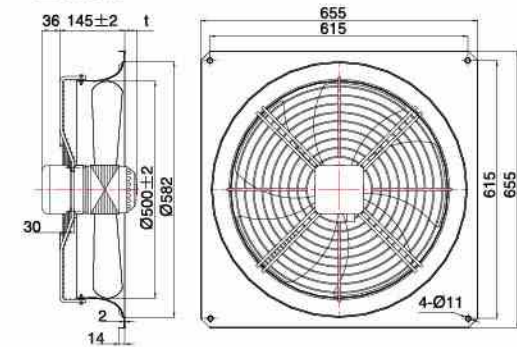
Ø 500 INSTALLATION ACCESSORIES 安装附件

□-570N



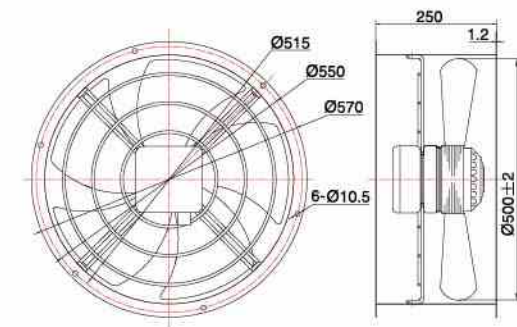
常规凹网罩 Concave grid 570N			低凹网罩 Low concave grid 570N40		
型号 MODEL	h	t	型号 MODEL	h	t
YD(S)WF102L35P4-570N-500	90	47	YD(S)WF102L35P4-570N40-500	40	97
YD(S)WF102L35P6-570N-500	90	47	YD(S)WF102L35P6-570N40-500	40	97
YD(S)WF102L40P4-570N-500	90	52	YD(S)WF102L40P4-570N40-500	40	102
YD(S)WF102L40P6-570N-500	90	52	YD(S)WF102L40P6-570N40-500	40	102
YD(S)WF102L45P4-570N-500	90	57	YD(S)WF102L45P4-570N40-500	40	107
YD(S)WF102L45P6-570N-500	90	57	YD(S)WF102L45P6-570N40-500	40	107
YSWF102L45P8-570N-500	90	57	YSWF102L45P8-570N40-500	40	107
YD(S)WF102L50P4-570N-500	90	62	YD(S)WF102L50P4-570N40-500	40	112
YSWF102L50P6-570N-500	90	62	YSWF102L50P6-570N40-500	40	112
YD(S)WF102L60P4-570N-500	90	72	YD(S)WF102L60P4-570N40-500	40	122

□-615H



带导风圈 Wall plate 615H		t
型号 MODEL		
YD(S)WF102L35P4-615H-500	—	—
YD(S)WF102L35P6-615H-500	—	—
YD(S)WF102L40P4-615H-500	—	—
YD(S)WF102L40P6-615H-500	3	—
YD(S)WF102L45P4-615H-500	3	—
YD(S)WF102L45P6-615H-500	3	—
YSWF102L45P8-615H-500	8	—
YD(S)WF102L50P4-615H-500	8	—
YSWF102L50P6-615H-500	18	—
YD(S)WF102L60P4-615H-500	28	—

□-545G



带风筒 Air duct 545G	
型号 MODEL	
YD(S)WF102L35P4-545G-500	—
YD(S)WF102L35P6-545G-500	—
YD(S)WF102L40P4-545G-500	—
YD(S)WF102L40P6-545G-500	—
YD(S)WF102L45P4-545G-500	—
YD(S)WF102L45P6-545G-500	—
YSWF102L45P8-545G-500	—
YD(S)WF102L50P4-545G-500	—
YSWF102L50P6-545G-500	—
YD(S)WF102L60P4-545G-500	—

□-其他安装附件 Others

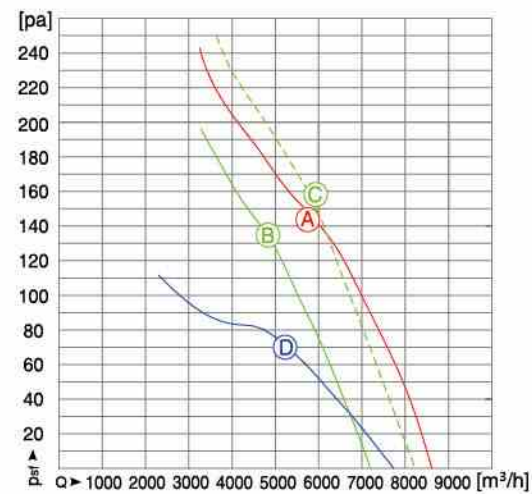
平网罩 Flat screen grid 570P			平板网罩 Flat net grid 570B			凹板网罩 Concave flat grid 570NB		
型号 MODEL	h	t	型号 MODEL	h	t	型号 MODEL	h	t
YD(S)WF102L35P4-570P-500	90	17	YD(S)WF102L35P4-570B-500	—	107	YD(S)WF102L35P4-570NB-500	—	137
YD(S)WF102L35P6-570P-500	90	17	YD(S)WF102L35P6-570B-500	—	107	YD(S)WF102L35P6-570NB-500	—	137
YD(S)WF102L40P4-570P-500	90	22	YD(S)WF102L40P4-570B-500	—	112	YD(S)WF102L40P4-570NB-500	—	142
YD(S)WF102L40P6-570P-500	90	22	YD(S)WF102L40P6-570B-500	—	112	YD(S)WF102L40P6-570NB-500	—	142
YD(S)WF102L45P4-570P-500	90	27	YD(S)WF102L45P4-570B-500	—	117	YD(S)WF102L45P4-570NB-500	—	147
YD(S)WF102L45P6-570P-500	90	27	YD(S)WF102L45P6-570B-500	—	117	YD(S)WF102L45P6-570NB-500	—	147
YSWF102L45P8-570P-500	90	27	YSWF102L45P8-570B-500	—	117	YSWF102L45P8-570NB-500	—	147
YD(S)WF102L50P4-570P-500	90	32	YD(S)WF102L50P4-570B-500	—	122	YD(S)WF102L50P4-570NB-500	—	152
YSWF102L50P6-570P-500	90	32	YSWF102L50P6-570B-500	—	122	YSWF102L50P6-570NB-500	—	152
YD(S)WF102L60P4-570P-500	90	42	YD(S)WF102L60P4-570B-500	—	132	YD(S)WF102L60P4-570NB-500	—	162

MaEr Fan Motor

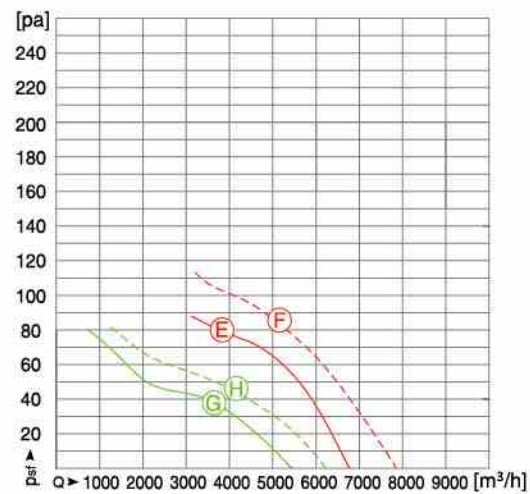
Professional · Honest · Human Oriented



Ø 550 AC AXIAL FAN 外转子轴流风机



动压 / Dynamic pressure: $p_d=0.82 \times 10^{-6} \times Q^2 (p_a)$



型号 Model	电压 Voltage	频率 Frequency	电容器 Capacitor	曲线 Curve	输入功率 Power	转速 RPM	电流 Current	静压 Psf	环境温度 Temp.	静压效率 η_{sf}	能效值 EFF.Grade	噪声 Noise	备注 Note
	V	Hz	$\mu F/450V$	NO.	W	r/min	A	Pa	$^{\circ}C$	%	N	dB/(A)	
YSWF102L50P4-□-550	3~380	50	—	A	670	1377	1.27	145	-40~+70	35.4	42.7	74	
YSWF102L50P4-□-550	3~380	50	—	B	531	1406	1.24	135	-40~+85	34.2	42.1	73	
		60	—	C	763	1614	1.39	158	-40~+70	33.3	40.3	75	
YSWF102L50P6-□-550	3~380	50	—	D	366	895	0.76	80	-40~+70	27.9	36.8	69	
YSWF102L50P6-□-550	3~380	50	—	E	295	921	0.69	71	-40~+80	31.8	41.4	67	
		60	—	F	434	1037	0.80	88	-40~+70	27.7	36.2	70	
YSWF102L50P8-□-550	3~380	50	—	G	206	679	0.51	37	-40~+80	18.65	29.2	60	
		60	—	H	264	756	0.52	47	-40~+70	19.68	29.5	62	

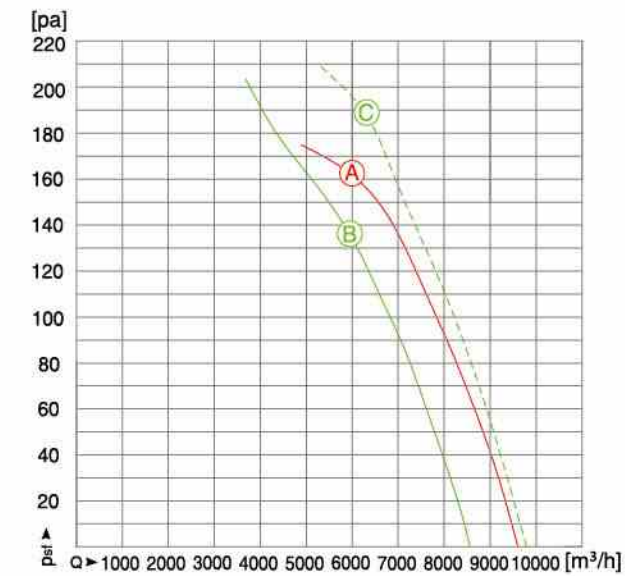
注：性能曲线在安装马尔导风圈时测得。Note: The performance curve is tested with MaEr wall plate.

MaEr Fan Motor

Professional · Honest · Human Oriented



Ø 550 AC AXIAL FAN 外转子轴流风机



动压 / Dynamic pressure: $p_d=0.82 \times 10^{-6} \times Q^2 (p_a)$

型号 Model	电压 Voltage	频率 Frequency	电容器 Capacitor	曲线 Curve	输入功率 Power	转速 RPM	电流 Current	静压 Psf	环境温度 Temp.	静压效率 η_{sf}	能效值 EFF.Grade	噪声 Noise	备注 Note
	V	Hz	$\mu F/450V$	NO.	W	r/min	A	Pa	$^{\circ}C$	%	N	dB/(A)	
YSWF102L60P4-□-550	3~380	50	—	A	808	1363	1.48	162	-40~+70	33.39	40.2	75	
YSWF102L60P4-□-550	3~380	50	—	B	657	1395	1.29	138	-40~+85	34.20	41.6	73	
		60	—	C	1036	1570	1.74	191	-40~+65	31.69	37.9	76	

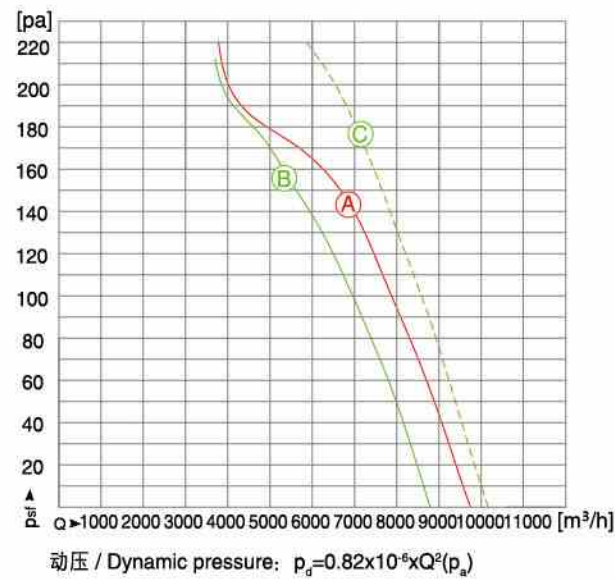
注：性能曲线在安装马尔导风圈时测得。Note: The performance curve is tested with MaEr wall plate.

MaEr Fan Motor

Professional · Honest · Human Oriented



Ø 550 AC AXIAL FAN 外转子轴流风机



型号 Model	电压 Voltage	频率 Frequency	电容器 Capacitor	曲线 Curve	输入功率 Power	转速 RPM	电流 Current	静压 Psf	环境温度 Temp.	静压效率 ηsf	能效值 EFF.Grade	噪声 Noise	备注 Note
	V	Hz	μF/450V	NO.	W	r/min	A	Pa	℃	%	N	dB(A)	
YSWF102L70P4-□-550	3~380	50	—	A	802	1402	1.62	144	-40~+70	34.04	40.9	76	
YSWF102L70P4-□-550	3~380	50	—	B	596	1411	1.42	158	-40~+80	39.12	47.4	74	
		60	—	C	1029	1582	1.82	179	-40~+65	34.14	40.3	77	

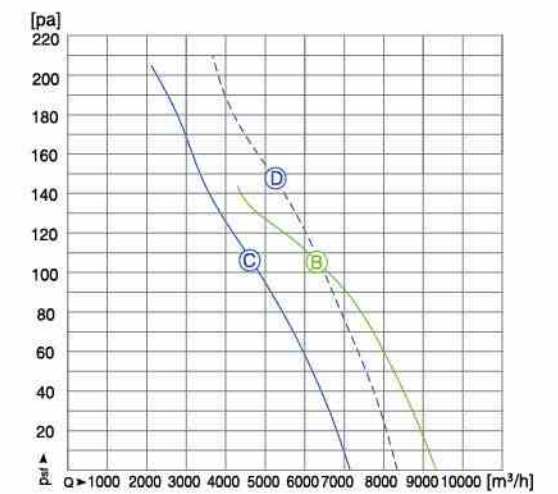
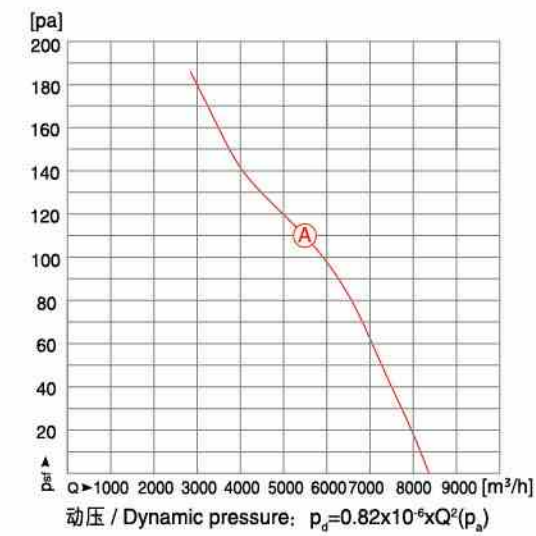
注：性能曲线在安装马尔导风圈时测得。Note: The performance curve is tested with MaEr wall plate.

MaEr Fan Motor

Professional · Honest · Human Oriented



Ø 550 AC AXIAL FAN 外转子轴流风机



型号 Model	电压 Voltage	频率 Frequency	电容器 Capacitor	曲线 Curve	输入功率 Power	转速 RPM	电流 Current	静压 Psf	环境温度 Temp.	静压效率 ηsf	能效值 EFF.Grade	噪声 Noise	备注 Note
	V	Hz	μF/450V	NO.	W	r/min	A	Pa	℃	%	N	dB(A)	
YDWF102L50P4-□-550-7F	1~220	50	16	A	580	1389	2.64	112	-40~+80	28.89	36.6	75	
YSWF102L50P4-□-550-7F	3~380	50	—	B	666	1398	1.45	106	-40~+80	28.04	35.5	76	
YSWF102L50P4-□-550-7F	3~380	50	—	C	455	1425	1.07	109	-40~+85	30.32	38.7	74	
		60	—	D	698	1621	1.25	148	-40~+75	30.80	38.1	77	

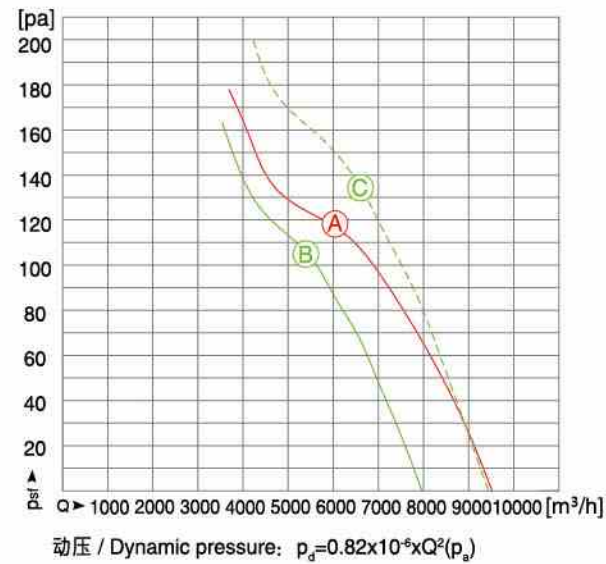
注：性能曲线在安装马尔导风圈时测得。Note: The performance curve is tested with MaEr wall plate.

MaEr Fan Motor

Professional · Honest · Human Oriented



Ø 550 AC AXIAL FAN 外转子轴流风机



型号 Model	电压 Voltage	频率 Frequency	电容器 Capacitor	曲线 Curve	输入功率 Power	转速 RPM	电流 Current	静压 Psf	环境温度 Temp.	静压效率 η_{sf}	能效值 EFF.Grade	噪声 Noise	备注 Note
	V	Hz	$\mu F/450V$	NO.	W	r/min	A	Pa	°C	%	N	dB/(A)	
YSWF102L60P4-□-550-7F	3~380	50	—	A	702	1404	1.46	117	-40~+75	27.09	35.1	77	
YSWF102L60P4-□-550-7F	3~380	50	—	B	562	1425	1.19	107	-40~+85	28.47	36.3	75	
				C	783	1643	1.37	136	-40~+70	31.64	38.6	78	

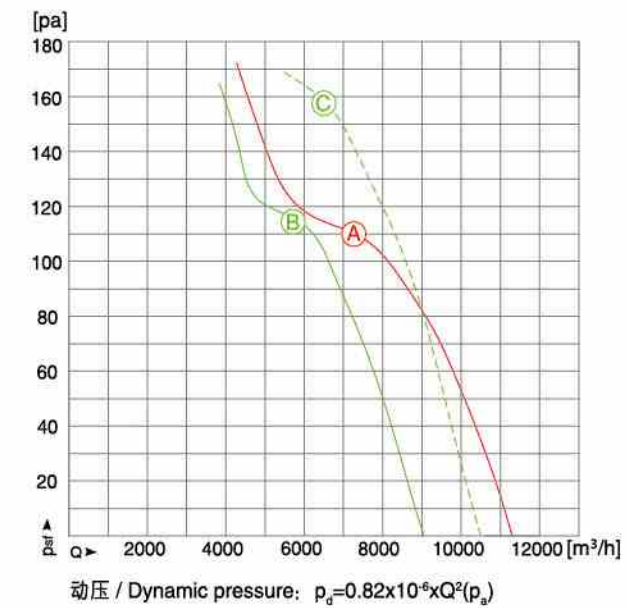
注：性能曲线在安装马尔导风圈时测得。Note: The performance curve is tested with MaEr wall plate.

MaEr Fan Motor

Professional · Honest · Human Oriented



Ø 550 AC AXIAL FAN 外转子轴流风机



型号 Model	电压 Voltage	频率 Frequency	电容器 Capacitor	曲线 Curve	输入功率 Power	转速 RPM	电流 Current	静压 Psf	环境温度 Temp.	静压效率 η_{sf}	能效值 EFF.Grade	噪声 Noise	备注 Note
	V	Hz	$\mu F/450V$	NO.	W	r/min	A	Pa	°C	%	N	dB/(A)	
YSWF102L70P4-□-550-7F	3~380	50	—	A	931	1374	1.83	109	-40~+65	24.02	30.5	78	
YSWF102L70P4-□-550-7F	3~380	50	—	B	642	1425	1.51	115	-40~+85	28.74	36.2	76	
				C	971	1649	1.76	159	-40~+70	29.33	35.7	79	

注：性能曲线在安装马尔导风圈时测得。Note: The performance curve is tested with MaEr wall plate.

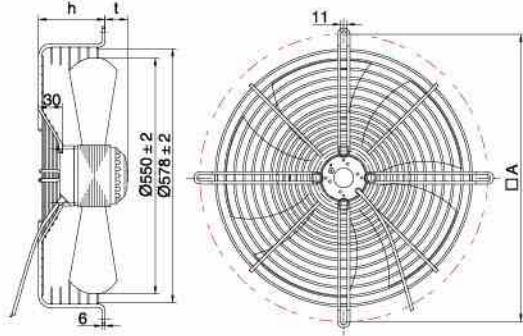
MaEr Fan Motor

Professional · Honest · Human Oriented



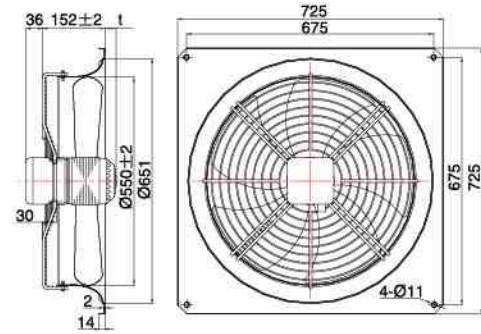
Ø 550 INSTALLATION ACCESSORIES 安装附件

□-625N/635N



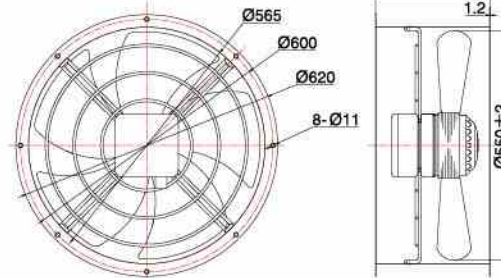
常规凹网罩 Concave grid 625N/635N				低凹网罩 Low concave grid 625N50/635N50			
型号 MODEL	h	t	A	型号 MODEL	h	t	A
YD(S)WF102L50P4-625N-550	100	52	625	YD(S)WF102L50P4-625N50-550	60	92	625
YD(S)WF102L50P6-625N-550	100	52	625	YD(S)WF102L50P6-625N50-550	60	92	625
YD(S)WF102L50P8-625N-550	100	52	625	YD(S)WF102L50P8-625N50-550	60	92	625
YSWF102L60P4-625N-550	100	62	625	YSWF102L60P4-625N50-550	60	102	625
YSWF102L70P4-625N-550	100	72	625	YSWF102L70P4-625N50-550	60	112	625
YD(S)WF102L50P4-635N-550	100	52	635	YD(S)WF102L50P4-635N50-550	60	92	635
YD(S)WF102L50P6-635N-550	100	52	635	YD(S)WF102L50P6-635N50-550	60	92	635
YD(S)WF102L50P8-635N-550	100	52	635	YD(S)WF102L50P8-635N50-550	60	92	635
YSWF102L60P4-635N-550	100	62	635	YSWF102L60P4-635N50-550	60	102	635
YSWF102L70P4-635N-550	100	72	635	YSWF102L70P4-635N50-550	60	112	635

□-675H



带导风圈 Wall plate 675H	
型号 MODEL	t
YD(S)WF102L50P4-675H-550	—
YD(S)WF102L50P6-675H-550	—
YD(S)WF102L50P8-675H-550	—
YSWF102L60P4-675H-550	10
YSWF102L70P4-675H-550	20

□-600G



带风筒 Air duct 600G	
型号 MODEL	
YD(S)WF102L50P4-600G-550	
YD(S)WF102L50P6-600G-550	
YD(S)WF102L50P8-600G-550	
YSWF102L60P4-600G-550	
YSWF102L70P4-600G-550	

□-其他安装附件 Others

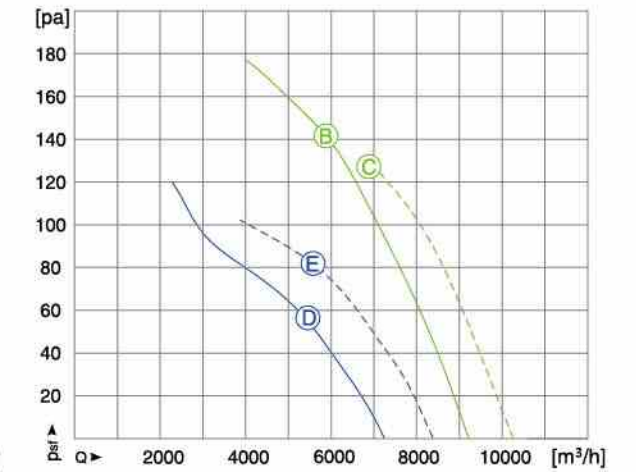
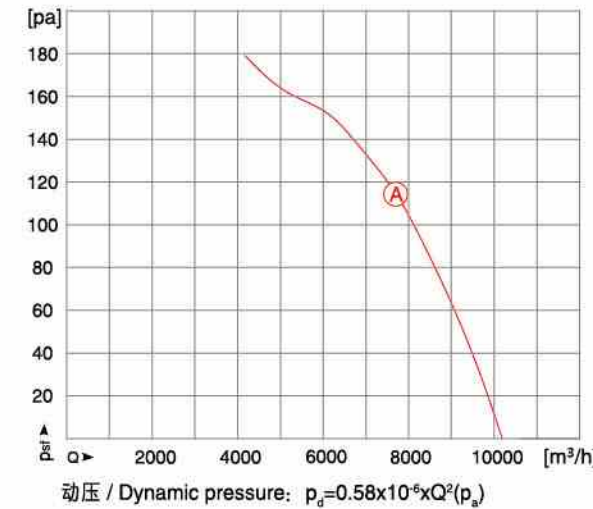
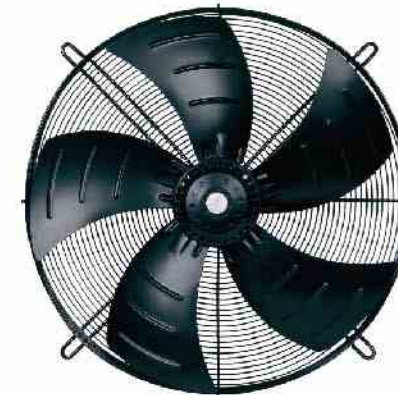
平板网罩 Flat screen grid 625P/635P				平板网罩 Flat net grid 625B/635B				凹板网罩 Concave flat grid 625NB/635NB			
型号 MODEL	h	t	A	型号 MODEL	h	t	A	型号 MODEL	h	t	A
YD(S)WF102L50P4-625P-550	100	22	625	YD(S)WF102L50P4-625B-550	—	122	625	YD(S)WF102L50P4-625NB-550	—	152	625
YD(S)WF102L50P6-625P-550	100	22	625	YD(S)WF102L50P6-625B-550	—	122	625	YD(S)WF102L50P6-625NB-550	—	152	625
YD(S)WF102L50P8-625P-550	100	22	625	YD(S)WF102L50P8-625B-550	—	122	625	YD(S)WF102L50P8-625NB-550	—	152	625
YSWF102L60P4-625P-550	100	32	625	YSWF102L60P4-625B-550	—	132	625	YSWF102L60P4-625NB-550	—	162	625
YSWF102L70P4-625P-550	100	42	625	YSWF102L70P4-625B-550	—	142	625	YSWF102L70P4-625NB-550	—	172	625
YD(S)WF102L50P4-635P-550	100	22	635	YD(S)WF102L50P4-635B-550	—	122	635	YD(S)WF102L50P4-635NB-550	—	152	635
YD(S)WF102L50P6-635P-550	100	22	635	YD(S)WF102L50P6-635B-550	—	122	635	YD(S)WF102L50P6-635NB-550	—	152	635
YD(S)WF102L50P8-635P-550	100	22	635	YD(S)WF102L50P8-635B-550	—	122	635	YD(S)WF102L50P8-635NB-550	—	152	635
YSWF102L60P4-635P-550	100	32	635	YSWF102L60P4-635B-550	—	132	635	YSWF102L60P4-635NB-550	—	162	635
YSWF102L70P4-635P-550	100	42	635	YSWF102L70P4-635B-550	—	142	635	YSWF102L70P4-635NB-550	—	172	635

MaEr Fan Motor

Professional · Honest · Human Oriented



Ø 600 AC AXIAL FAN 外转子轴流风机



型号 Model	电压 Voltage	频率 Frequency	电容器 Capacitor	曲线 Curve	输入功率 Power	转速 RPM	电流 Current	静压 Psf	环境温度 Temp.	静压效率 ηsf	能效值 EFF.Grade	噪声 Noise	备注 Note
	V	Hz	μF/450V	NO.	W	r/min	A	Pa	℃	%	N	dB(A)	
YDWF102L60P4-□-600	1~220	50	20	A	783	1329	3.55	117	-40~+65	31.78	38.7	75	
YDWF102L60P4-□-600	1~220	50	20	B	700	1354	3.19	141	-40~+75	33.08	40.3	74	
		60		C	1028	1453	4.67	129	-40~+60	24.16	30.3	78	
YDWF102L60P6-□-600	1~220	50	12	D	313	929	1.44	56	-40~+80	26.46	35.8	69	
		60		E	460	1043	2.10	81	-40~+70	27.45	35.8	72	

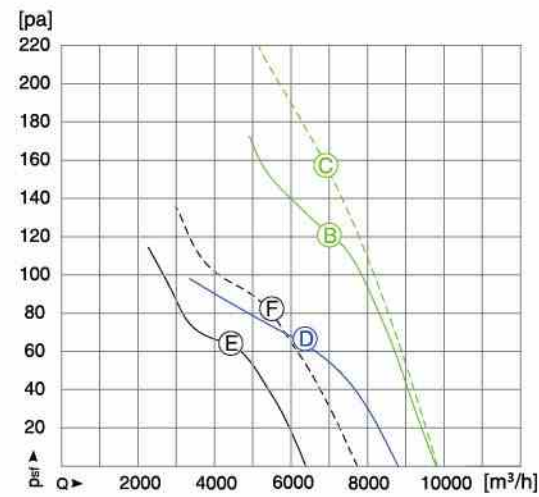
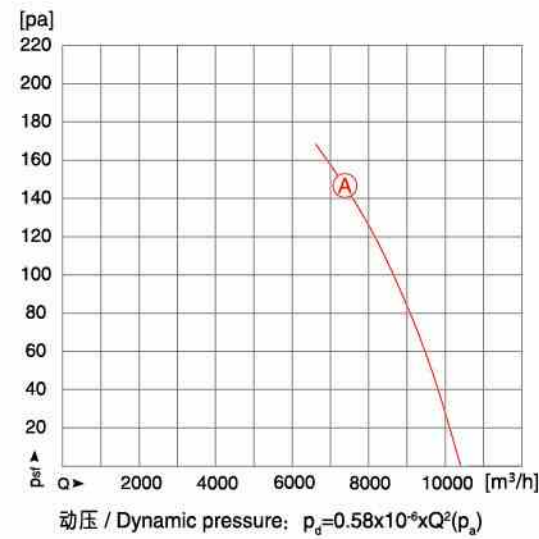
注：性能曲线在安装马尔导风圈时测得。Note: The performance curve is tested with MaEr wall plate.

MaEr Fan Motor

Professional · Honest · Human Oriented



Ø 600 AC AXIAL FAN 外转子轴流风机



型号 Model	电压 Voltage	频率 Frequency	电容器 Capacitor	曲线 Curve	输入功率 Power	转速 RPM	电流 Current	静压 Psf	环境温度 Temp.	静压效率 ηsf	能效值 EFF.Grade	噪声 Noise	备注 Note
	V	Hz	μF/450V	NO.	W	r/min	A	Pa	℃	%	N	dB/(A)	
YSWF102L60P4-□-600	3~380	50	—	A	825	1365	1.56	145	-40~+70	36.26	43.2	75	
YSWF102L60P4-□-600	3~380	50	—	B	726	1383	1.37	121	-40~+75	32.97	40.1	74	
YSWF102L60P4-□-600	3~380	60	—	C	935	1602	1.61	158	-40~+65	32.43	38.8	75	
YSWF102L60P6-□-600	3~380	50	—	D	420	903	0.93	66	-40~+65	26.88	35.5	72	
YSWF102L60P6-□-600	3~380	50	—	E	259	948	0.79	64	-40~+90	30.52	40.5	68	
YSWF102L60P6-□-600	3~380	60	—	F	377	1092	0.80	80	-40~+90	32.46	41.4	71	

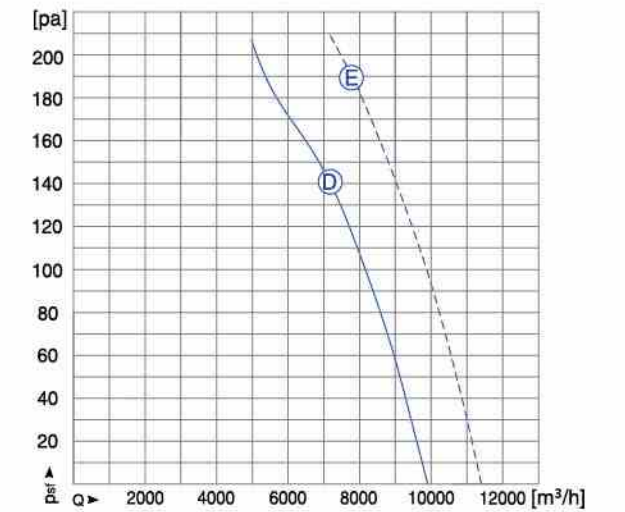
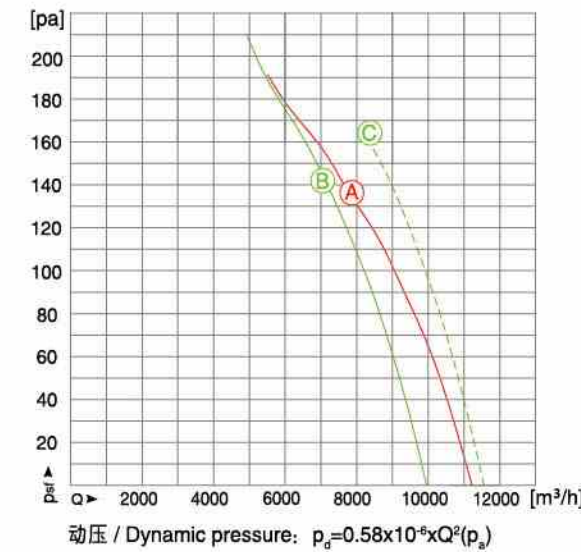
注：性能曲线在安装马尔导风圈时测得。Note: The performance curve is tested with MaEr wall plate.

MaEr Fan Motor

Professional · Honest · Human Oriented



Ø 600 AC AXIAL FAN 外转子轴流风机



型号 Model	电压 Voltage	频率 Frequency	电容器 Capacitor	曲线 Curve	输入功率 Power	转速 RPM	电流 Current	静压 Psf	环境温度 Temp.	静压效率 ηsf	能效值 EFF.Grade	噪声 Noise	备注 Note
	V	Hz	μF/450V	NO.	W	r/min	A	Pa	℃	%	N	dB/(A)	
YDWF102L70P4-□-600	1~220	50	20	A	934	1329	4.22	136	-40~+60	31.62	38	76	
YDWF102L70P4-□-600	1~220	50	20	B	821	1406	3.89	141	-40~+70	34.09	40.9	75	
YDWF102L70P4-□-600	1~220	60	20	C	1279	1569	5.85	164	-40~+60	29.32	34.9	76	
YSWF102L70P4-□-600	3~380	50	—	D	764	1404	1.57	141	-40~+65	36.85	43.9	75	
YSWF102L70P4-□-600	3~380	60	—	E	1199	1591	2.05	190	-40~+75	34.24	40	76	

注：性能曲线在安装马尔导风圈时测得。Note: The performance curve is tested with MaEr wall plate.

MaEr Fan Motor

Professional · Honest · Human Oriented



Ø 600 AC AXIAL FAN 外转子轴流风机

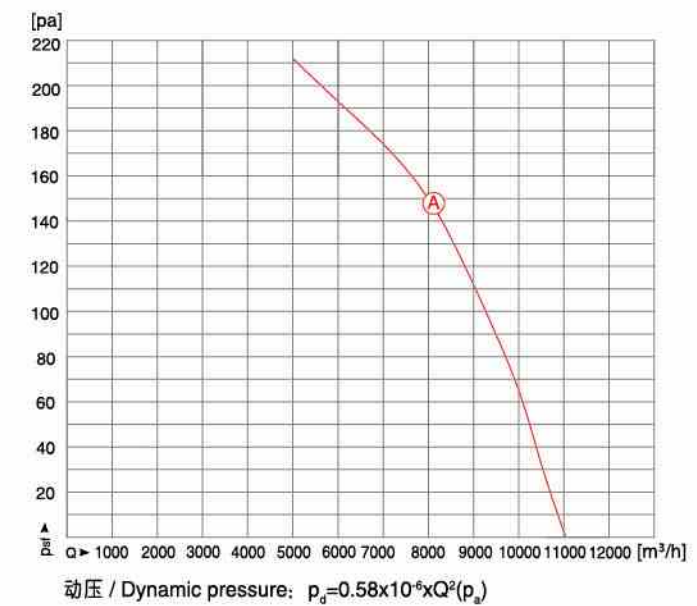
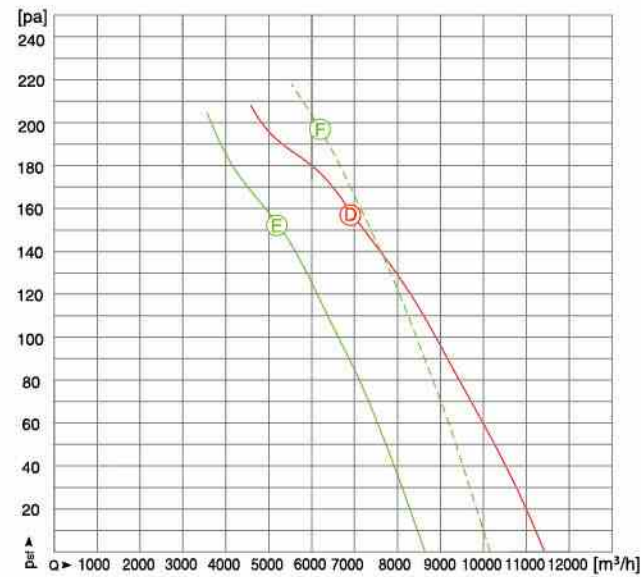
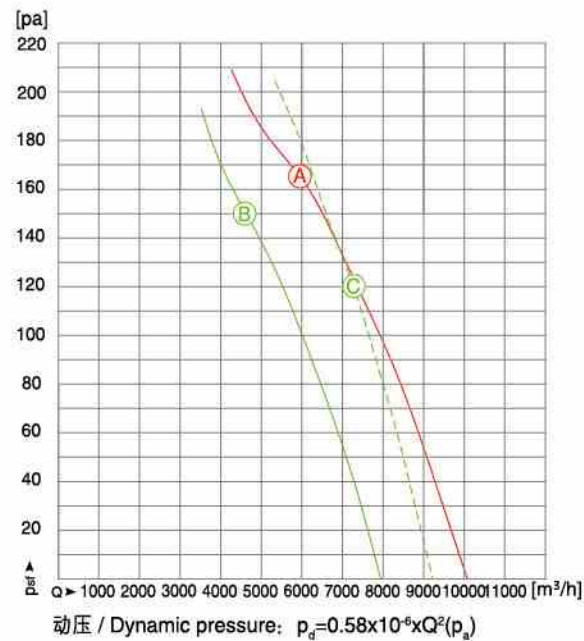


MaEr Fan Motor

Professional · Honest · Human Oriented



Ø 600 AC AXIAL FAN 外转子轴流风机



型号 Model	电压 Voltage	频率 Frequency	电容器 Capacitor	曲线 Curve	输入功率 Power	转速 RPM	电流 Current	静压 Psf	环境温度 Temp.	静压效率 ηsf	能效值 EFF.Grade	噪声 Noise	备注 Note
	V	Hz	μF/450V	NO.	W	r/min	A	Pa	℃	%	N	dB(A)	
YSWF102L60P4-□-600-7F	3~380	50	—	A	831	1375	1.67	165	-40~+65	32.59	39.7	80	
YSWF102L60P4-□-600-7F	3~380	50	—	B	635	1413	1.41	150	-40~+80	30.37	37.9	79	
				C	936	1629	1.65	121	-40~+65	26.05	32.05	81	
YSWF102L70P4-□-600-7F	3~380	50	—	D	976	1371	1.86	157	-40~+65	31.06	37.4	81	
YSWF102L70P4-□-600-7F	3~380	50	—	E	687	1416	1.51	153	-40~+80	32.20	39.5	80	
				F	1073	1609	1.88	196	-40~+65	31.60	37.7	82	

注：性能曲线在安装马尔导风圈时测得。Note: The performance curve is tested with MaEr wall plate.

型号 Model	电压 Voltage	频率 Frequency	电容器 Capacitor	曲线 Curve	输入功率 Power	转速 RPM	电流 Current	静压 Psf	环境温度 Temp.	静压效率 ηsf	能效值 EFF.Grade	噪声 Noise	备注 Note
	V	Hz	μF/450V	NO.	W	r/min	A	Pa	℃	%	N	dB(A)	
YSWF102L70P4-□-600-7	3~380	50	—	A	962	1397	1.82	147	-40~+70	34.40	40.8	78	

注：性能曲线在安装马尔导风圈时测得。Note: The performance curve is tested with MaEr wall plate.

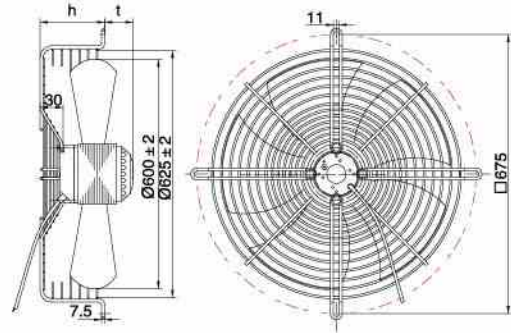
MaEr Fan Motor

Professional · Honest · Human Oriented



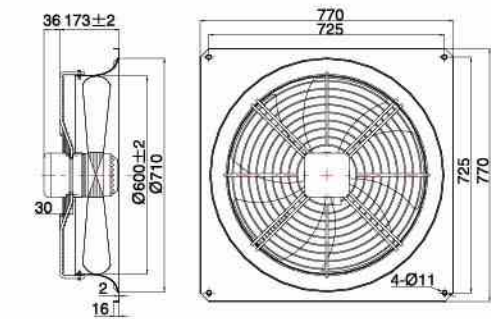
Ø 600 INSTALLATION ACCESSORIES 安装附件

□-675N



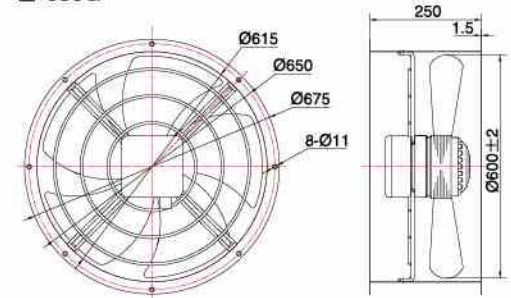
常规凹网罩 Concave grid 675N			低凹网罩 Low concave grid 675N70		
型号 MODEL	h	t	型号 MODEL	h	t
YD(S)WF102L60P4-675N-600	100	62	YD(S)WF102L60P4-675N70-600	70	92
YD(S)WF102L60P6-675N-600	100	62	YD(S)WF102L60P6-675N70-600	70	92
YD(S)WF102L70P4-675N-600	100	72	YD(S)WF102L70P4-675N70-600	70	102

□-725H



带导风圈 Wall plate 725H	
型号 MODEL	
YD(S)WF102L60P4-725H-600	
YD(S)WF102L60P6-725H-600	
YD(S)WF102L70P4-725H-600	

□-650G



带风筒 Air duct 650G	
型号 MODEL	
YD(S)WF102L60P4-650G-600	
YD(S)WF102L60P6-650G-600	
YD(S)WF102L70P4-650G-600	

□-其他安装附件 Others

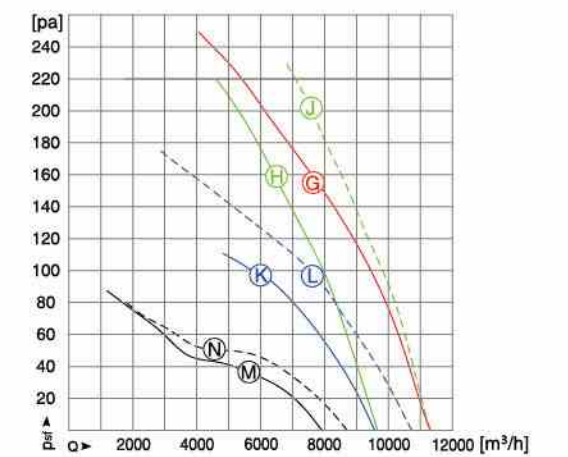
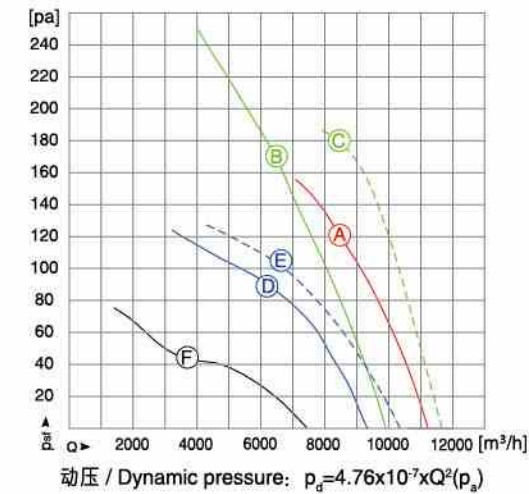
平网罩 Flat screen grid 675P			平板网罩 Flat net grid 675B			凹板网罩 Concave flat grid 675NB		
型号 MODEL	h	t	型号 MODEL	h	t	型号 MODEL	h	t
YD(S)WF102L60P4-675P-600	100	32	YD(S)WF102L60P4-675B-600	—	132	YD(S)WF102L60P4-675NB-600	—	162
YD(S)WF102L60P6-675P-600	100	32	YD(S)WF102L60P6-675B-600	—	132	YD(S)WF102L60P6-675NB-600	—	162
YD(S)WF102L70P4-675P-600	100	42	YD(S)WF102L70P4-675B-600	—	142	YD(S)WF102L70P4-675NB-600	—	172

MaEr Fan Motor

Professional · Honest · Human Oriented



Ø 630 AC AXIAL FAN 外转子轴流风机

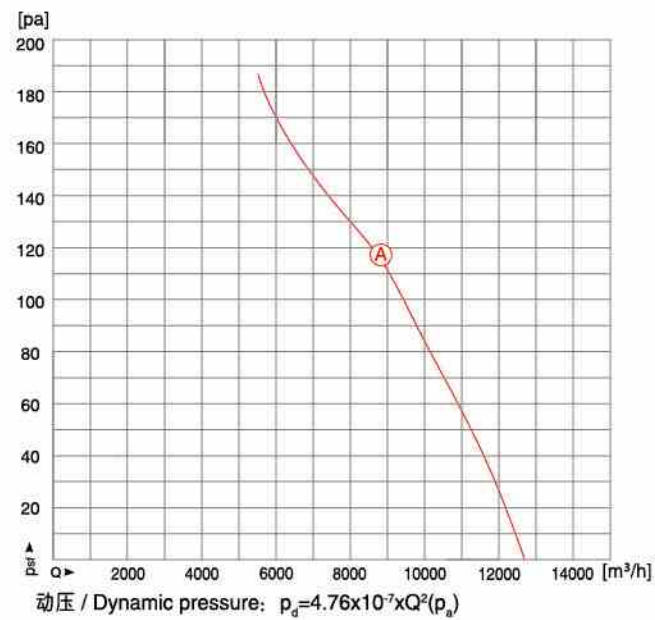


型号 Model	电压 Voltage V	频率 Frequency Hz	电容器 Capacitor μF/450V	曲线 Curve NO.	输入功率 Power W	转速 RPM r/min	电流 Current A	静压 Psf Pa	环境温度 Temp. °C	静压效率 ηsf %	能效值 EFF.Grade N	噪声 Noise dB(A)	备注 Note
YDWF102L70P4-□-630	1~220	50	20	A	892	1349	4.04	120	-40~+70	31.68	38.2	76	
YDWF102L70P4-□-630	1~220	50	20	B	805	1398	3.86	170	-40~+80	37.61	44.5	75	
YDWF102L70P4-□-630	1~220	60	20	C	1193	1576	5.45	180	-40~+65	35.24	41.0	78	
YDWF102L70P6-□-630	1~220	50	16	D	479	919	2.22	91	-40~+80	32.45	40.7	71	
YDWF102L70P6-□-630	1~220	60	16	E	662	1038	3.01	104	-40~+80	28.09	35.4	74	
YDWF102L70P8-□-630	1~220	50	12	F	269	660	1.22	41	-40~+70	19.37	29.2	63	
YSWF102L70P4-□-630	3~380	50	—	G	937	1378	1.75	155	-40~+70	35.84	42.2	77	
YSWF102L70P4-□-630	3~380	50	—	H	735	1406	1.60	159	-40~+80	38.90	45.9	75	
YSWF102L70P4-□-630	3~380	60	—	J	1131	1600	1.97	201	-40~+65	37.53	43.4	78	
YSWF102L70P6-□-630	3~380	50	—	K	485	925	1.23	97	-40~+85	33.70	41.9	71	
YSWF102L70P6-□-630	3~380	60	—	L	652	1063	1.30	96	-40~+85	31.49	38.9	74	
YSWF102L70P8-□-630	3~380	50	—	M	317	661	0.69	36	-40~+70	17.86	27.2	64	
YSWF102L70P8-□-630	3~380	60	—	N	427	706	0.77	47	-40~+65	17.83	26.4	65	

注：性能曲线在安装马尔导风圈时测得。Note: The performance curve is tested with MaEr wall plate.

Ø 630 AC AXIAL FAN 外转子轴流风机

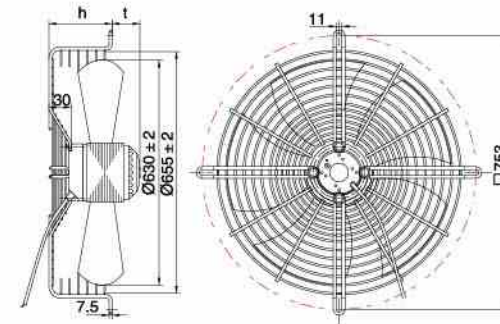
Ø 630 AC AXIAL FAN 外转子轴流风机



型号 Model	电压 Voltage	频率 Frequency	电容器 Capacitor	曲线 Curve	输入功率 Power	转速 RPM	电流 Current	静压 Psf	环境温度 Temp.	静压效率 ηsf	能效值 EFF.Grade	噪声 Noise	备注 Note
	V	Hz	μF/450V	NO.	W	r/min	A	Pa	°C	%	N	dB(A)	
YSWF102L70P4-□-630-7F	3~380	50	—	A	1012	1373	1.98	117	-40~+65	28.03	34.4	82	

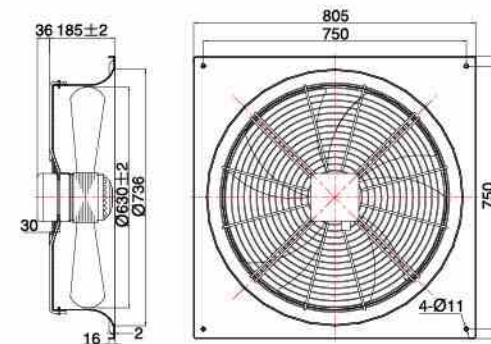
注：性能曲线在安装马尔导风圈时测得。Note: The performance curve is tested with MaEr wall plate.

□-753N



常规凹网罩 Concave grid 753N				低凹网罩 Low concave grid 753N40			
型号 MODEL	h	t		型号 MODEL	h	t	
YD(S)WF102L70P4-753N-630	100	62		YD(S)WF102L70P4-753N40-630	70	92	
YD(S)WF102L70P6-753N-630	100	62		YD(S)WF102L70P6-753N40-630	70	92	
YD(S)WF102L70P8-753N-630	100	62		YD(S)WF102L70P8-753N40-630	70	92	

□-750H



带导风圈 Wall plate 750H

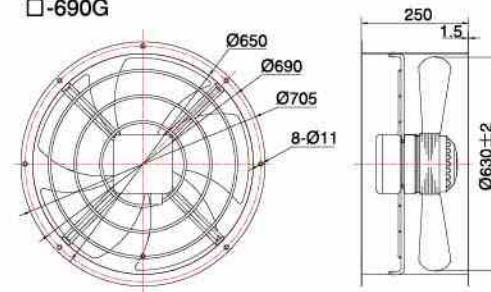
型号 MODEL

YD(S)WF102L70P4-750H-630

YD(S)WF102L70P6-750H-630

YD(S)WF102L70P8-750H-630

□-690G



带风筒 Air duct 690G

型号 MODEL

YD(S)WF102L70P4-690G-630

YD(S)WF102L70P6-690G-630

YD(S)WF102L70P8-690G-630

□-其他安装附件 Others

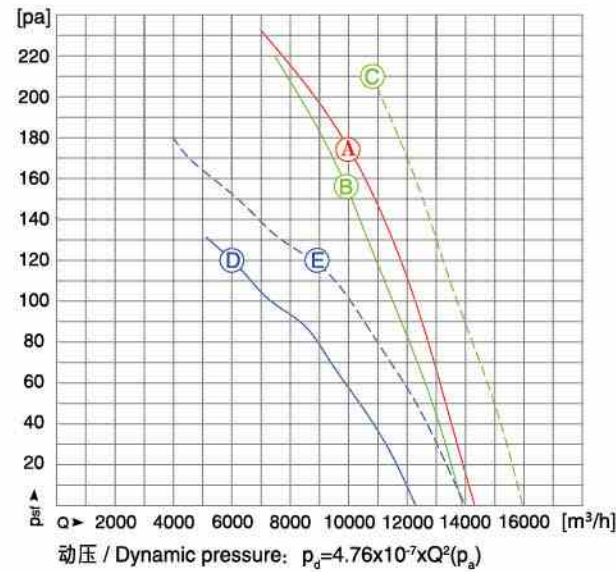
平网罩 Flat screen grid 753P				平板网罩 Flat net grid 753B				凹板网罩 Concave flat grid 753NB			
型号 MODEL	h	t		型号 MODEL	h	t		型号 MODEL	h	t	
YD(S)WF102L70P4-753P-630	100	32		YD(S)WF102L70P4-753B-630	—	132		YD(S)WF102L70P4-753NB-630	—	162	
YD(S)WF102L70P6-753P-630	100	32		YD(S)WF102L70P6-753B-630	—	132		YD(S)WF102L70P6-753NB-630	—	162	
YD(S)WF102L70P8-753P-630	100	32		YD(S)WF102L70P8-753B-630	—	132		YD(S)WF102L70P8-753NB-630	—	162	

MaEr Fan Motor

Professional · Honest · Human Oriented



Ø 630 AC AXIAL FAN 外转子轴流风机



型号 Model	电压 Voltage	频率 Frequency	电容器 Capacitor	曲线 Curve	输入功率 Power	转速 RPM	电流 Current	静压 Psf	环境温度 Temp.	静压效率 ηsf	能效值 EFF.Grade	噪声 Noise	备注 Note
	V	Hz	μF/450V	NO.	W	r/min	A	Pa	℃	%	N	dB(A)	
YSWF127L50P4-□-630	3~380	50	—	A	1442	1369	2.65	177	-40~+55	33.81	39.1	78	
YSWF127L50P4-□-630	3~380	50	—	B	1219	1397	2.34	156	-40~+65	35.29	41	77	
YSWF127L50P4-□-630	3~380	60	—	C	1954	1563	3.25	212	-40~+50	32.37	36.8	80	
YSWF127L50P6-□-630	3~380	50	—	D	777	906	1.69	120	-40~+65	26.74	33.7	71	
YSWF127L50P6-□-630	3~380	60	—	E	1172	1014	2.07	120	-40~+55	24.95	30.8	74	

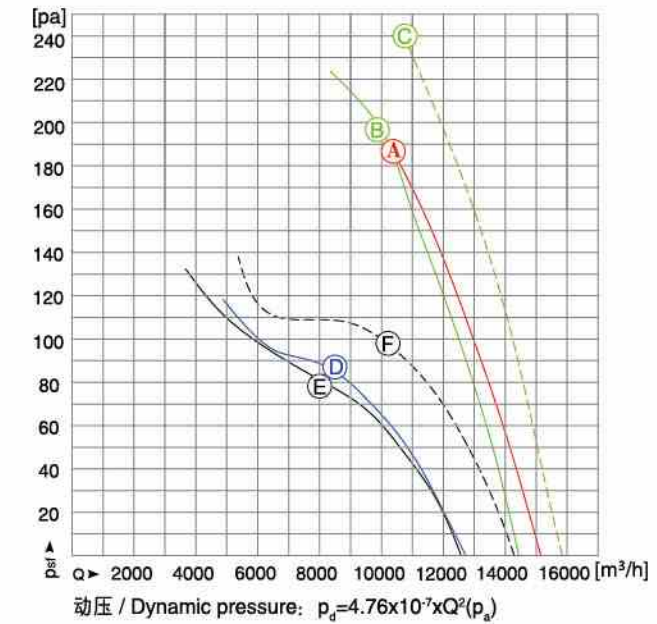
注：性能曲线在安装马尔导风圈时测得。Note: The performance curve is tested with MaEr wall plate.

MaEr Fan Motor

Professional · Honest · Human Oriented



Ø 630 AC AXIAL FAN 外转子轴流风机



型号 Model	电压 Voltage	频率 Frequency	电容器 Capacitor	曲线 Curve	输入功率 Power	转速 RPM	电流 Current	静压 Psf	环境温度 Temp.	静压效率 ηsf	能效值 EFF.Grade	噪声 Noise	备注 Note
	V	Hz	μF/450V	NO.	W	r/min	A	Pa	℃	%	N	dB(A)	
YSWF127L65P4-□-630	3~380	50	—	A	1646	1392	3.33	188	-40~+60	32.75	38	80	
YSWF127L65P4-□-630	3~380	50	—	B	1549	1401	3.16	198	-40~+65	35.28	40.3	78	
YSWF127L65P4-□-630	3~380	60	—	C	2108	1614	3.66	241	-40~+55	33.97	38.1	82	
YSWF127L65P6-□-630	3~380	50	—	D	983	922	2.46	84	-40~+65	20.28	27	73	
YSWF127L65P6-□-630	3~380	50	—	E	882	932	2.17	81	-40~+70	20.81	27.4	72	
YSWF127L65P6-□-630	3~380	60	—	F	1297	1058	2.46	98	-40~+60	21.39	26.9	75	

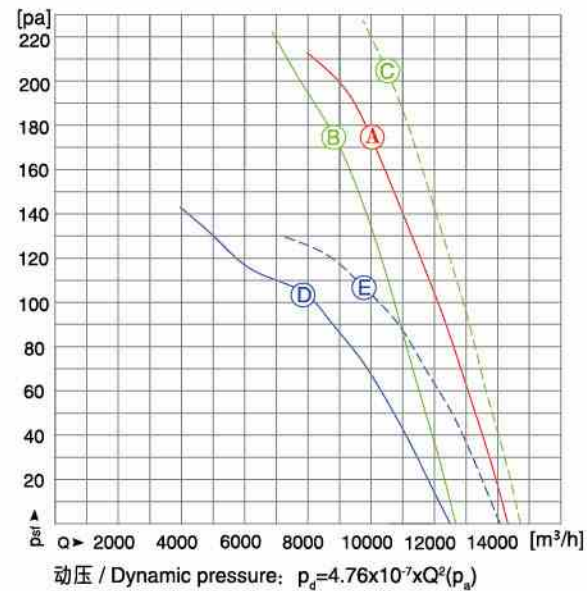
注：性能曲线在安装马尔导风圈时测得。Note: The performance curve is tested with MaEr wall plate.

MaEr Fan Motor

Professional · Honest · Human Oriented



Ø 630 AC AXIAL FAN 外转子轴流风机



型号 Model	电压 Voltage	频率 Frequency	电容器 Capacitor	曲线 Curve	输入功率 Power	转速 RPM	电流 Current	静压 Psf	环境温度 Temp.	静压效率 ηsf	能效值 EFF.Grade	噪声 Noise	备注 Note
	V	Hz	μF/450V	NO.	W	r/min	A	Pa	℃	%	N	dB(A)	
YSWF127L50P4-□-630-7	3~380	50	—	A	1453	1363	2.62	176	-40~+55	33.46	38.7	78	
YSWF127L50P4-□-630-7	3~380	50	—	B	1197	1394	2.30	177	-40~+70	35.98	41.8	75	
YSWF127L50P4-□-630-7	3~380	60	—	C	1795	1576	3.00	206	-40~+50	33.31	38	80	
YSWF127L50P6-□-630-7	3~380	50	—	D	842	907	1.79	104	-40~+65	26.79	33.6	71	
YSWF127L50P6-□-630-7	3~380	60	—	E	1180	1011	2.10	108	-40~+65	24.64	30.5	74	

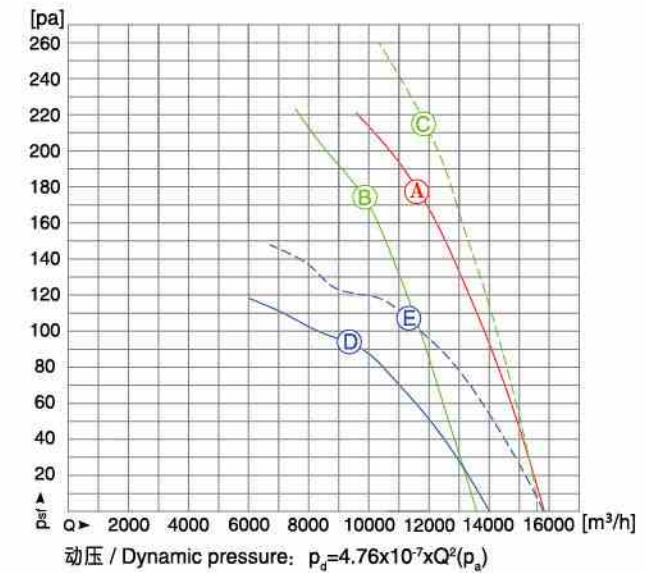
注：性能曲线在安装马尔导风圈时测得。Note: The performance curve is tested with MaEr wall plate.

MaEr Fan Motor

Professional · Honest · Human Oriented



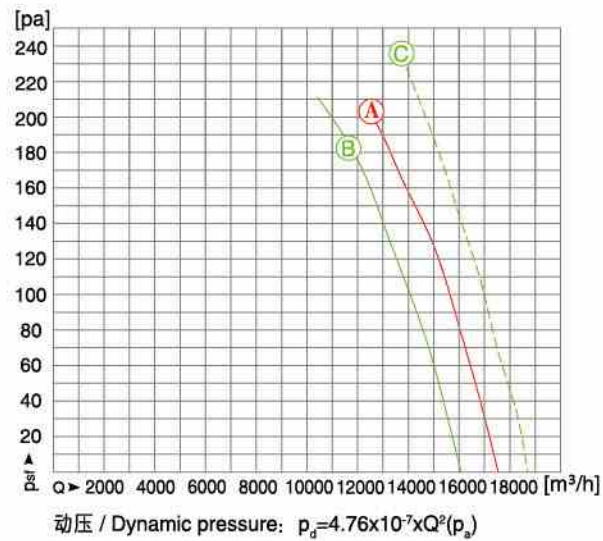
Ø 630 AC AXIAL FAN 外转子轴流风机



型号 Model	电压 Voltage	频率 Frequency	电容器 Capacitor	曲线 Curve	输入功率 Power	转速 RPM	电流 Current	静压 Psf	环境温度 Temp.	静压效率 ηsf	能效值 EFF.Grade	噪声 Noise	备注 Note
	V	Hz	μF/450V	NO.	W	r/min	A	Pa	℃	%	N	dB(A)	
YSWF127L65P4-□-630-7	3~380	50	—	A	1706	1395	3.22	179	-40~+55	33.81	38.6	79	
YSWF127L65P4-□-630-7	3~380	50	—	B	1338	1422	2.79	176	-40~+65	35.75	41.2	76	
YSWF127L65P4-□-630-7	3~380	60	—	C	2027	1640	3.50	218	-40~+55	35.22	39.6	81	
YSWF127L65P6-□-630-7	3~380	50	—	D	1027	919	2.30	91	-40~+65	23.87	30	72	
YSWF127L65P6-□-630-7	3~380	60	—	E	1506	1030	2.73	106	-40~+50	22.15	27.3	75	

注：性能曲线在安装马尔导风圈时测得。Note: The performance curve is tested with MaEr wall plate.

Ø 630 AC AXIAL FAN 外转子轴流风机

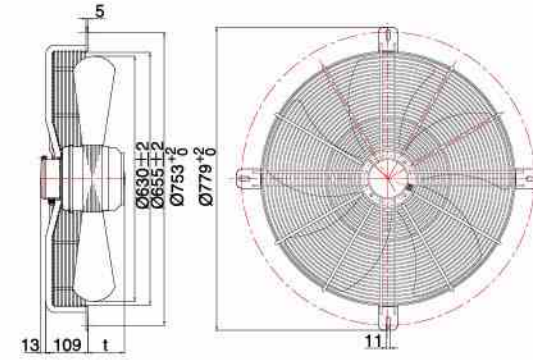


型号 Model	电压 Voltage	频率 Frequency	电容器 Capacitor	曲线 Curve	输入功率 Power	转速 RPM	电流 Current	静压 Psf	环境温度 Temp.	静压效率 ηsf	能效值 EFF.Grade	噪声 Noise	备注 Note
	V	Hz	μF/450V	NO.	W	r/min	A	Pa	℃	%	N	dB(A)	
YSWF127L80P4-□-630-7	3~380	50	—	A	2331	1395	4.48	207	-40~+50	30.14	34	81	
YSWF127L80P4-□-630-7	3~380	50	—	B	1712	1420	3.49	186	-40~+60	35.04	39.8	79	
		60	—	C	2636	1631	4.47	236	-40~+50	34.04	37.6	83	

注：性能曲线在安装马尔导风圈时测得。Note: The performance curve is tested with MaEr wall plate.

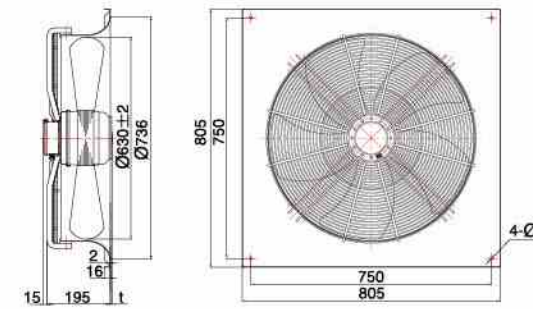
Ø 630 INSTALLATION ACCESSORIES 安装附件

□-753N



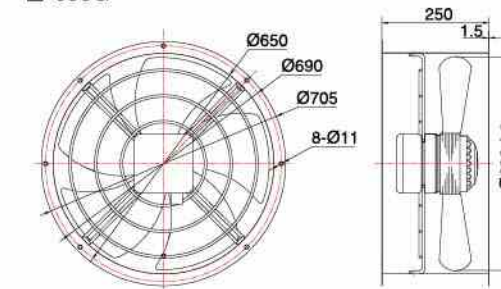
常规凹网罩 Concave grid 753N			
型号	MODEL	h	t
YSWF127L50P4-753N-630		109	93
YSWF127L50P6-753N-630		109	93
YSWF127L65P4-753N-630		109	108
YSWF127L65P6-753N-630		109	108
YSWF127L80P4-753N-630		109	123

□-750H



带导风圈 Wall plate 750H		
型号	MODEL	t
YSWF127L50P4-750H-630		5
YSWF127L50P6-750H-630		5
YSWF127L65P4-750H-630		20
YSWF127L65P6-750H-630		20
YSWF127L80P4-750H-630		35

□-690G



带风筒 Air duct 690G	
型号	MODEL
YSWF127L50P4-690G-630	
YSWF127L50P6-690G-630	
YSWF127L65P4-690G-630	
YSWF127L65P6-690G-630	
YSWF127L80P4-690G-630	

□-其他安装附件 Others

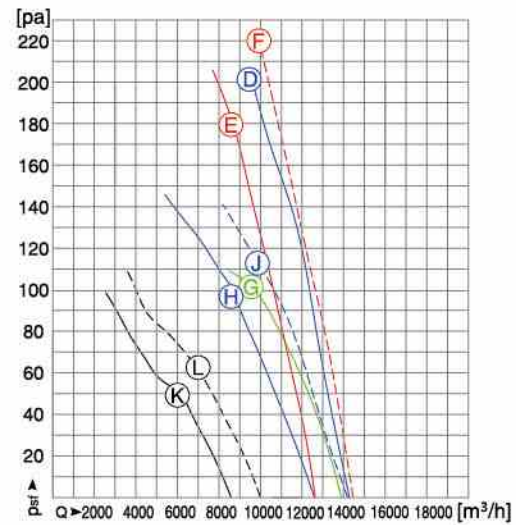
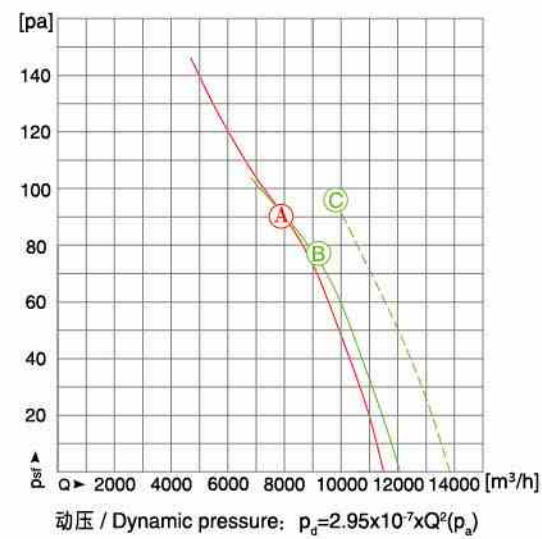
平板网罩 Flat net grid 753B			
型号	MODEL	h	t
YSWF127L50P4-753B-630		—	122
YSWF127L50P6-753B-630		—	122
YSWF127L65P4-753B-630		—	137
YSWF127L65P6-753B-630		—	137
YSWF127L80P4-753B-630		—	157

MaEr Fan Motor

Professional · Honest · Human Oriented



Ø 710 AC AXIAL FAN 外转子轴流风机



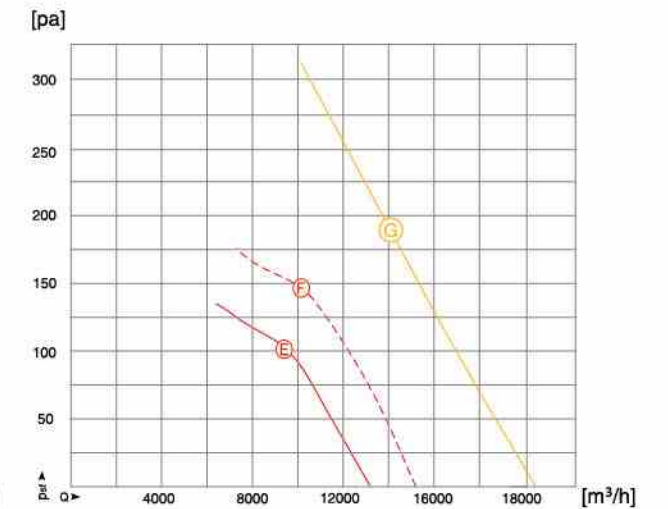
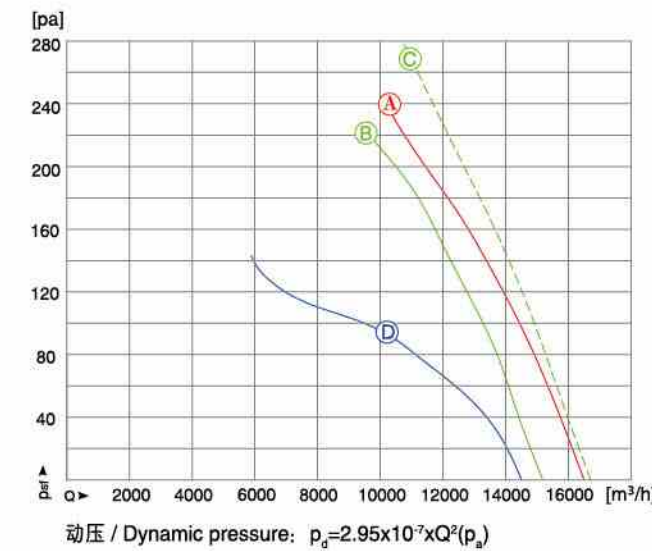
型号 Model	电压 Voltage	频率 Frequency	电容器 Capacitor	曲线 Curve	输入功率 Power	转速 RPM	电流 Current	静压 Psf	环境温度 Temp.	静压效率 ηsf	能效值 EFF.Grade	噪声 Noise	备注 Note
	V	Hz	μF/450V	NO.	W	r/min	A	Pa	℃	%	N	dB(A)	
YDWF127L50P6-□-710	1~220	50	20	A	612	930	2.82	90	-40~+70	32.88	40.4	73	
YDWF127L50P6-□-710	1~220	50	20	B	692	917	3.162	77	-40~+70	28.01	35.2	74	
YDWF127L50P6-□-710	1~220	60	20	C	1062	982	4.816	98	-40~+60	24.23	30.3	76	
YSWF127L50P4-□-710	3~380	50	—	D	1494	1368	2.738	201	-40~+55	35.09	41	80	
YSWF127L50P4-□-710	3~380	50	—	E	1229	1388	2.327	181	-40~+60	35.31	41	78	
YSWF127L50P4-□-710	3~380	60	—	F	1917	1551	3.207	220	-40~+60	31.7	36.1	81	
YSWF127L50P6-□-710	3~380	50	—	G	923	903	2.083	103	-40~+70	29.18	35.6	73	
YSWF127L50P6-□-710	3~380	50	—	H	714	930	1.894	99	-40~+70	33.68	40.8	73	
YSWF127L50P6-□-710	3~380	60	—	J	1014	1064	2.035	112	-40~+70	30.6	36.8	76	
YSWF127L50P8-□-710	3~380	50	—	K	315	703	0.884	51	-40~+70	27.09	36	62	
YSWF127L50P8-□-710	3~380	60	—	L	439	802	0.91	63	-40~+70	27.32	36	65	

MaEr Fan Motor

Professional · Honest · Human Oriented



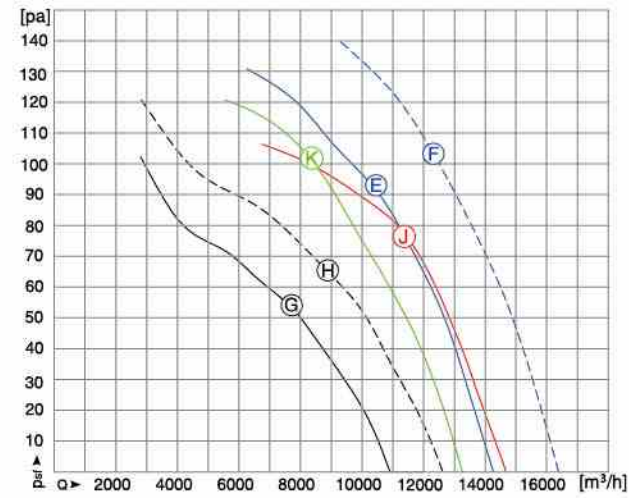
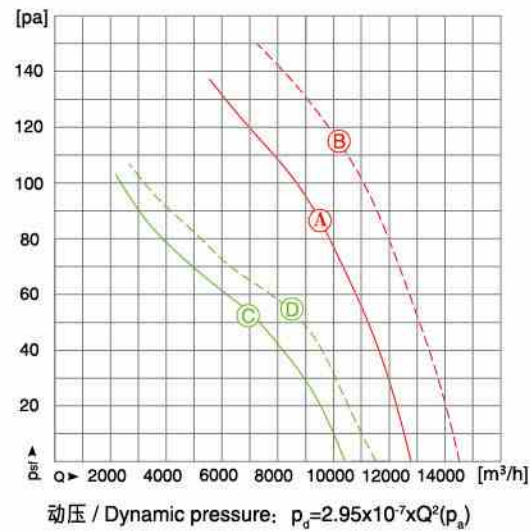
Ø 710 AC AXIAL FAN 外转子轴流风机



型号 Model	电压 Voltage	频率 Frequency	电容器 Capacitor	曲线 Curve	输入功率 Power	转速 RPM	电流 Current	静压 Psf	环境温度 Temp.	静压效率 ηsf	能效值 EFF.Grade	噪声 Noise	备注 Note
	V	Hz	μF/450V	NO.	W	r/min	A	Pa	℃	%	N	dB(A)	
YSWF127L65P4-□-710	3~380	50	—	A	1862	1383	3.56	240	-40~+50	36.53	41	81	
YSWF127L65P4-□-710	3~380	50	—	B	1621	1399	2.98	222	-40~+55	36.33	41.5	80	
YSWF127L65P4-□-710	3~380	60	—	C	2340	1594	3.98	278	-40~+50	35.49	39	83	
YSWF127L65P6-□-710	3~380	50	—	D	1022	922	2.49	93	-40~+70	25.82	31.9	75	
YSWF127L65P6-□-710	3~380	50	—	E	803	944	2.33	102	-40~+75	33.49	40.3	74	
YSWF127L65P6-□-710	3~380	60	—	F	1205	1081	2.47	148	-40~+75	34.74	40.5	77	
YSWF127L80P4-840N-710	3~380	50	—	G	2170	1396	3.80	223	-40~+60	34.37	38.7	81	

注：性能曲线在安装马尔导风圈时测得。Note: The performance curve is tested with MaEr wall plate.

Ø 710 AC AXIAL FAN 外转子轴流风机

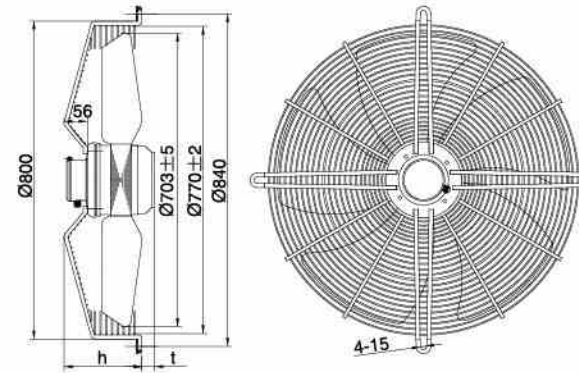


型号 Model	电压 Voltage	频率 Frequency	电容器 Capacitor	曲线 Curve	输入功率 Power	转速 RPM	电流 Current	静压 Psf	环境温度 Temp.	静压效率 η _{sf}	能效值 EFF.Grade	噪声 Noise	备注 Note
	V	Hz	μF/450V	NO.	W	r/min	A	Pa	℃	%	N	dB(A)	
YSWF127L50P6-□-710-7	3~380	50	—	A	791	922	1.77	87	-40~+65	29.42	36.3	74	
		60		B	1198	1023	2.14	116	-40~+60	30.93	37.1	77	
YSWF127L50P8-□-710-7	3~380	50	—	C	496	669	1.10	53	-40~+65	20.87	29	64	
		60		D	665	733	1.24	55	-40~+65	19.27	26.6	67	
YSWF127L65P6-□-710-7	3~380	50	—	E	985	921	2.28	92	-40~+65	27.03	33.3	75	
		60		F	1495	1027	2.75	124	-40~+60	25.17	30.3	78	
YSWF127L65P8-□-710-7	3~380	50	—	G	580	683	1.45	54	-40~+65	19.72	27.5	65	
		60		H	792	760	1.57	65	-40~+65	20.25	27.1	68	
YSWF127L65P6-□-710-7	3~380	50	—	J	1143	913	2.53	77	-40~+55	21.43	27.3	78	
YSWF127L50P6-□-710-7	3~380	50	—	K	953	901	1.99	101	-40~+55	24.68	31.0	73	

注：性能曲线在安装马尔导风圈时测得。 Note: The performance curve is tested with MaEr wall plate.

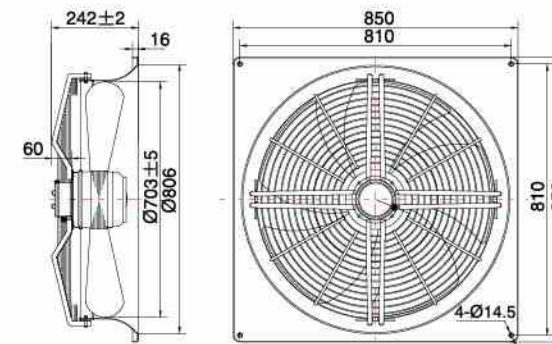
Ø 710 INSTALLATION ACCESSORIES 安装附件

□-840N



常规凹网罩 Concave grid 840N			
型号 MODEL	h	t	
YD(S)WF127L50P6-840N-710	175	42	
YSWF127L50P4-840N-710	175	42	
YSWF127L50P8-840N-710	175	42	
YSWF127L65P4-840N-710	175	57	
YSWF127L65P6-840N-710	175	57	
YSWF127L80P4-840N-710	175	72	

□-810H



带导风圈 Wall plate 810H	
型号 MODEL	
YD(S)WF127L50P6-810H-710	
YSWF127L50P4-810H-710	
YSWF127L50P8-810H-710	
YSWF127L65P4-810H-710	
YSWF127L65P6-810H-710	
YSWF127L80P4-810H-710	

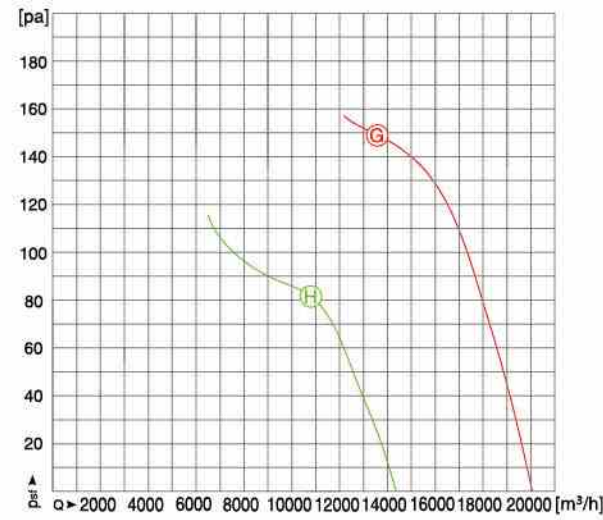
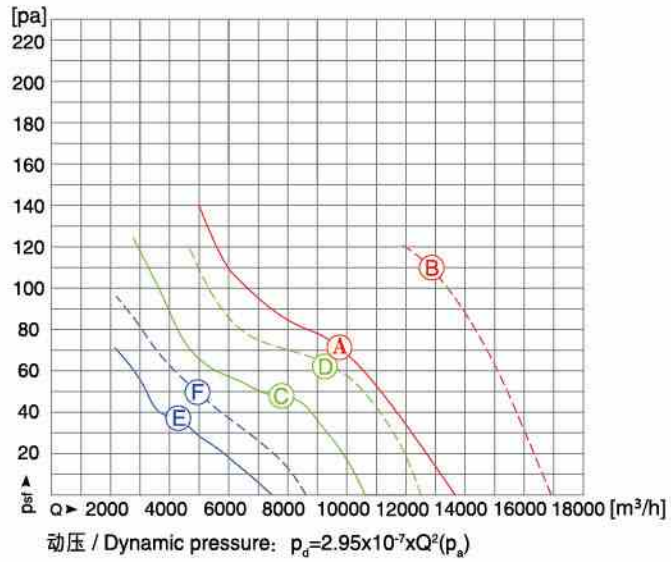
Ø 710 AC AXIAL FAN 外转子轴流风机



叶轮材质: 铝合金式
铝合金塑料混合式



Impeller Material: Aluminum
Hybrid

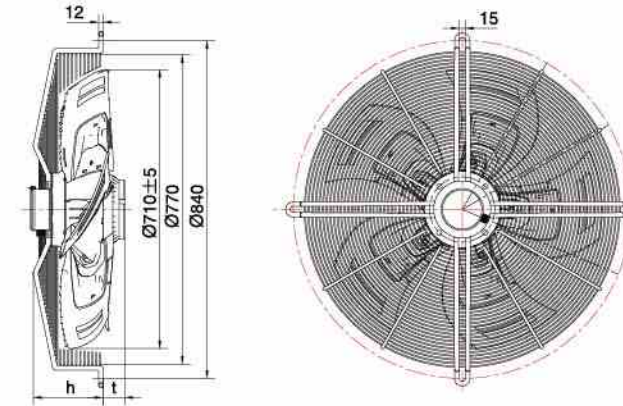


型号 Model	电压 Voltage	频率 Frequency	电容器 Capacitor	曲线 Curve	输入功率 Power	转速 RPM	电流 Current	静压 Psf	环境温度 Temp.	静压效率 ηsf	能效值 EFF.Grade	噪声 Noise	备注 Note
	V	Hz	μF/450V	NO.	W	r/min	A	Pa	℃	%	N	dB/(A)	
YSWF138L76P6-□-710	3~380	50	—	A	880	935	1.71	71	-40~+75	21.02	27.6	71	
		60		B	1489	1058	2.48	109	-40~+55	26.26	31.6	75	
YSWF138L76P8-□-710	3~380	50	—	C	494	717	1.47	46	-40~+70	21.46	30	65	
		60		D	703	835	1.46	66	-40~+70	23.24	31	68	
YSWF138L76P12-□-710	3~380	50	—	E	215	473	0.99	35	-40~+70	20.18	30.7	57	
		60		F	274	548	0.80	50	-40~+70	24.91	34.7	60	
YSWF138L100P4-□-710	3~380	50	—	G	2733	1352	4.66	149	-40~+60	20.60	24	86	
YSWF138L76P6-□-710	3~380	50	—	H	927	927	1.83	82	-40~+70	26.39	33	71	AL

注: 性能曲线在安装马尔导风圈时测得。Note: The performance curve is tested with MaEr wall plate.

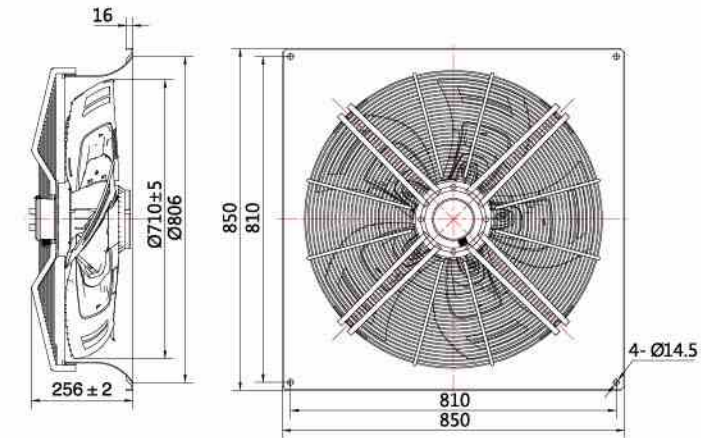
Ø 710 INSTALLATION ACCESSORIES 安装附件

□-840N



常规凹网罩 Concave grid 840N			
型号	MODEL	h	t
YSWF138L76P6-840N-710		175	66
YSWF138L76P8-840N-710		175	66
YSWF138L76P12-840N-710		175	66
YSWF138L100P4-840N-710		175	90
YSWF138L100P6-840N-710		175	90

□-810H



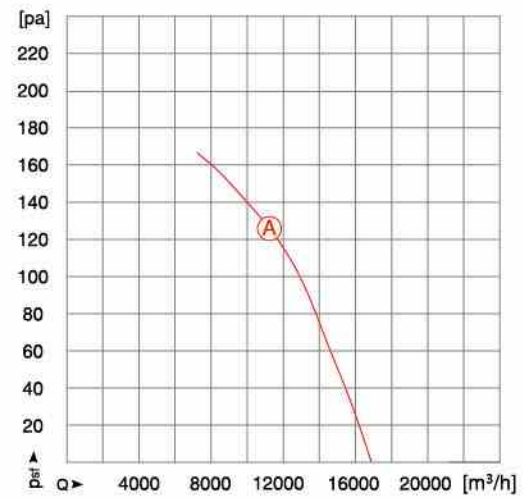
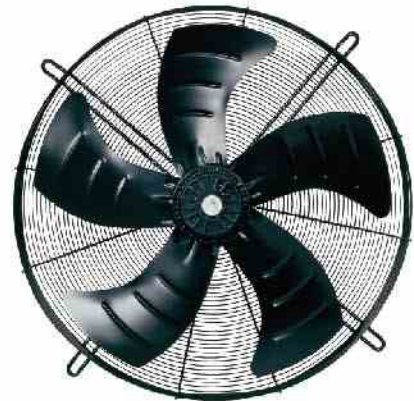
带导风圈 Wall plate 810H	
型号	MODEL
YSWF138L76P6-810H-710	
YSWF138L76P8-810H-710	
YSWF138L76P12-810H-710	
YSWF138L100P4-810H-710	
YSWF138L100P6-810H-710	

MaEr Fan Motor

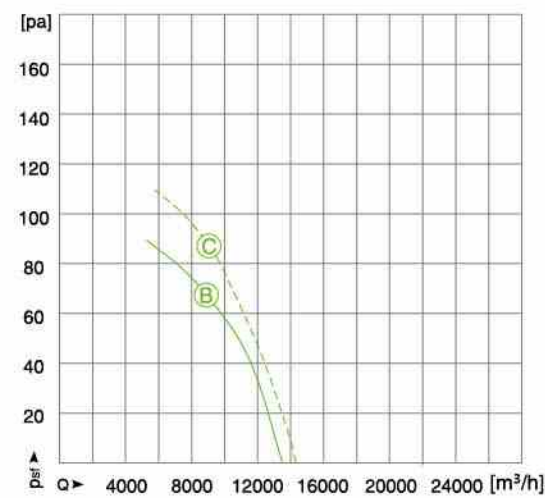
Professional · Honest · Human Oriented



Ø 800 AC AXIAL FAN 外转子轴流风机



动压/ Dynamic pressure: $p_d=1.83 \times 10^{-7} \times Q^2 (p_a)$



型号 Model	电压 Voltage	频率 Frequency	电容器 Capacitor	曲线 Curve	输入功率 Power	转速 RPM	电流 Current	静压 Psf	环境温度 Temp.	静压效率 ηsf	能效值 EFF.Grade	噪声 Noise	备注 Note
	V	Hz	μF/450V	NO.	W	r/min	A	Pa	℃	%	N	dB/(A)	
YSWF127L65P6-□-800	3~380	50	—	A	1126	906	2.44	124	-40~+70	34.79	40.6	77	
YSWF127L65P8-□-800	3~380	50	—	B	704	661	1.63	68	-40~+65	23.78	30.9	75	
		60	—	C	834	747	1.65	85	-40~+65	26.35	33	77	

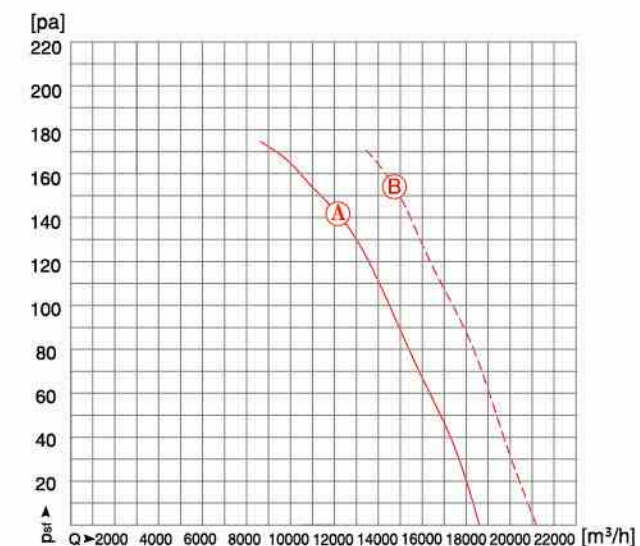
注：性能曲线在安装马尔导风圈时测得。Note: The performance curve is tested with MaEr wall plate.

MaEr Fan Motor

Professional · Honest · Human Oriented



Ø 800 AC AXIAL FAN 外转子轴流风机



动压/ Dynamic pressure: $p_d=1.83 \times 10^{-7} \times Q^2 (p_a)$

型号 Model	电压 Voltage	频率 Frequency	电容器 Capacitor	曲线 Curve	输入功率 Power	转速 RPM	电流 Current	静压 Psf	环境温度 Temp.	静压效率 ηsf	能效值 EFF.Grade	噪声 Noise	备注 Note
	V	Hz	μF/450V	NO.	W	r/min	A	Pa	℃	%	N	dB/(A)	
YSWF127L80P6-□-800	3~380	50	—	A	1369	927	3.36	142	-40~+65	34.98	40.3	78	
		60	—	B	1918	1057	3.68	155	-40~+60	32.98	37.4	80	

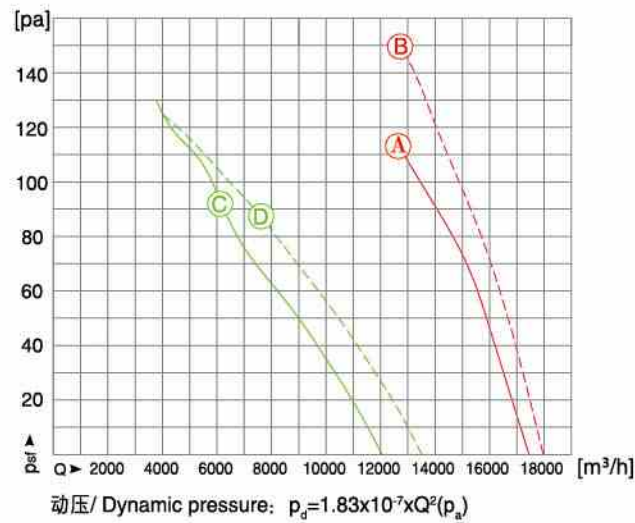
注：性能曲线在安装马尔导风圈时测得。Note: The performance curve is tested with MaEr wall plate.

MaEr Fan Motor

Professional · Honest · Human Oriented



Ø 800 AC AXIAL FAN 外转子轴流风机



型号 Model	电压 Voltage	频率 Frequency	电容器 Capacitor	曲线 Curve	输入功率 Power	转速 RPM	电流 Current	静压 Psf	环境温度 Temp.	静压效率 ηsf	能效值 EFF.Grade	噪声 Noise	备注 Note
	V	Hz	μF/450V	NO.	W	r/min	A	Pa	°C	%	N	dB(A)	
YSWF127L65P6-□-800-7	3~380	50	—	A	1345	895	2.94	116	-40~+60	29.84	35.2	78	
		60		B	1627	814	3.05	149	-40~+50	32.45	37.3	80	
YSWF127L65P8-□-800-7	3~380	50	—	C	716	655	1.52	92	-40~+65	23.78	30.9	75	
		60		D	941	711	1.74	88	-40~+65	26.35	33.0	77	

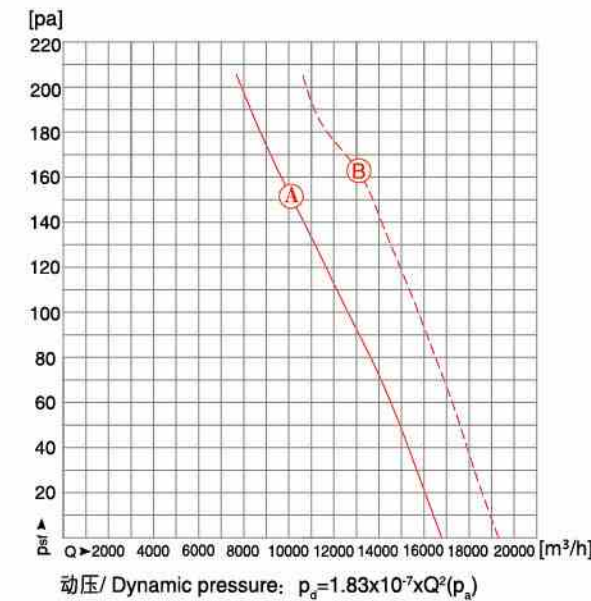
注：性能曲线在安装马尔导风圈时测得。Note: The performance curve is tested with MaEr wall plate.

MaEr Fan Motor

Professional · Honest · Human Oriented



Ø 800 AC AXIAL FAN 外转子轴流风机



型号 Model	电压 Voltage	频率 Frequency	电容器 Capacitor	曲线 Curve	输入功率 Power	转速 RPM	电流 Current	静压 Psf	环境温度 Temp.	静压效率 ηsf	能效值 EFF.Grade	噪声 Noise	备注 Note
	V	Hz	μF/450V	NO.	W	r/min	A	Pa	°C	%	N	dB(A)	
YSWF127L80P6-□-800-7	3~380	50	—	A	1477	919	3.27	154	-40~+60	28.86	34	79	
		60		B	2052	1042	3.73	163	-40~+50	28.85	33.1	81	
YSWF127L80P8-□-800-7	3~380	50	—	C	846	644	1.71	93	-40~+65	22.20	28.9	76	
		60		D	1113	693	2.00	76	-40~+60	18.27	24.2	78	

注：性能曲线在安装马尔导风圈时测得。Note: The performance curve is tested with MaEr wall plate.

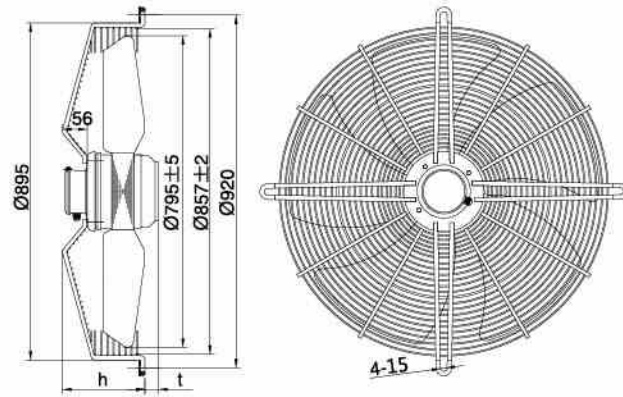
MaEr Fan Motor

Professional · Honest · Human Oriented



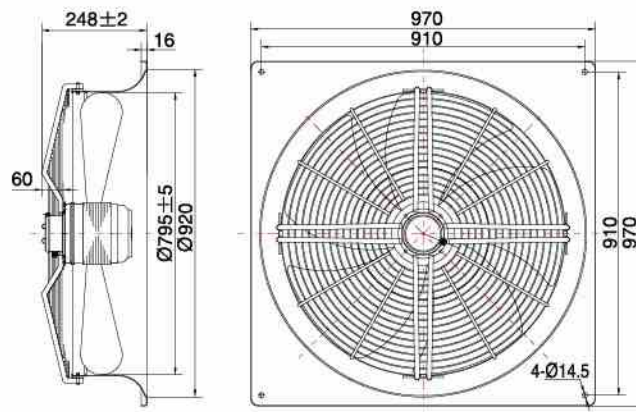
Ø 800 INSTALLATION ACCESSORIES 安装附件

□-920N



常规凹网罩 Concave grid 920N			
型号 MODEL		h	t
YSWF127L65P6-920N-800		175	57
YSWF127L65P8-920N-800		175	57
YSWF127L80P6-920N-800		175	72

□-910H



带导风圈 Wall plate 910H	
型号 MODEL	
YSWF127L65P6-910H-800	
YSWF127L65P8-910H-800	
YSWF127L80P6-910H-800	

MaEr Fan Motor

Professional · Honest · Human Oriented



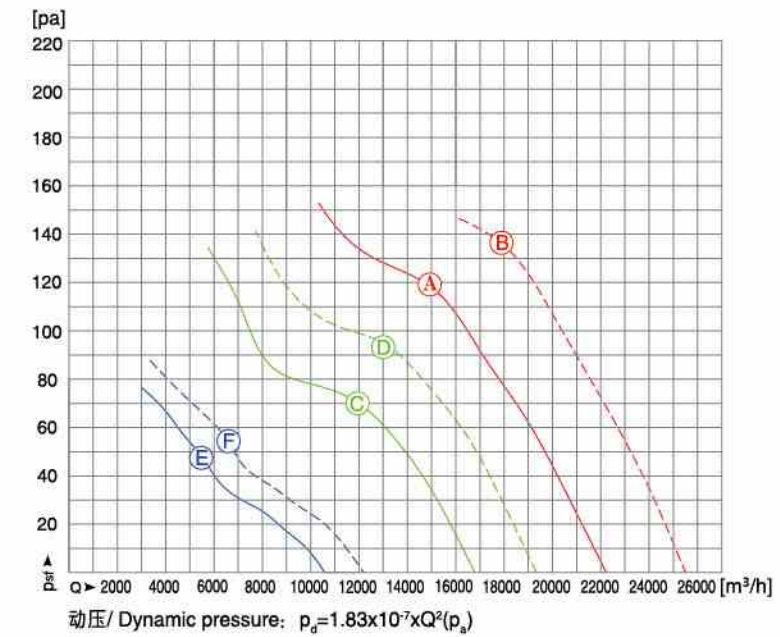
Ø 800 AC AXIAL FAN 外转子轴流风机



叶轮材质: 铝合金式
铝合金塑料混合式



Impeller Material: Aluminum
Hybrid



型号 Model	电压 Voltage	频率 Frequency	电容器 Capacitor	曲线 Curve	输入功率 Power	转速 RPM	电流 Current	静压 Psf	环境温度 Temp.	静压效率 ηsf	能效值 EFF.Grade	噪声 Noise	备注 Note
	V	Hz	μF/450V	NO.	W	r/min	A	Pa	℃	%	N	dB(A)	
YSWF138L100P6-□-800	3~380	50	—	A	1923	925	4.21	119	-40~+65	25.54	30.1	76	
		60		B	2873	1045	5.23	136	-40~+55	23.56	27	78	
YSWF138L100P8-□-800	3~380	50	—	C	918	702	2.30	70	-40~+65	25.44	32.1	73	
		60		D	1385	795	2.60	96	-40~+65	24.66	30.2	75	
YSWF138L76P12-□-800	3~380	50	—	E	349	444	0.98	48	-40~+65	21.05	30.1	59	
		60		F	457	492	1.01	56	-40~+65	22.05	30.4	62	

注: 性能曲线在安装马尔导风圈时测得。Note: The performance curve is tested with MaEr wall plate.

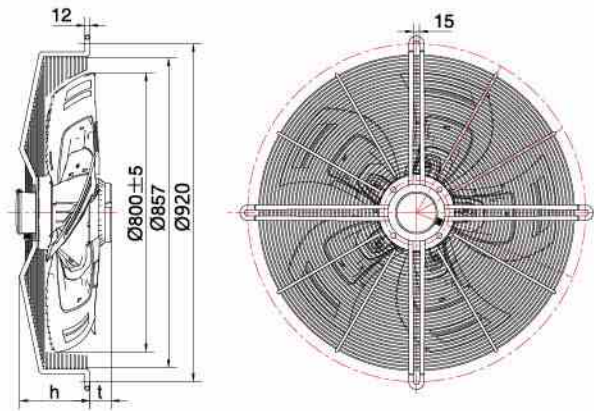
MaEr Fan Motor

Professional · Honest · Human Oriented



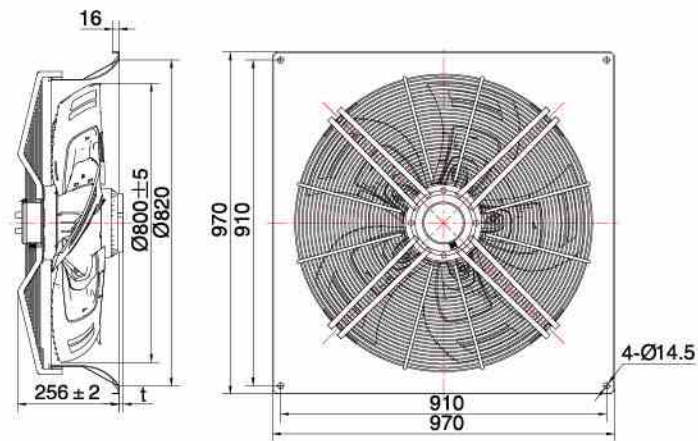
Ø 800 INSTALLATION ACCESSORIES 安装附件

□-920N



常规凹网罩 Concave grid 920N			
型号 MODEL	h	t	
YSWF138L100P6-920N-800	175	90	
YSWF138L100P8-920N-800	175	90	
YSWF138L76P12-920N-800	175	66	

□-910H



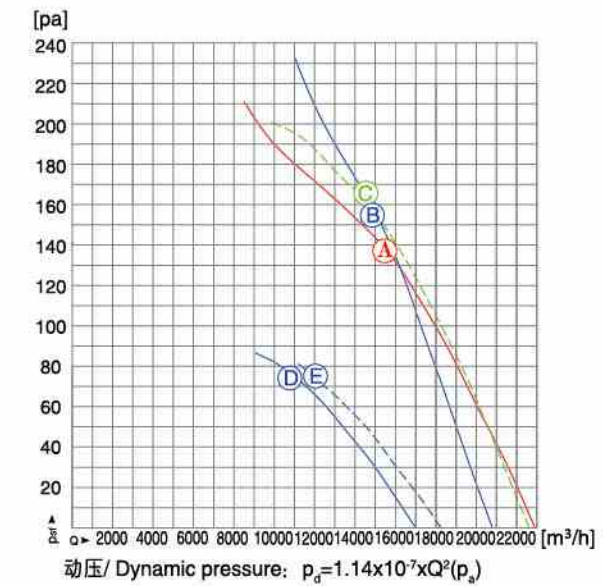
带导风圈 Wall plate 910H		
型号 MODEL	t	
YSWF138L100P6-910H-800	15	
YSWF138L100P8-910H-800	15	
YSWF138L76P12-910H-800	—	

MaEr Fan Motor

Professional · Honest · Human Oriented



Ø 900 AC AXIAL FAN 外转子轴流风机



型号 Model	电压 Voltage	频率 Frequency	电容器 Capacitor	曲线 Curve	输入功率 Power	转速 RPM	电流 Current	静压 Psf	环境温度 Temp.	静压效率 η_{sf}	能效值 EFF.Grade	噪声 Noise	备注 Note
	V	Hz	$\mu F/450V$	NO.	W	r/min	A	Pa	$^{\circ}C$	%	N	dB/(A)	
YSWF127L80P6-□-900	3~380	50	—	(A)	1738	901	3.62	135	-40~+60	33.99	38.9	77	
YSWF127L80P6-□-900	3~380	50	—	(B)	1770	891	3.72	158	-40~+60	36.95	41.6	76	
		60	—	(C)	1879	1061	3.69	165	-40~+55	35.53	40	78	
YSWF127L80P8-□-900	3~380	50	—	(D)	849	633	1.77	75	-40~+65	26.95	34	69	
		60	—	(E)	1018	693	1.89	76	-40~+60	24.42	30.5	71	

注：性能曲线在安装马尔导风圈时测得。 Note: The performance curve is tested with MaEr wall plate.

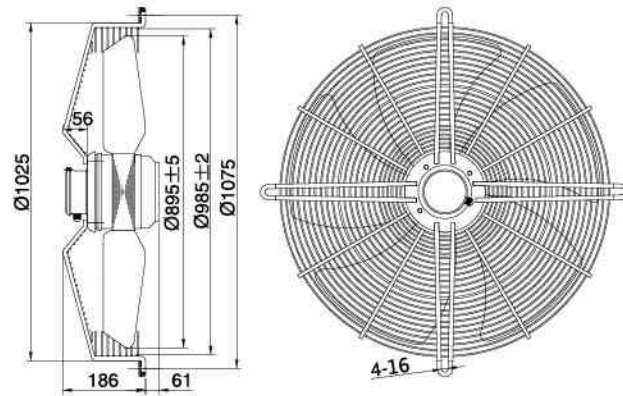
MaEr Fan Motor

Professional · Honest · Human Oriented



Ø 900 INSTALLATION ACCESSORIES 安装附件

□-1075N



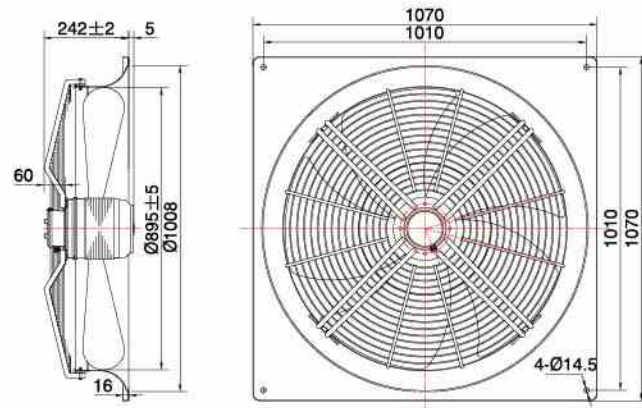
常规凹网罩 Concave grid 1075N

型号 MODEL

YSWF127L80P6-1075N-900

YSWF127L80P8-1075N-900

□-1010H



带导风圈 Wall plate 1010H

型号 MODEL

YSWF127L80P6-1010H-900

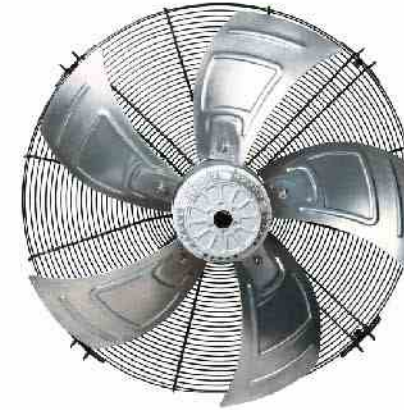
YSWF127L80P8-1010H-900

MaEr Fan Motor

Professional · Honest · Human Oriented



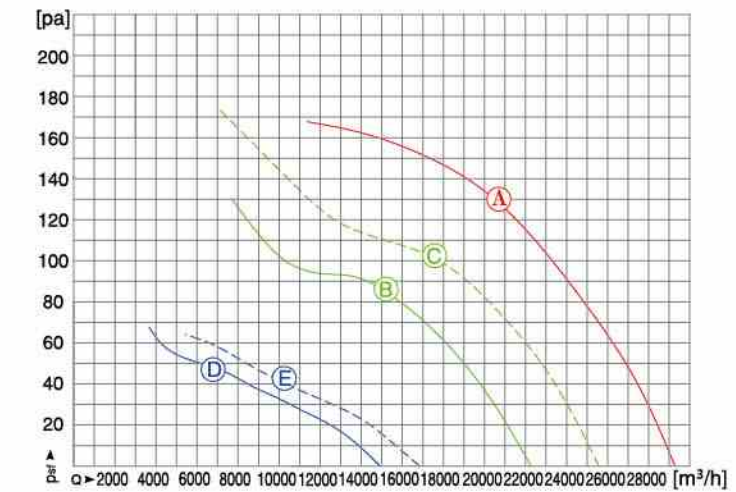
Ø 900 AC AXIAL FAN 外转子轴流风机



叶轮材质: 铝合金塑料混合式



Impeller Material: Hybrid



动压/ Dynamic pressure: $p_d = 1.14 \times 10^{-7} \times Q^2 (p_a)$

型号 Model	电压 Voltage	频率 Frequency	电容器 Capacitor	曲线 Curve	输入功率 Power	转速 RPM	电流 Current	静压 Psf	环境温度 Temp.	静压效率 η_{sf}	能效值 EFF.Grade	噪声 Noise	备注 Note
	V	Hz	$\mu F/450V$	NO.	W	r/min	A	Pa	°C	%	N	dB/(A)	
YSWF138L118P6-1010H-900	3~380	50	—	A	2579	905	4.98	130	-40~+50	28.72	32	77	
YSWF138L118P8-1010H-900	3~380	50	—	B	1268	691	2.91	83	-40~+65	28.13	34	71	
		60	—	C	1851	779	3.39	103	-40~+65	26.60	31	73	
YSWF138L76P12-1010H-900	3~380	50	—	D	393	434	1.02	47	-40~+65	23.70	32.5	63	
		60	—	E	514	472	1.10	41	-40~+65	22.46	30.5	65	

注: 性能曲线在安装马尔导风圈时测得。Note: The performance curve is tested with MaEr wall plate.

MaEr Fan Motor

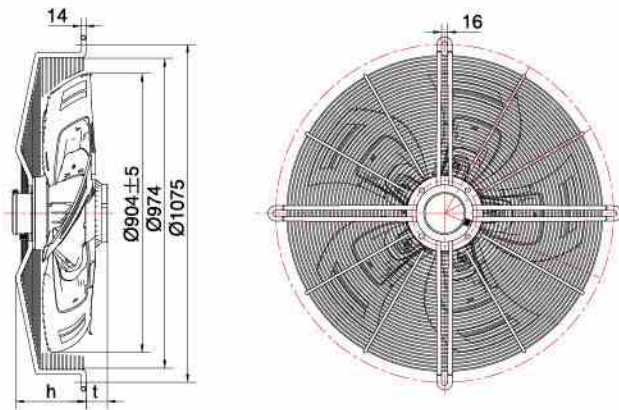
Professional · Honest · Human Oriented



Yilida
info@yilida.com

Ø 900 INSTALLATION ACCESSORIES 安装附件

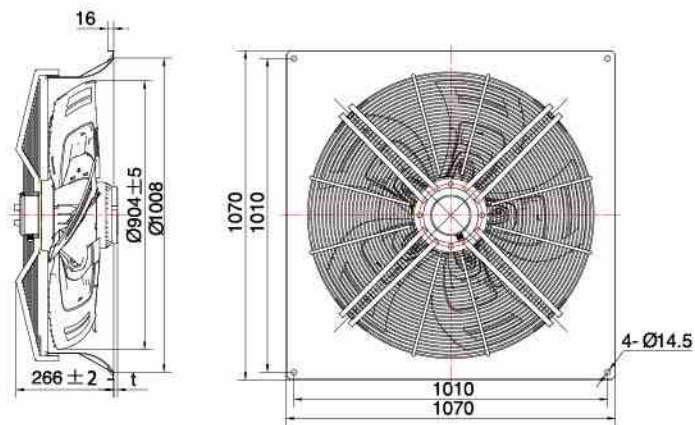
□-1075N



常规凹网罩 Concave grid 1075N

型号 MODEL	h	t
YSWF138L118P6-1075N-900	186	94
YSWF138L118P8-1075N-900	186	94
YSWF138L76P12-1075N-900	186	52

□-1010H



带导风圈 Wall plate 1010H

型号 MODEL	t
YSWF138L118P6-1010H-900	40
YSWF138L118P8-1010H-900	40
YSWF138L76P12-1010H-900	—

MaEr Fan Motor

Professional · Honest · Human Oriented



Yilida
info@yilida.com



Shaded pole motor

罩极电机系列

MaEr Fan Motor

Professional · Honest · Human Oriented



罩极电机 SHADED POLE MOTOR



1. 整体说明

- (1) 工作方式: 连续S1
- (2) 电动机采用含油轴承, 电机平均寿命不小于20000小时。
- (3) 防护等级为IP42。
- (4) 绝缘等级为B级或F级, 输出功率在10W以上的, 内置有热保护器, 动作温度为B 130±5℃或F 150±5℃。
- (5) 电动机额定电压为220-240V, 50/60Hz, 其他电压或双电压需定制。

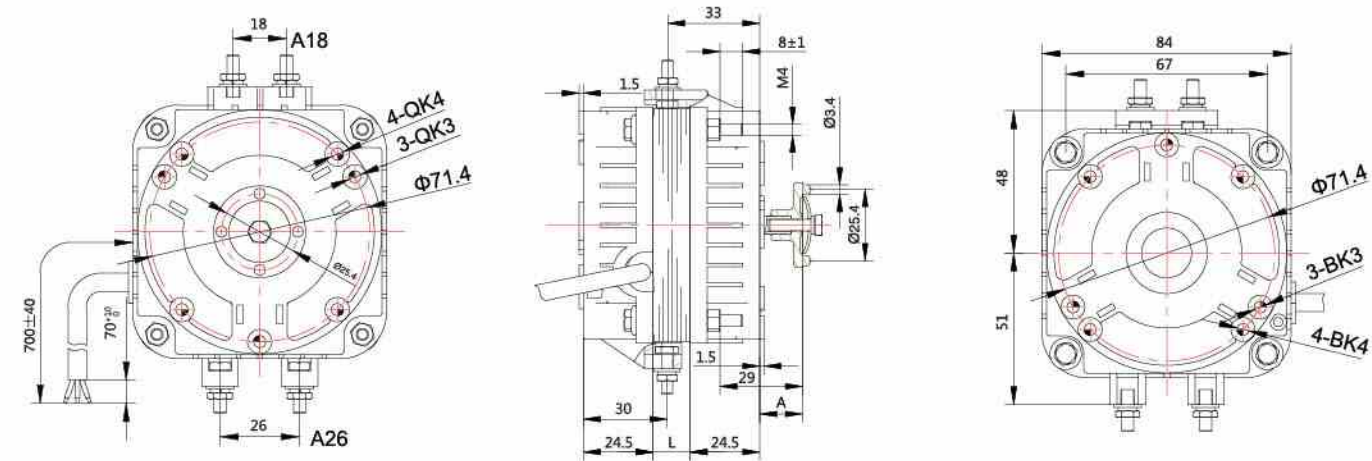
General Information:

1. Working mode: continuous S1
2. The motor adopts oil bearing, motor's life in average shall be no less than 20'000 hours.
3. Protection level is IP42.
4. Insulation class B or F. The models with input power over 10W TPC built-in, and its operating temperature is B 130±5℃ or F 150±5℃.
5. Regular voltage is 220 - 240V, 50/60Hz, dual voltage or special voltage should be customized.

电机参数表 Motor parameters

型号 MODEL	电压 UAC	频率 f	输出功率 P2	输入功率 P1	电流 I	转速 n	L	A
	V	Hz	W	W	A	r/min	mm	mm
YZF45L13P4-3*	230±5%	50	3	20	0.15	1300	13	13.5
		60	18	18	0.14	1550		
YZF45L13P4-5*	230±5%	50	5	29	0.20	1300	13	13.5
		60	26	26	0.17	1550		
YZF45L20P4-7*	230±5%	50	7	31	0.23	1300	20	15
		60	30	30	0.20	1550		
YZF45L20P4-10*	230±5%	50	10	36	0.25	1300	20	15
		60	33	33	0.22	1550		
YZF45L25P4-16*	230±5%	50	16	60	0.45	1300	25	19
		60	58	58	0.36	1550		
YZF45L30P4-18*	230±5%	50	18	70	0.50	1300	30	15.5
		60	68	68	0.43	1550		
YZF45L40P4-25*	230±5%	50	25	90	0.70	1300	40	21.5
		60	83	83	0.65	1550		
YZF45L45P4-34*	230±5%	50	34	110	0.85	1300	45	21.5
		60	100	100	0.75	1550		

*注: 转向标记, CW, CCW。 *Note: rotation, CW - Clock Wise, CCW - Counter Clock Wise.

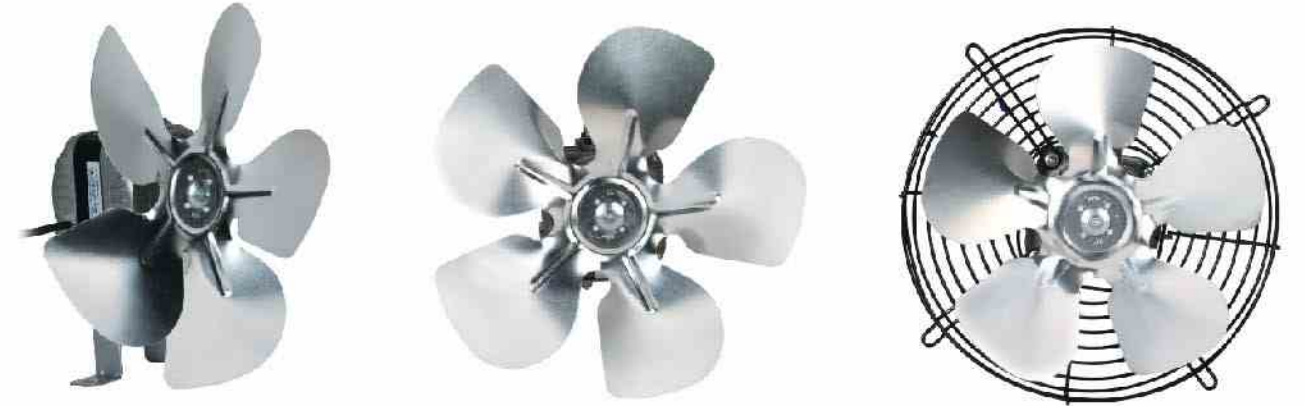


MaEr Fan Motor

Professional · Honest · Human Oriented



罩极电机 SHADED POLE MOTOR



风叶配合运行参数 Aluminum blade running parameter

型号 MODEL	电压 UAC	频率 f	输入功率 P1	电流 I	转速 n	风量 Q ₀ (l)	环境温度 Temp. °C
	V	Hz	W	A	r/min	m ³ /h	°C
YZF45L13P4-3-□-172/28*	230±5%	50	20	0.15	1336	250	-30~+75
		60	20	0.13	1565	290	-30~+75
YZF45L13P4-3-□-172/31*	230±5%	50	20	0.15	1315	273	-30~+75
		60	21	0.14	1523	316	-30~+75
YZF45L13P4-5-□-200/28*	230±5%	50	26	0.19	1286	355	-30~+65
		60	26	0.17	1495	423	-30~+65
YZF45L20P4-7-□-200/34*	230±5%	50	32	0.15	1327	441	-30~+65
		60	33	0.14	1515	504	-30~+65
YZF45L20P4-7-□-230/25*	230±5%	50	33	0.23	1275	560	-30~+70
		60	36	0.23	1365	640	-30~+65
YZF45L20P4-10-□-230/28*	230±5%	50	39	0.26	1285	650	-30~+60
		60	38	0.25	1465	820	-30~+60
YZF45L25P4-16-□-230/34*	230±5%	50	53	0.28	1381	718	-30~+55
		60	54	0.25	1630	847	-30~+55
YZF45L25P4-16-□-254/25*	230±5%	50	50	0.417	1388	732	-30~+55
		60	50	0.369	1641	895	-30~+55
YZF45L25P4-16-□-254/28*	230±5%	50	52	0.416	1360	820	-30~+55
		60	54	0.381	1594	961	-30~+55

*注: 风向标记, B—吹风, S—吸风。 *Note: air flow direction, B - Blowing and S - Suction.

□注: 安装代号, 见附表。 □ Note: Installation code, see Accessories.

注1: Q0为静压0Pa时风量。 Note 1: Q0 for air volume at 0Pa static.

□ - 安装附件表 Accessories

安装代号 Installation code	A18螺栓 A18 bolt	A26螺栓 A26 bolt	前3孔 QK3 (Front with 3 hole)	前4孔 QK4 (Front with 4 hole)	后3孔 BK3 (Behind with 3 hole)	后4孔 BK4 (Behind with 4 hole)	网罩 Grid	法兰 Ring	支架 Bracket
00	—	—	—	—	—	—	—	—	—
A18	2-M4X14	—	—	—	—	—	—	—	—
A26	—	2-M4X14	—	—	—	—	—	—	—
A1826	2-M4X14	2-M4X14	—	—	—	—	—	—	—
***Z	—	—	—	—	—	—	选配 Select	—	—
***R	—	—	—	—	—	—	—	选配 Select	—
H***	选配 Select	选配 Select	—	—	—	—	—	—	选配 Select
QK3	—	—	3-M4X5	—	—	—	—	—	—
QK4	—	—	—	4-M4X5	—	—	—	—	—
BK3	—	—	—	—	3-M4X5	—	—	—	—
BK4	—	—	—	—	—	4-M4X5	—	—	—

注: 安装代号为***Z、***R时, 电机、风叶和附件可选择整装后包装, 其余均为散装。

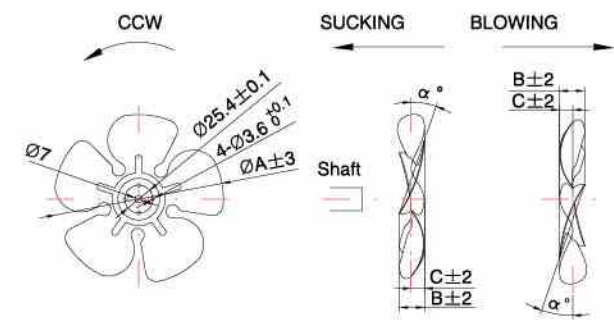
Note: for ***Z and ***R, motor, impeller and accessories can be packed after assembly; others will be separated package.

MaEr Fan Motor

Professional · Honest · Human Oriented

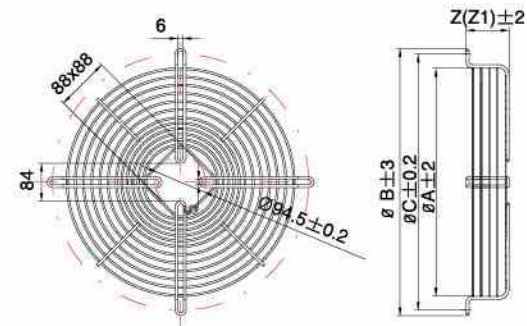


风叶叶片 Fan Blade



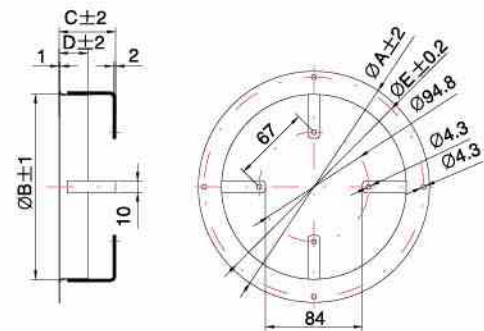
FAN TYPE	α	mm											
		19°		22°		25°		28°		31°		34°	
	A	B	C	B	C	B	C	B	C	B	C	B	C
Φ154	154	23	12	26	13	29	15	32	17	36	18	39	21
Φ172	172	25	13	28	14	31	16	34	17	38	18	41	21
Φ200	200	27	14	30	15	33	17	36	19	40	21	43	24
Φ230	230	30	15	33	16	36	19	39	21	42	20	45	23
Φ254	254	32	15	35	16	38	18	41	21	44	22	47	23
Φ300	300	31	16	35	17	41	22	44	22	48	25	52	27

网罩 Grid



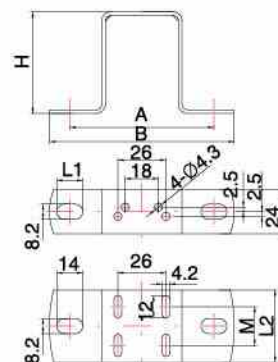
TYPE	A	B	C	Z	Z1
Φ154	170	202	190	11	37
Φ172	188	220	208	11	37
Φ200	214	248	236	25	40
Φ230	246	278	266	27	40
Φ254	270	302	290	17	40
Φ300	324	356	344	17	50

法兰 Ring



TYPE	A	B	C	D	E
Φ154	200	162	49	25	190
Φ172	223	180	49	25	208
Φ200	246	208	49	25	236
Φ230	278	238	49	25	266
Φ254	300	268	49	25	290
Φ300	378	308	49	30	365

支架 Bracket



TYPE	H	A	B	L1	L2	M
H39	39	78	100	14	-	-
H55	55	81	106	13	-	-
H72	72	81	106	13	-	-
H84	84	81	106	20	-	-
H109-1	109	81	106	14	-	-
H109-2	109	78	100	14	39	21
H109-3	109	78	100	14	49	29

MaEr Fan Motor

Professional · Honest · Human Oriented



AC CENTRIFUGAL FAN

AC外转子离心风机

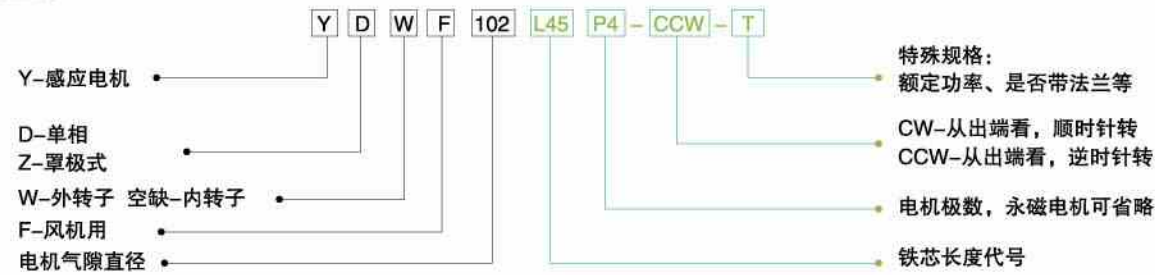
MaEr Fan Motor

Professional · Honest · Human Oriented

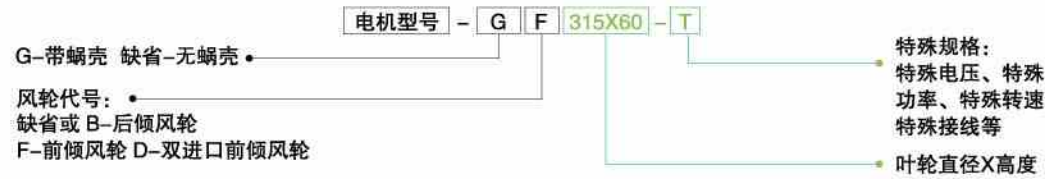


产品介绍

一、电机型号



二、外转子离心风机型号



三、电压

单相风机和380V/50Hz三相风机允许工作电压范围为±5%，400V/50Hz三相风机允许工作电压范围为±10%，三相60Hz风机允许工作电压范围为-10%~+20%。

四、风量曲线

按照GB/T 1236 (IDT ISO 5801)，采用A型风室吸气试验装置，风机运用马尔引风圈并在标称电压下，换算到标准大气压20°C时的性能。所标压力为叶轮静压psf。

五、性能参数

参数表所列参数，为标准电压下风量曲线测试结果中最大消耗功率时的参数，该功率参数下风机在规定的环境温度（热交换空气温度）下长时间运行。噪声为自由状态时风机出口（45°）1米处的实测值。非标称电压下或有其他改变的参数，以规格书为准。

六、单相电机内均安装有热保护器，其动作温度为F级——150±5°C。三相电机若需安装热保护器，订货时应说明。

七、当客户需对外转子电机进行抽头调速时，为保证低速档的滑差性能要求，高速档的转速和风量相对于常规产品会有所调低。

八、常规产品引出线长度为0.8~1米，特殊长度及装接线盒需特殊说明。

九、所提供图片和尺寸仅供参考，具体以马尔样机和规格书为准。

十、客户提供主要资料

电压频率	1-单相	V	Hz	± %	3-三相	V	Hz	± %
		V	Hz	± %		V	Hz	± %
调速	1-单相	<input type="checkbox"/> 并头二速	<input type="checkbox"/> 抽头二速	<input type="checkbox"/> 抽头三速	3-三相	<input type="checkbox"/> Y/Δ调速	<input type="checkbox"/> Y/Δ双电压	
		<input type="checkbox"/> SCR调速		<input type="checkbox"/> 不调速		<input type="checkbox"/> 变频		<input type="checkbox"/> 不调速
性能要求	<input type="checkbox"/> 按参数要求	pa	m³/h	r/min	W	能效要求:	<input type="checkbox"/> 无要求	
		pa	m³/h	r/min	W		<input type="checkbox"/> ERP2015	
		按马尔 _____ 样本曲线	p. _____	曲线 _____		<input type="checkbox"/> 按附图曲线要求		
出线	<input type="checkbox"/> 带接线盒	<input type="checkbox"/> 带引出线 _____ m			电机转向	<input type="checkbox"/> CCW	<input type="checkbox"/> CW	
运行环境	<input type="checkbox"/> 室内	<input type="checkbox"/> 室外	空气温度°C	____ ~ ____	热保护器	<input type="checkbox"/> 无	<input type="checkbox"/> 内置	<input type="checkbox"/> 外置

需方: _____ 联系人: _____ 电话: _____ E-mail: _____ 日期: _____

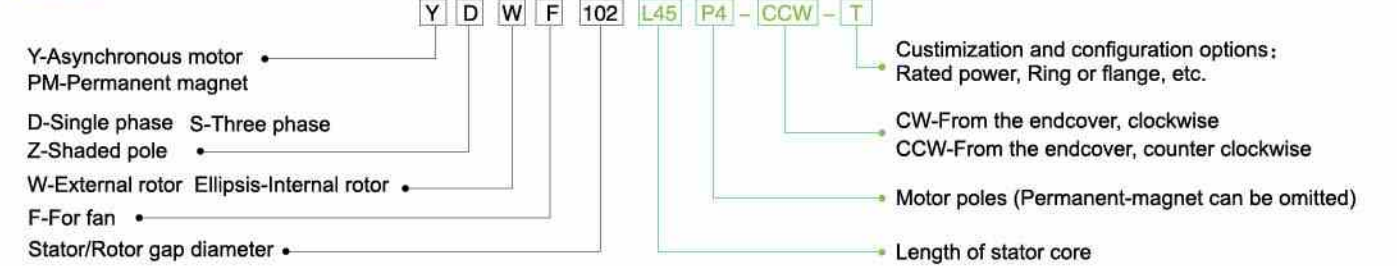
MaEr Fan Motor

Professional · Honest · Human Oriented

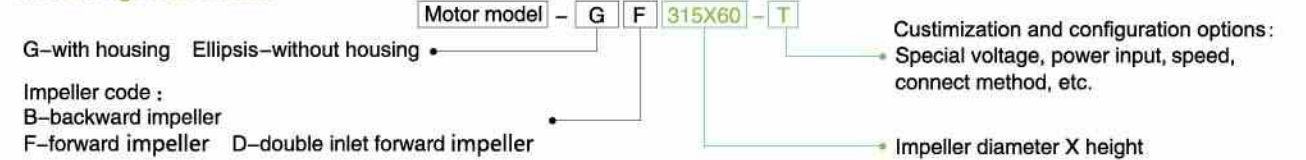


PRODUCT INTRODUCTION

I. Motor



II. Centifugal fan model



III. Voltage

The allowed working voltage fluctuation range for single phase fan and 380v/50Hz three phase fan is ±5%, while ±10% for 400v/50Hz three phase fan; the allowed working voltage fluctuation range for 60Hz fan is from -10% to +20%.

IV. Airflow curve

According to GB/T 1236(IDT ISO 5801) and using A type wind room air suction test device. The airflow curve is measured by MaEr wall plate without guard, calculating the performance value under standard atmosphere 20°C. The value here is the impeller static pressure psf.

V. Performance parameter

The listed parameter is measured at the highest static pressure efficiency, when the fan is able to fun for long time under regulated environment temperature. If the energy efficiency value ≥ 40, then the energy efficiency for the fan is ErP 2015. If N is not mentioned, it means this type of fan has no request on ErP 2015. The noise is measured at one meter place from the fan outlet (45°) when it runs freely. But error happens under irregular voltage please refer to the specification.

VI. Single phase motor is usually equipped with a thermal protector, the operating temperature is level B-130±5°C, level F-150±5°C. If you need to install thermal protector for three phase motor, please specify.

VII. When the client needs to do tapping speed-regulation to the external rotor motor, the max. rotation speed and airflow volume shall be reduced compared with regular products to meet the low speed slip differential performance requirements.

VIII. The length of the lead wire for regular products is 0.8~1m, special requests on the length or junction box shall be specified.

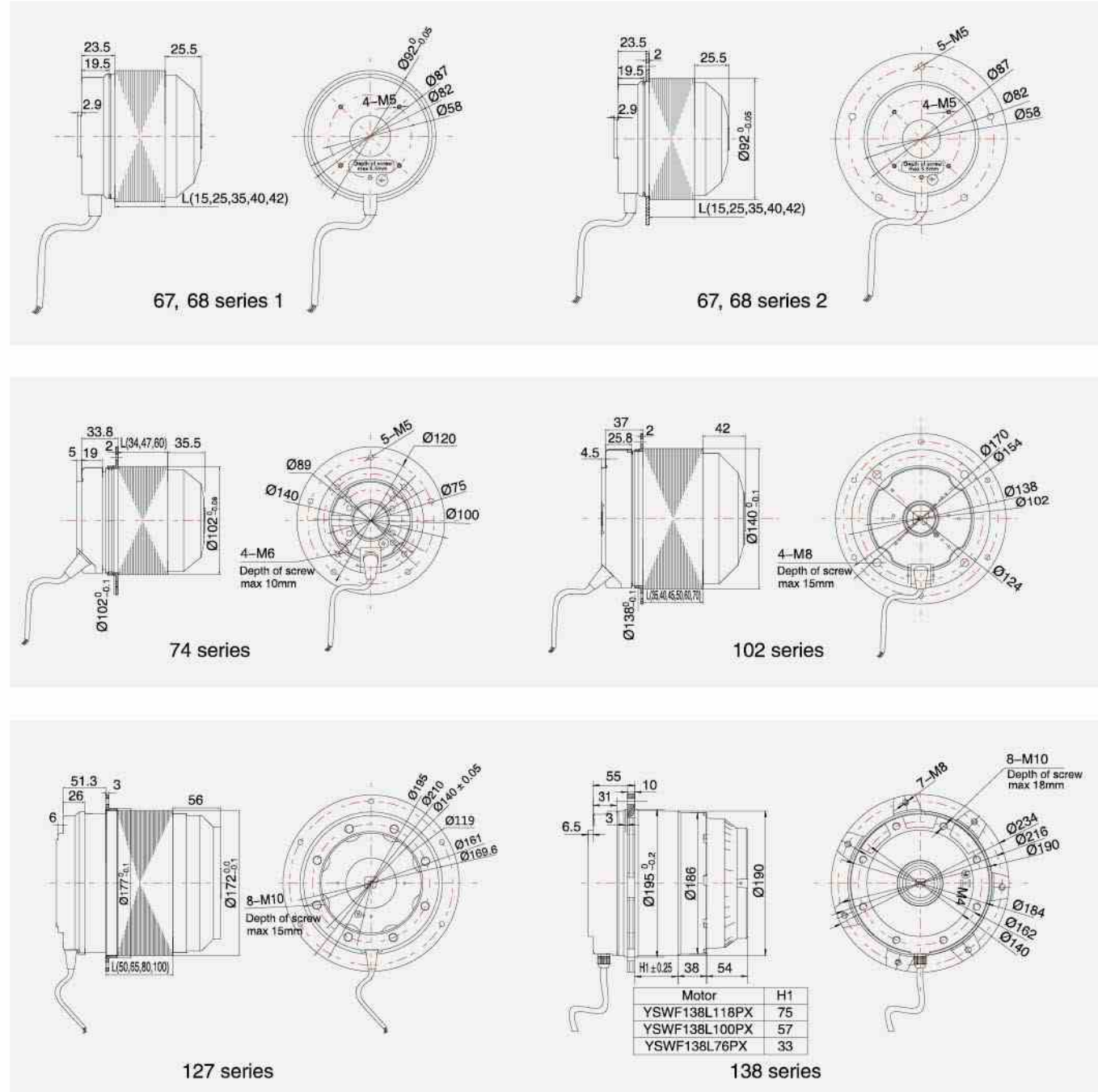
IX. The provided photos and dimensions are for reference only, please refer to the MaEr sample fan and specification for details.

XI. Information from customers

Voltage frequency	1- single phase	V	Hz	± %	3- three phase	V	Hz	± %
		V	Hz	± %		V	Hz	± %
Adjustable	1- single phase	<input type="checkbox"/> Dual speed paralleling	<input type="checkbox"/> Dual speed tapping	<input type="checkbox"/> Tri-speed tapping	3- three phase	<input type="checkbox"/> Y/Δ transform speed	<input type="checkbox"/> Y/Δ dual voltage	
		<input type="checkbox"/> SCR speed		<input type="checkbox"/> Constant speed		<input type="checkbox"/> Frequency conversion		<input type="checkbox"/> Constant speed
Performance requirement	<input type="checkbox"/> By parameter	pa	m³/h	r/min	W	Energy requirement	<input type="checkbox"/> No requirement	
		pa	m³/h	r/min	W		<input type="checkbox"/> ERP2015	
		According to MaEr _____ sample curve	p. _____	Curve _____		<input type="checkbox"/> Requirements according to curve		
Outlet	<input type="checkbox"/> Junction box	<input type="checkbox"/> Lead out line _____ m			Motor steering	<input type="checkbox"/> CCW	<input type="checkbox"/> CW	
Operating environment	<input type="checkbox"/> Indoor	<input type="checkbox"/> Outdoor		____ ~ ____	Thermal protector	<input type="checkbox"/> No	<input type="checkbox"/> Built-in	<input type="checkbox"/> Built-out

Customer: _____ Contactor: _____ Tel: _____ E-mail: _____ Date: _____

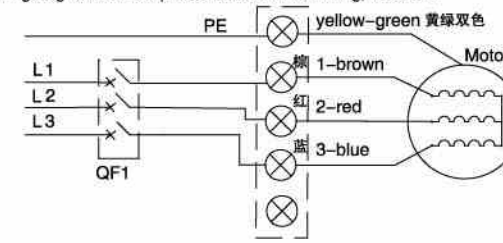
外转子电机外形及安装图 INDICATION AND DIAGRAM



接线图 | WIRING DIAGRAM

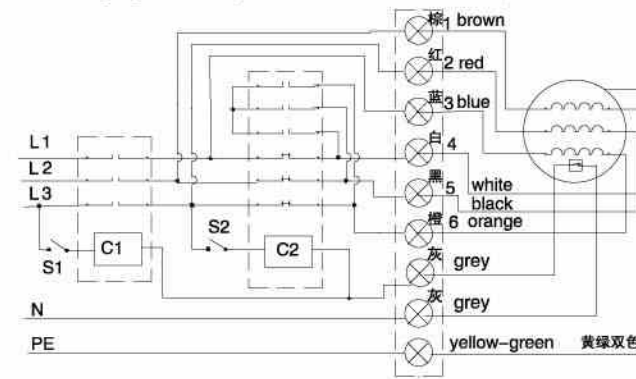
1、普通三相风机接线图

Wiring diagram for three phase motor common wiring, without TP



2、三相Y/Δ运行、带热保护器风机接线图

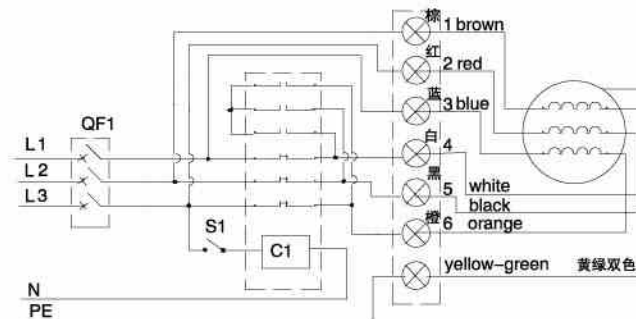
Wiring diagram for three phase motor with Y/Δ transformation, with TP



C1-运行控制接触器,S1接通,风机运行。
C2-Y/Δ运行控制接触器,S2断开,Δ接法;S2接通,Y接法。
C1-Contactor, fan runs when S1 ON.
C2-Y/Δ transformer, Δ circuit when S2 OFF; Y circuit when S2 ON.

3、三相Y/Δ运行、不带热保护器风机接线图

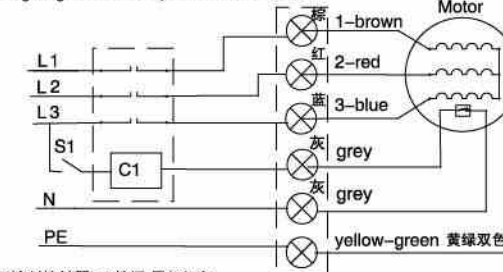
Wiring diagram I for three phase motor with Y/Δ transformation, without TP



QF1-运行控制空气开关,QF1接通,风机运行。
C1-Y/Δ运行控制接触器,S1断开,Δ接法;S1接通,Y接法。
QF1- Air circuit-breaker, fan runs when QF1 ON.
C1- Y/Δ transformer, Δ circuit when S1 OFF; Y circuit when S1 ON.

4、三相风机带热保护器风机接线图

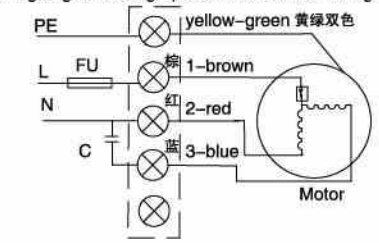
Wiring diagram for three phase motor with TP



C1-运行控制接触器,S1接通,风机运行。
C1- Contactor, fan runs when S1 ON.

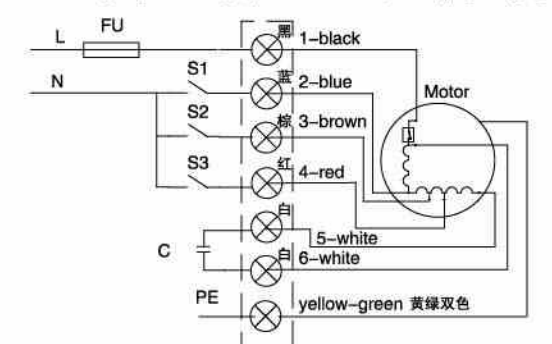
5、普通单相风机接线图

Wiring diagram for single phase motor common wiring



6、单相抽头调速风机接线图

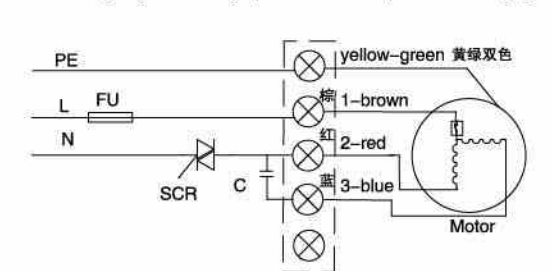
Wiring diagram for single phase motor with speed tapping changing



警告:
S1、S2、S3必须互锁,每时只限于一只合上。
S1、S2、S3分别为高、中、低速档开关。电动机启动应由S1完成。
NOTICE:
S1, S2, S3 must be locked down by each other, each time only one switch can be turn ON.
S1, S2, S3 are switches for HIGH, MIDDLE and LOW speed each.
Motor running should be started from S1 ON circuit.

7、单相风机SCR调速接线图I

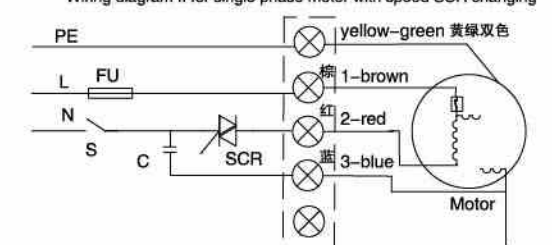
Wiring diagram I for single phase motor with speed SCR changing



仅适用于67、68、74系列电机。
Only for motor series 67, 68, 74.

8、单相风机SCR调速接线图II

Wiring diagram II for single phase motor with speed SCR changing



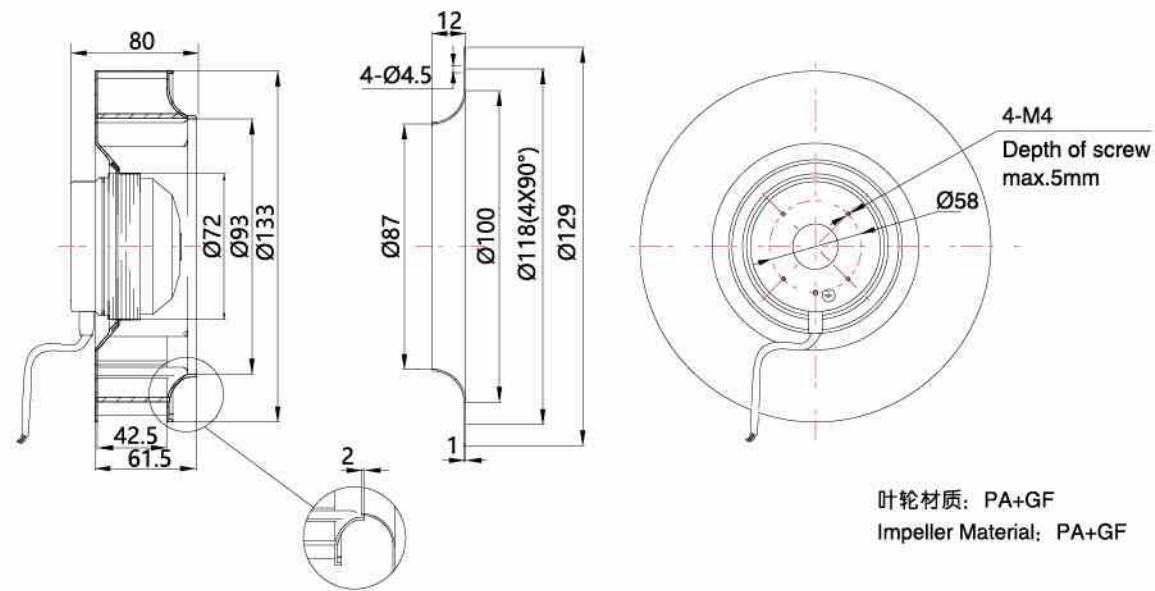
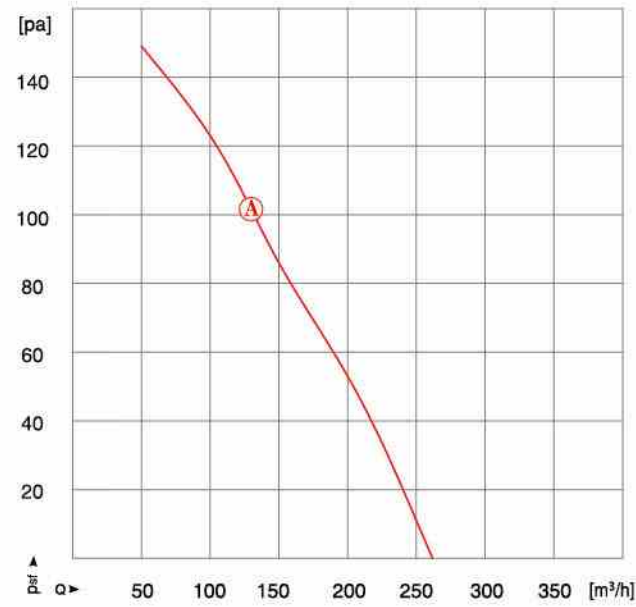
适用于67,68,74,102系列电机。
For motor series 67, 68, 74 and 102.

MaEr Fan Motor

Professional · Honest · Human Oriented



Ø 133 AC BACKWARD CENTRIFUGAL FAN AC外转子后倾离心风机



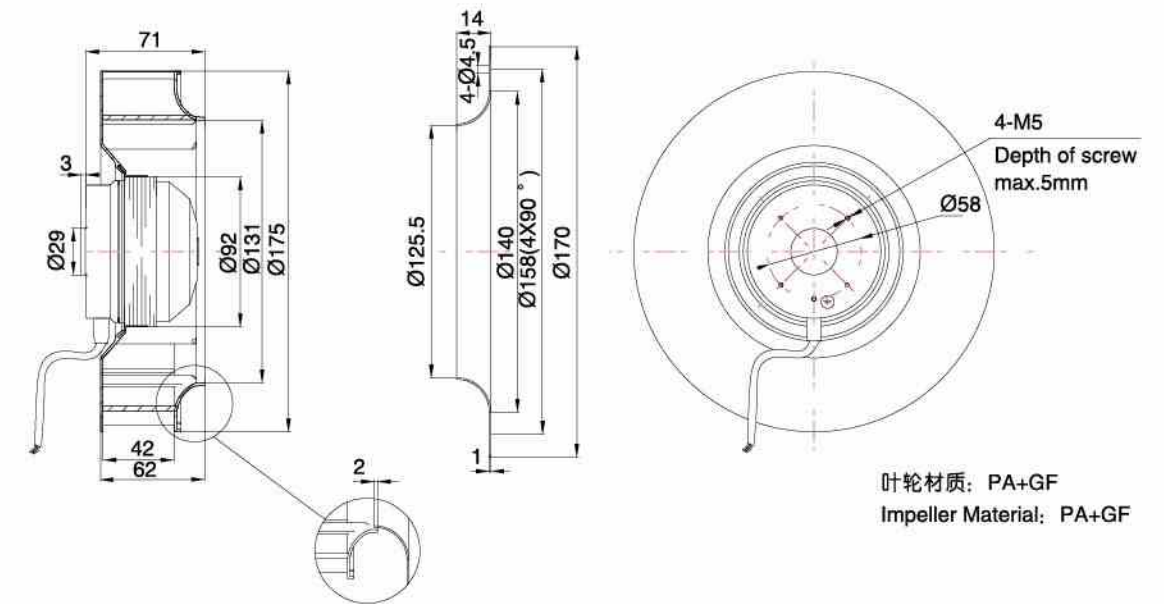
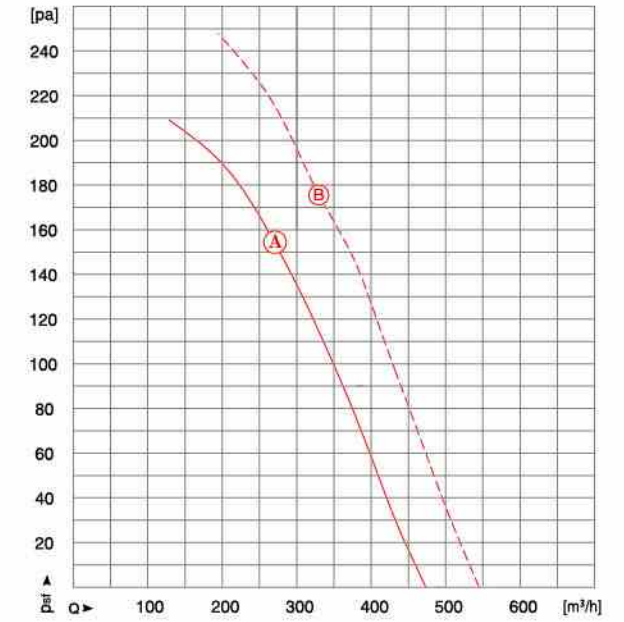
型号 Model	电压 Voltage	频率 Frequency	电容器 Capacitor	曲线 Curve	输入功率 Power	转速 RPM	电流 Current	环境温度 Temp.	噪声 Noise	净重 N.W.	备注 Note
	V	Hz	µF/450V	NO.	W	r/min	A	℃	dB/(A)	kg	
YDWF52L20P2-B133X60	1~230	50	1.5	A	30	2600	0.15	-25~+45	55	0.9	

MaEr Fan Motor

Professional · Honest · Human Oriented



Ø 175 AC BACKWARD CENTRIFUGAL FAN AC外转子后倾离心风机



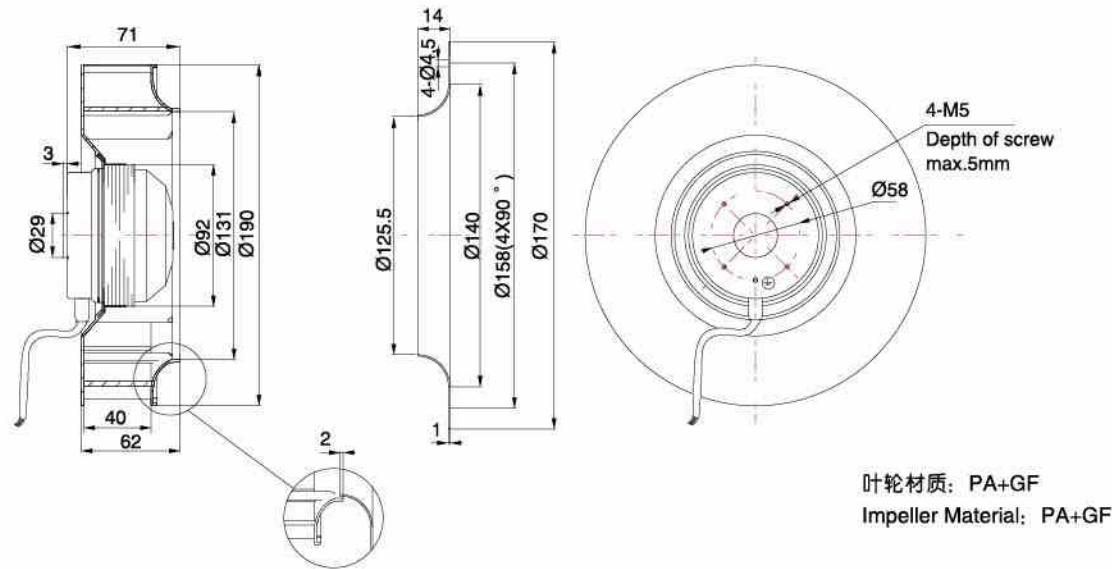
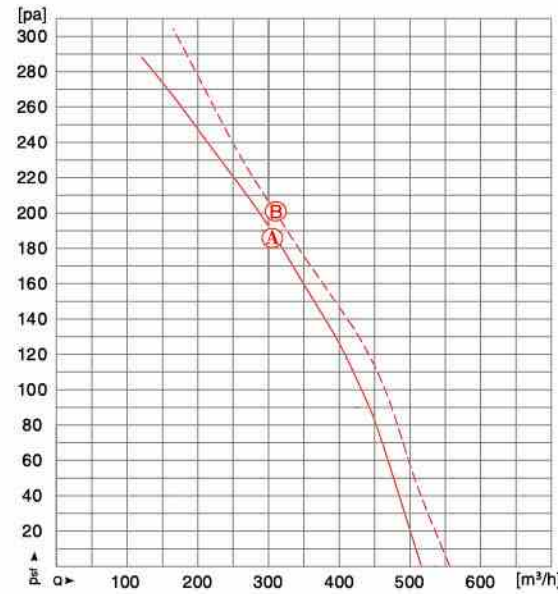
型号 Model	电压 Voltage	频率 Frequency	电容器 Capacitor	曲线 Curve	输入功率 Power	转速 RPM	电流 Current	环境温度 Temp.	噪声 Noise	净重 N.W.	备注 Note
	V	Hz	µF/450V	NO.	W	r/min	A	℃	dB/(A)	kg	
YDWF67L15P2-B175X62	1~230	50	2	A	54	2597	0.24	-25~+80	63	1.2	
				B	67	2933	0.30	-25~+80	68		

MaEr Fan Motor

Professional · Honest · Human Oriented



Ø 190 AC BACKWARD CENTRIFUGAL FAN AC外转子后倾离心风机



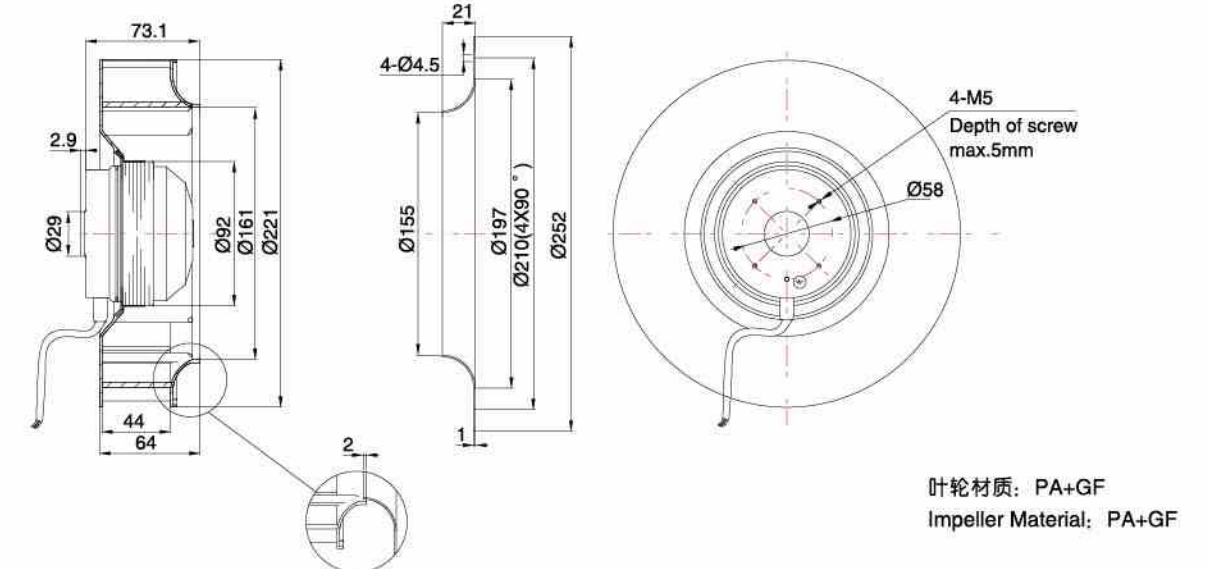
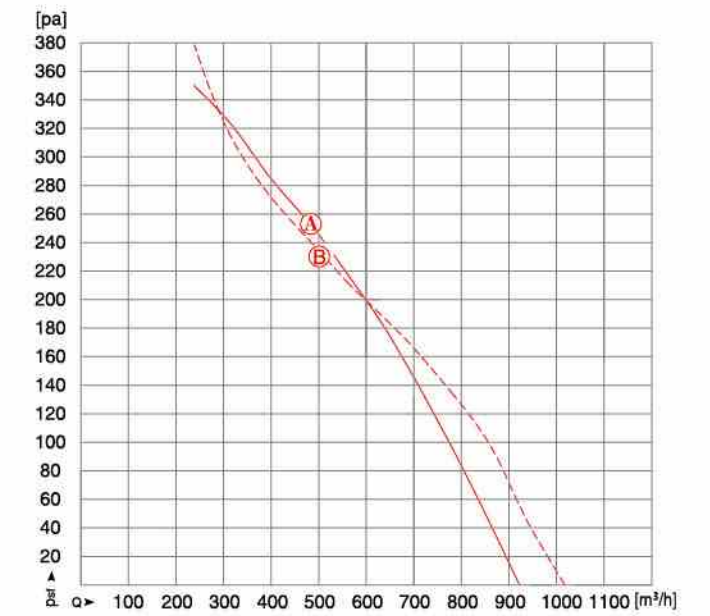
型号 Model	电压 Voltage	频率 Frequency	电容器 Capacitor	曲线 Curve	输入功率 Power	转速 RPM	电流 Current	环境温度 Temp.	噪声 Noise	净重 N. W.	备注 Note
	V	Hz	μF/450V	NO.	W	r/min	A	℃	dB(A)	kg	
YDWF67L15P2-B190X62	1~230	50	2	(A)	62	2419	0.27	-25~+85	62	1.2	
		60		(B)	80	2480	0.35	-25~+85	64		

MaEr Fan Motor

Professional · Honest · Human Oriented



Ø 220 AC BACKWARD CENTRIFUGAL FAN AC外转子后倾离心风机



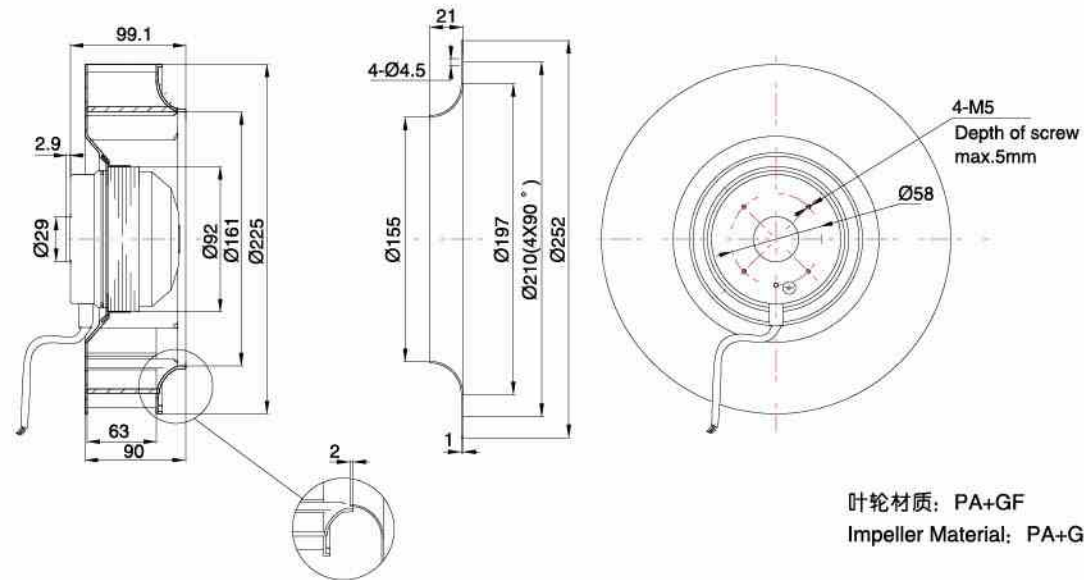
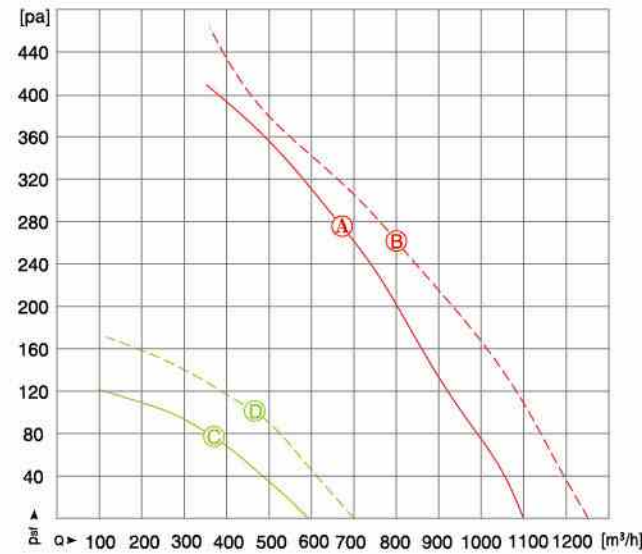
型号 Model	电压 Voltage	频率 Frequency	电容器 Capacitor	曲线 Curve	输入功率 Power	转速 RPM	电流 Current	环境温度 Temp.	噪声 Noise	净重 N. W.	备注 Note
	V	Hz	μF/450V	NO.	W	r/min	A	℃	dB(A)	kg	
YDWF67L25P2-B220X64	1~230	50	3	(A)	118	2530	0.51	-25~+85	72	1.5	
		60		(B)	159	2539	0.69	-25~+50	75		

MaEr Fan Motor

Professional · Honest · Human Oriented



Ø 225 AC BACKWARD CENTRIFUGAL FAN AC外转子后倾离心风机



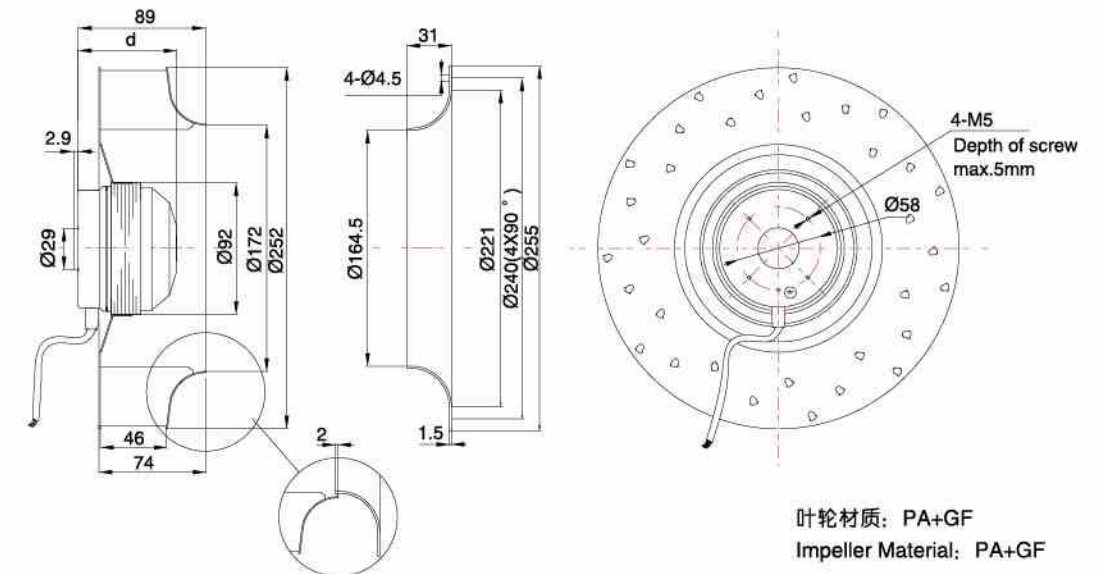
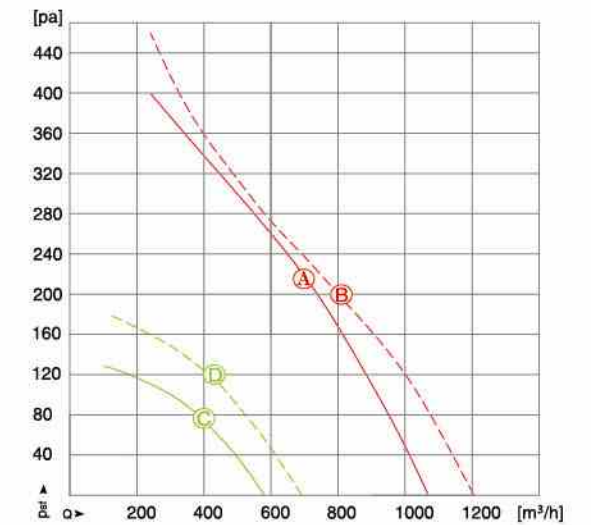
型号 Model	电压 Voltage	频率 Frequency	电容器 Capacitor	曲线 Curve	输入功率 Power	转速 RPM	电流 Current	环境温度 Temp.	噪声 Noise	净重 N. W.	备注 Note
	V	Hz	µF/450V	NO.	W	r/min	A	℃	dB/(A)	kg	
YDWF67L35P2-B225X90	1~230	50	4	A	160	2647	0.70	-25~+80	69	2.1	
		60		B	229	2794	1.00	-25~+55	71		
YDWF68L25P4-B225X90	1~230	50	2	C	52	1408	0.24	-25~+70	59	1.8	
		60		D	58	1660	0.26	-25~+70	61		

MaEr Fan Motor

Professional · Honest · Human Oriented



Ø 250 AC BACKWARD CENTRIFUGAL FAN AC外转子后倾离心风机



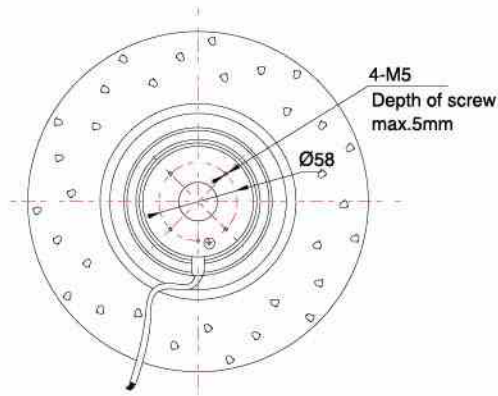
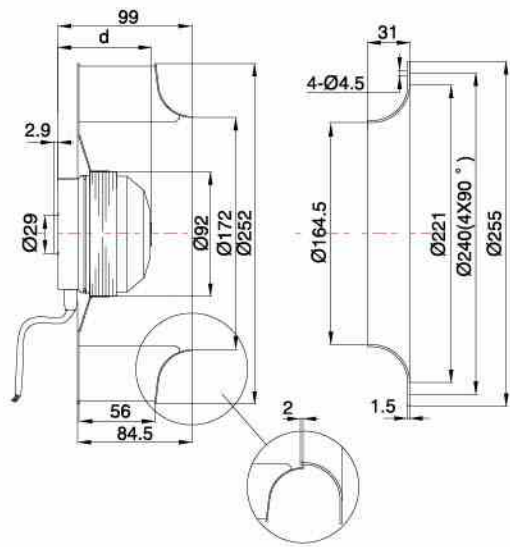
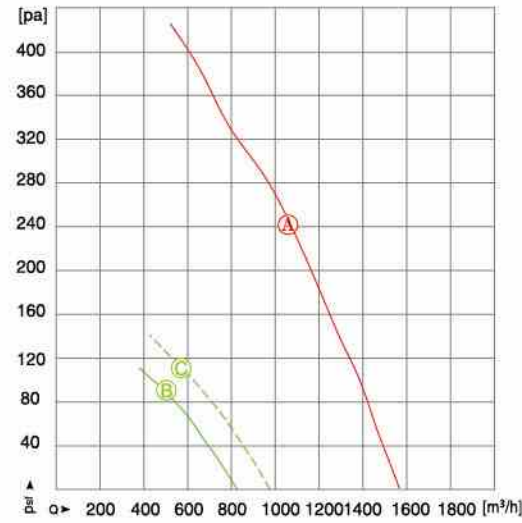
型号 Model	电压 Voltage	频率 Frequency	电容器 Capacitor	曲线 Curve	输入功率 Power	转速 RPM	电流 Current	环境温度 Temp.	噪声 Noise	净重 N. W.	备注 Note
	V	Hz	µF/450V	NO.	W	r/min	A	℃	dB/(A)	kg	
YDWF67L35P2-B250X75	1~230	50	4	A	156	2467	0.70	-25~+80	71	3.0	
		60		B	204	2563	0.89	-25~+55	72		
YDWF68L25P4-B250X75	1~230	50	2	C	53.7	1400	0.24	-25~+70	60	2.1	
		60		D	60.5	1640	0.27	-25~+70	62		

MaEr Fan Motor

Professional · Honest · Human Oriented



Ø 250 AC BACKWARD CENTRIFUGAL FAN AC外转子后倾离心风机



叶轮材质: PA+GF或镀锌板
Impeller Material: PA+GF or Steel

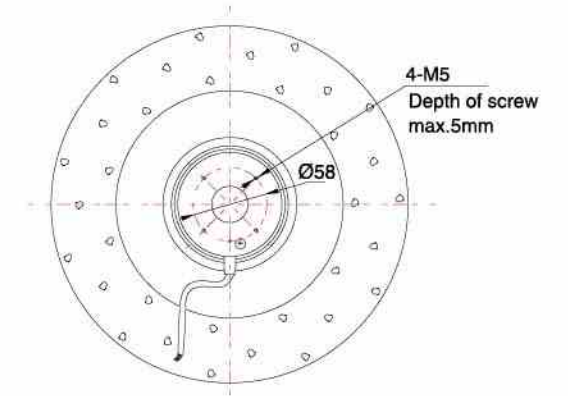
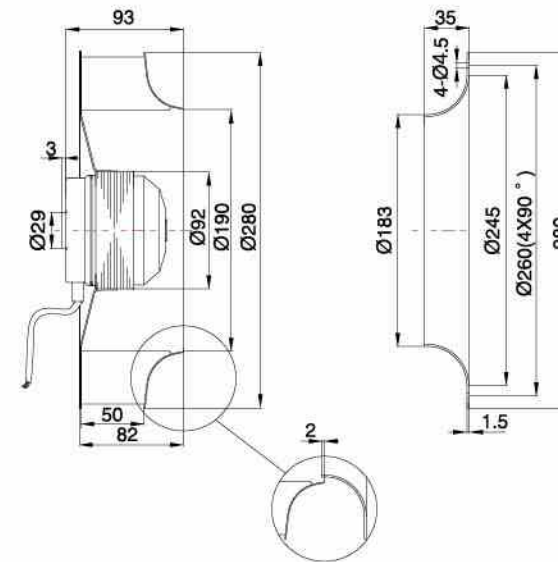
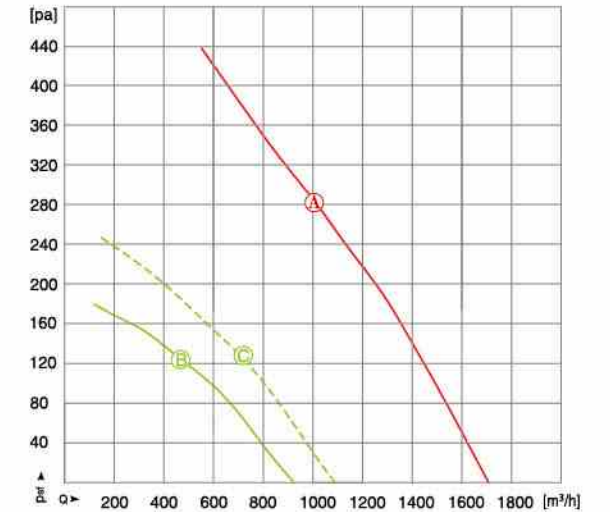
型号 Model	电压 Voltage	频率 Frequency	电容器 Capacitor	曲线 Curve	输入功率 Power	转速 RPM	电流 Current	环境温度 Temp.	噪声 Noise	净重 N. W.	备注 Note
	V	Hz	µF/450V	NO.	W	r/min	A	℃	dB/(A)	kg	
YDWF67L42P2-B250X85	1~230	50	6	A	214	2410	0.93	-25~+80	75	3.3	
YDWF68L25P4-B250X85	1~230	50	2	B	55	1338	0.25	-25~+70	61	2.2	
		60		C	67.5	1497	0.31	-25~+75	64		

MaEr Fan Motor

Professional · Honest · Human Oriented



Ø 280 AC BACKWARD CENTRIFUGAL FAN AC外转子后倾离心风机



叶轮材质: 镀锌板
Impeller Material: Steel

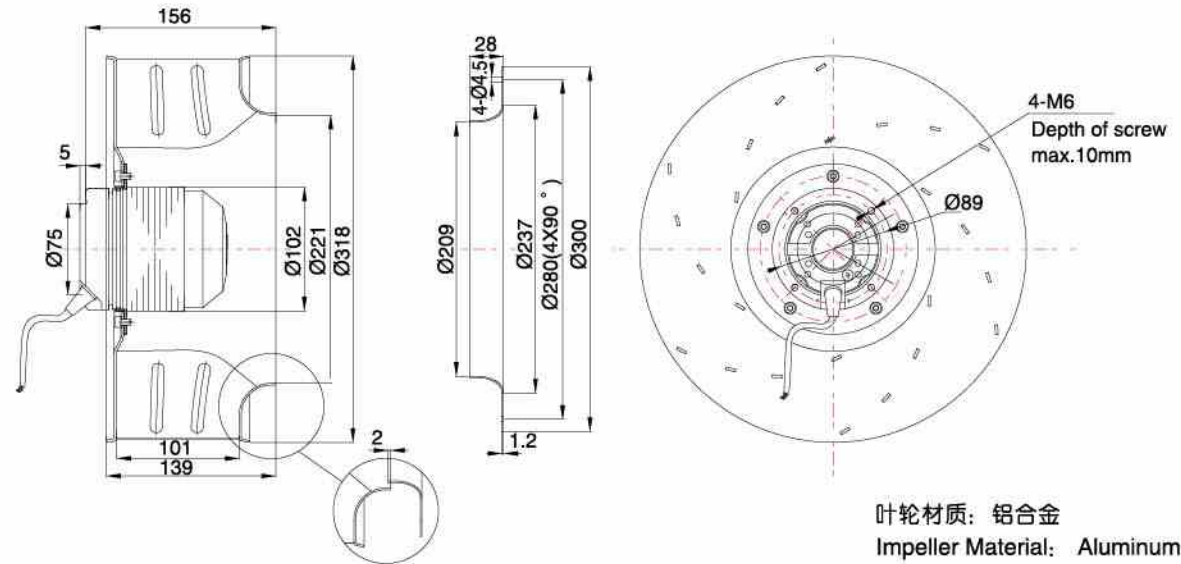
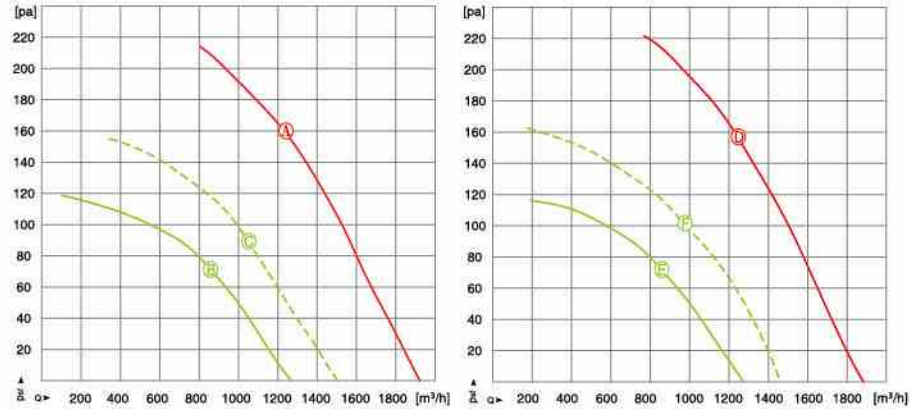
型号 Model	电压 Voltage	频率 Frequency	电容器 Capacitor	曲线 Curve	输入功率 Power	转速 RPM	电流 Current	环境温度 Temp.	噪声 Noise	净重 N. W.	备注 Note
	V	Hz	µF/450V	NO.	W	r/min	A	℃	dB/(A)	kg	
YDWF67L42P2-B280X82	1~230	50	8	A	283	2370	1.22	-25~+50	76	3.3	
YDWF68L35P4-B280X82	1~230	50	3	B	75	1387	0.35	-25~+75	60	2.8	
		60		C	96	1600	0.45	-25~+75	65		

MaEr Fan Motor

Professional · Honest · Human Oriented



Ø 315 AC BACKWARD CENTRIFUGAL FAN AC外转子后倾离心风机



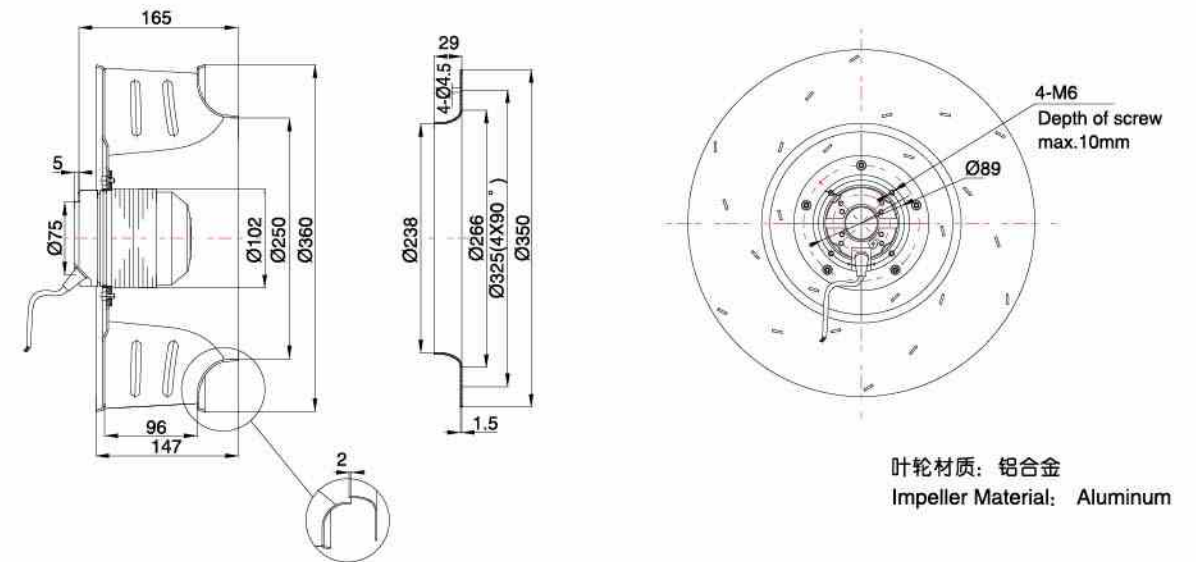
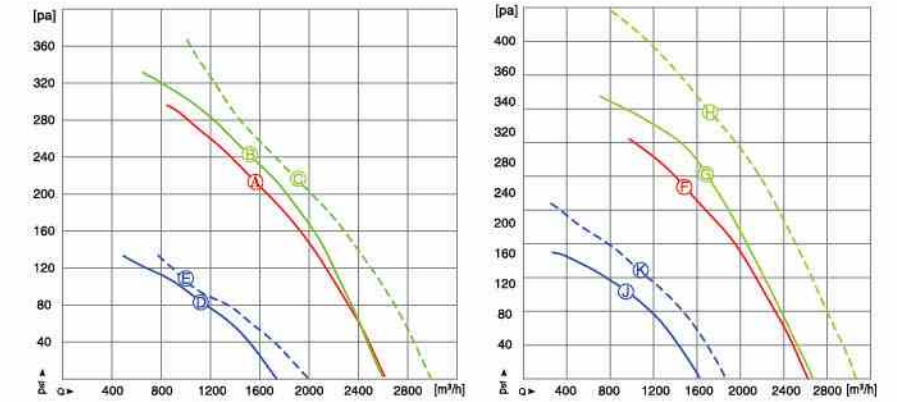
型号 Model	电压 Voltage	频率 Frequency	电容器 Capacitor	曲线 Curve	输入功率 Power	转速 RPM	电流 Current	环境温度 Temp.	噪声 Noise	净重 N.W.	备注 Note
	V	Hz	μF/450V	NO.	W	r/min	A	℃	dB/(A)	kg	
YDWF74L34P4-315X139	1~230	50	4	A	158	1362	0.70	-25~+80	59	3.4	
YDWF74L34P6-315X139	1~230	50	4	B	78	928	0.35	-25~+85	50	3.4	
		60		C	98	1076	0.46	-25~+85	53	3.4	
YSWF74L34P4-315X139	3~400	50	—	D	156	1359	0.35	-25~+80	85	3.4	
YSWF74L34P6-315X139	3~400	50	—	E	80	937	0.25	-25~+85	50	3.4	
		60		F	92	1078	0.22	-25~+85	53	3.4	

MaEr Fan Motor

Professional · Honest · Human Oriented



Ø 355 AC BACKWARD CENTRIFUGAL FAN AC外转子后倾离心风机



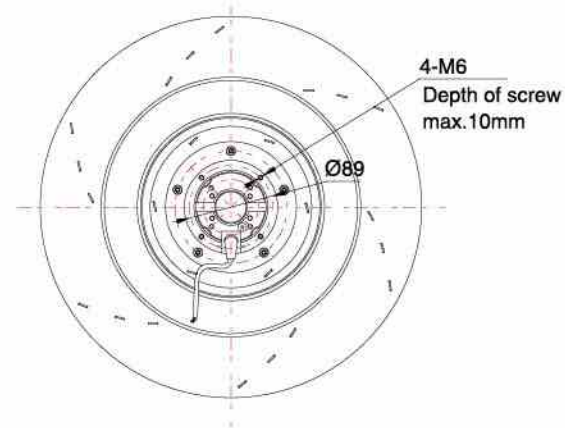
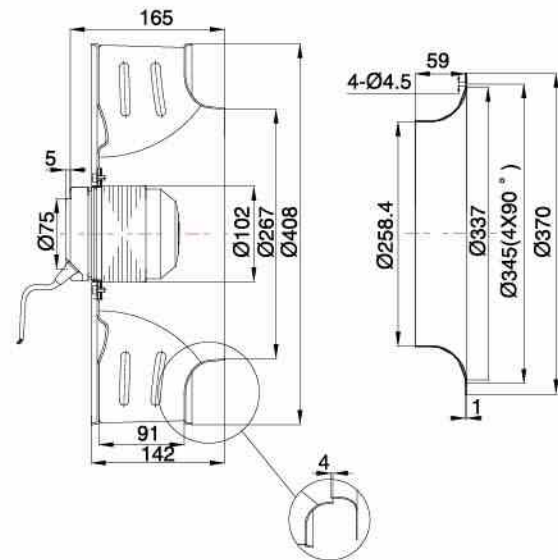
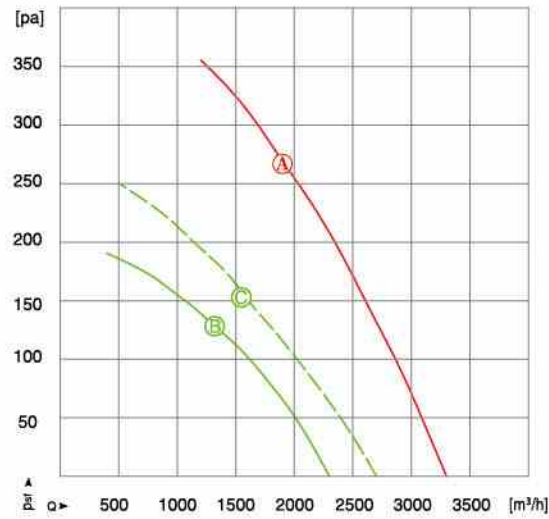
型号 Model	电压 Voltage	频率 Frequency	电容器 Capacitor	曲线 Curve	输入功率 Power	转速 RPM	电流 Current	环境温度 Temp.	噪声 Noise	净重 N.W.	备注 Note
	V	Hz	μF/450V	NO.	W	r/min	A	℃	dB/(A)	kg	
YDWF74L47P4-B355X147	1~230	50	6	A	243	1313	1.07	-25~+50	65	4.7	
YDWF74L60P4-B355X147	1~230	50	8	B	260	1360	1.13	-25~+80	66	5.2	
		60		C	384	1414	1.67	-25~+50	69	5.2	
YDWF74L34P6-B355X147	1~230	50	4	D	93	858	0.43	-25~+80	53	4.7	
		60		E	119	894	0.55	-25~+60	56	4.7	
YSWF74L47P4-B355X147	3~400	50	—	F	240	1322	0.50	-25~+65	65	4.7	
YSWF74L60P4-B355X147	3~400	50	—	G	252	1367	0.55	-25~+85	66	5.2	
		60		H	385	1536	0.67	-25~+60	69	5.2	
YSWF74L34P6-B355X147	3~400	50	—	J	106	912	0.27	-25~+85	54	4.7	
		60		K	129	1017	0.26	-25~+70	57	4.7	

MaEr Fan Motor

Professional · Honest · Human Oriented



Ø 400 AC BACKWARD CENTRIFUGAL FAN AC外转子后倾离心风机



叶轮材质: 铝合金
Impeller Material: Aluminum

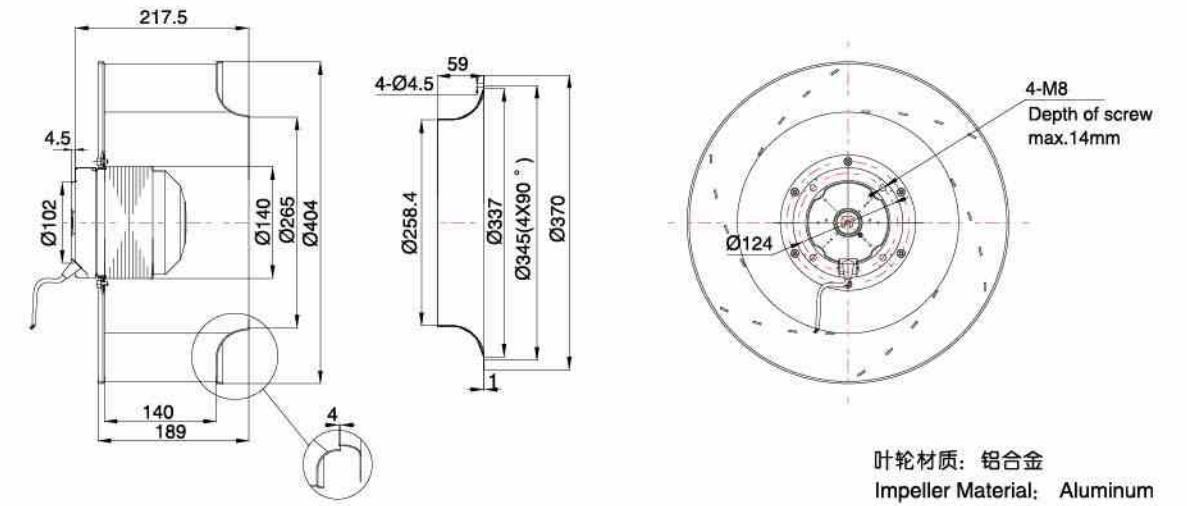
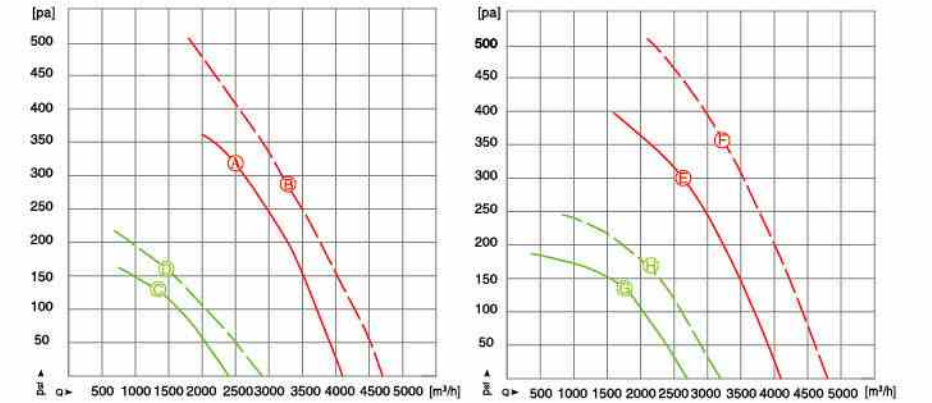
型号 Model	电压 Voltage	频率 Frequency	电容器 Capacitor	曲线 Curve	输入功率 Power	转速 RPM	电流 Current	环境温度 Temp.	噪声 Noise	净重 N. W.	备注 Note
	V	Hz	µF/450V	NO.	W	r/min	A	℃	dB/(A)	kg	
YSWF74L60P4-B400X142	3~400	50	—	A	350	1292	0.67	-25~+60	68	6.1	
YDWF74L60P6-B400X142	1~230	50	6	B	153	912	0.70	-25~+70	63	6.1	
		60		C	211	1026	0.97	-25~+70	65		

MaEr Fan Motor

Professional · Honest · Human Oriented



Ø 400 AC BACKWARD CENTRIFUGAL FAN AC外转子后倾离心风机



叶轮材质: 铝合金
Impeller Material: Aluminum

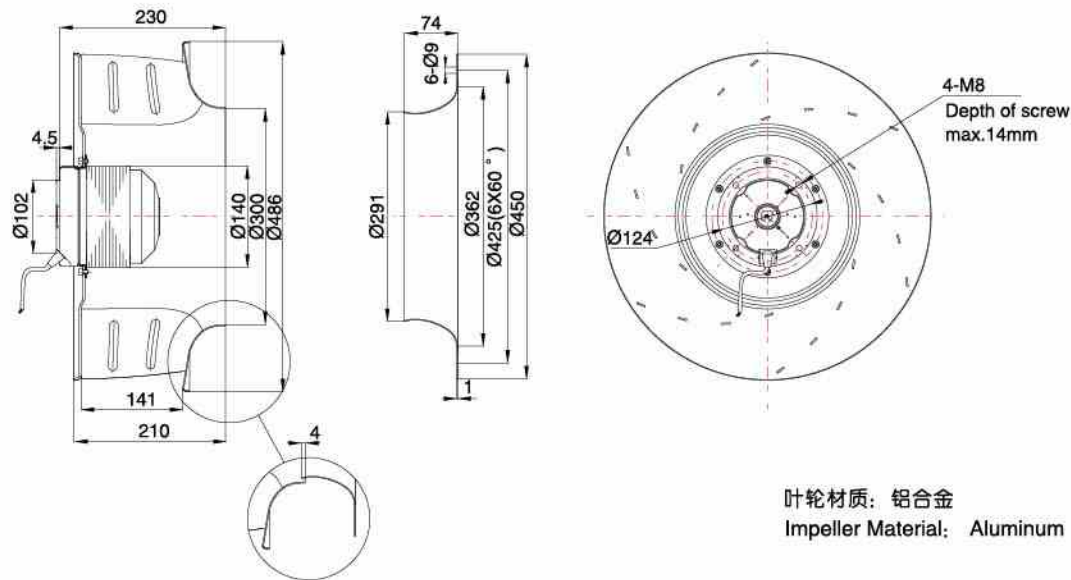
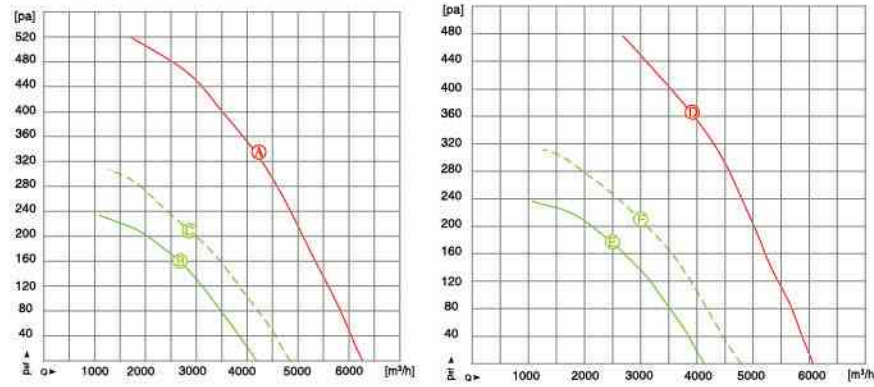
型号 Model	电压 Voltage	频率 Frequency	电容器 Capacitor	曲线 Curve	输入功率 Power	转速 RPM	电流 Current	环境温度 Temp.	噪声 Noise	净重 N. W.	备注 Note
	V	Hz	µF/450V	NO.	W	r/min	A	℃	dB/(A)	kg	
YDWF102L45P4-B400X188	1~230	50	16	A	494	1383	2.25	-25~+80	68	8.2	
		60		B	718	1568	3.28	-25~+65	71		
YDWF102L35P6-B400X188	1~230	50	8	C	164	923	0.75	-25~+85	56	7.2	
		60		D	226	1043	1.08	-25~+85	58		
YSWF102L45P4-B400X188	3~400	50	—	E	485	1399	1.10	-25~+85	68	8.2	
		60		F	743	1611	1.26	-25~+70	71		
YSWF102L35P6-B400X188	3~400	50	—	G	177	939	0.52	-25~+90	56	7.2	
		60		H	242	1077	0.51	-25~+90	59		

MaEr Fan Motor

Professional · Honest · Human Oriented



Ø 450 AC BACKWARD CENTRIFUGAL FAN AC外转子后倾离心风机



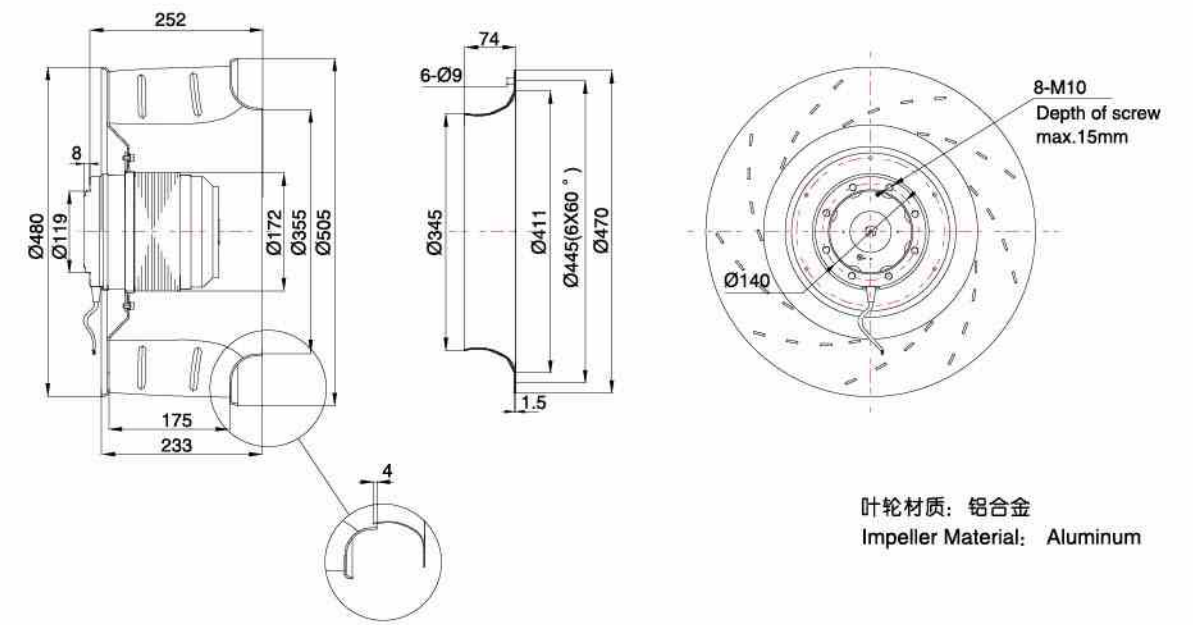
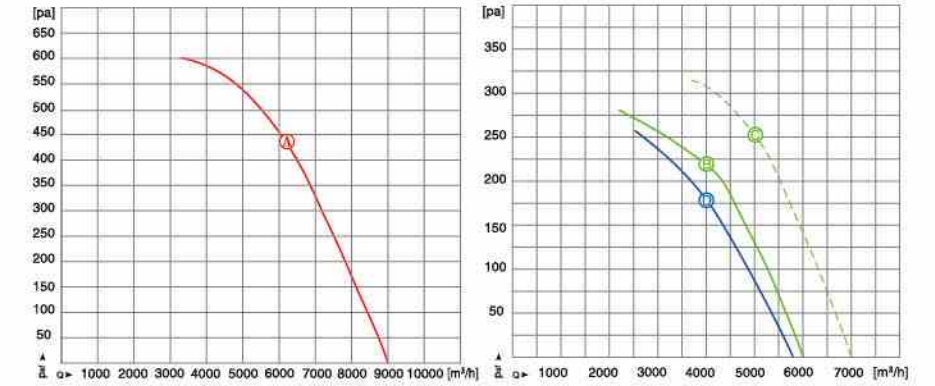
型号 Model	电压 Voltage	频率 Frequency	电容器 Capacitor	曲线 Curve	输入功率 Power	转速 RPM	电流 Current	环境温度 Temp.	噪声 Noise	净重 N. W.	备注 Note
	V	Hz	µF/450V	NO.	W	r/min	A	℃	dB(A)	kg	
YDWF102L70P4-B450X210	1~230	50	20	A	878	1374	3.82	-25~+70	75	12	
YDWF102L50P6-B450X210	1~230	50	12	B	307	925	1.35	-25~+80	65	10	
		60		C	443	1035	1.98	-25~+75	68		
YSWF102L70P4-B450X210	3~400	50	—	D	883	1381	1.72	-25~+75	76	12	
		50		E	309	928	0.73	-25~+85	66		
YSWF102L50P6-B450X210	3~400	60	—	F	434	1058	0.79	-25~+85	68	10	

MaEr Fan Motor

Professional · Honest · Human Oriented



Ø 500 AC BACKWARD CENTRIFUGAL FAN AC外转子后倾离心风机



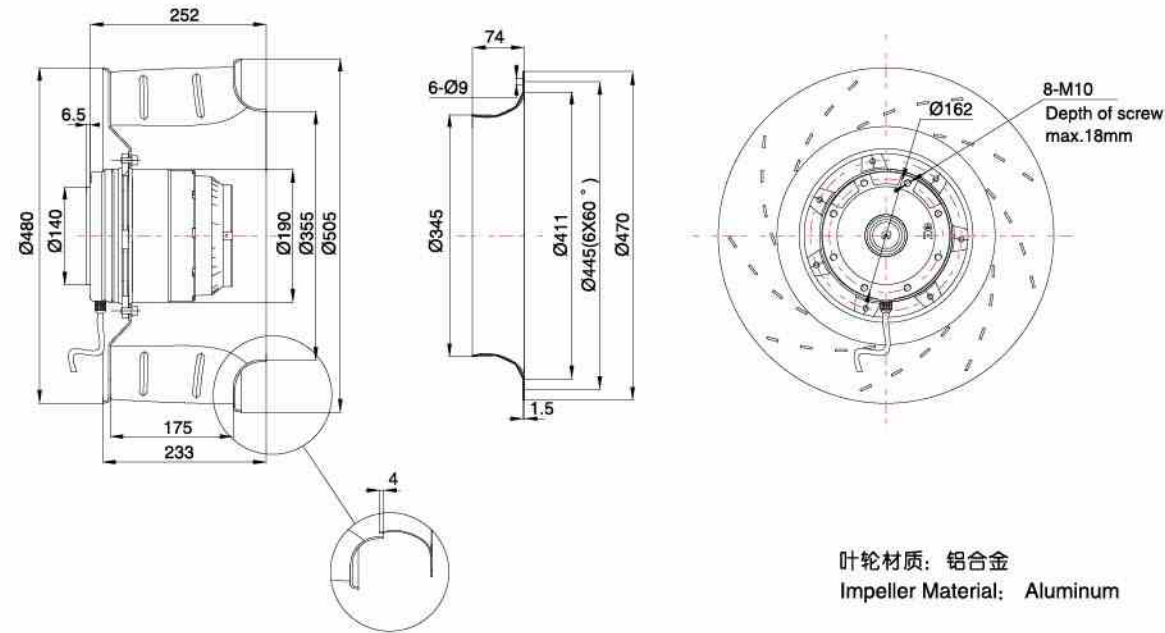
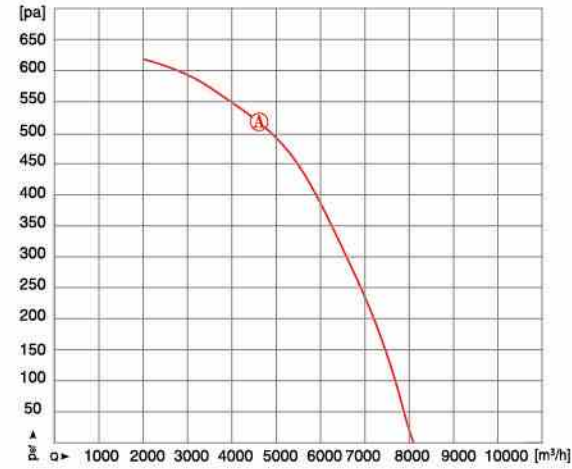
型号 Model	电压 Voltage	频率 Frequency	电容器 Capacitor	曲线 Curve	输入功率 Power	转速 RPM	电流 Current	环境温度 Temp.	噪声 Noise	净重 N. W.	备注 Note
	V	Hz	µF/450V	NO.	W	r/min	A	℃	dB(A)	kg	
YSWF127L65P4-B500X230	3~400	50	—	A	1670	1390	3.30	-25~+55	81	21	
YSWF127L50P6-B500X230	3~400	50	—	B	585	946	1.60	-25~+75	69	17	
		60		C	840	1090	1.68	-25~+75	72		
YDWF127L50P6-B500X230	1~230	50	20	D	512	909	2.30	-25~+70	68	17	

MaEr Fan Motor

Professional · Honest · Human Oriented



Ø 500 AC BACKWARD CENTRIFUGAL FAN AC外转子后倾离心风机



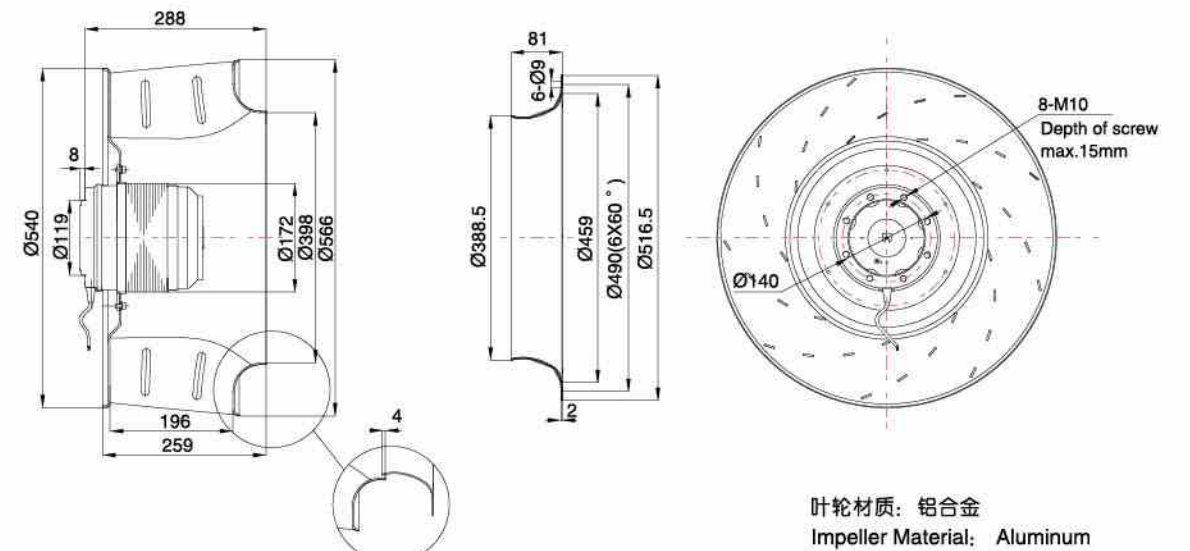
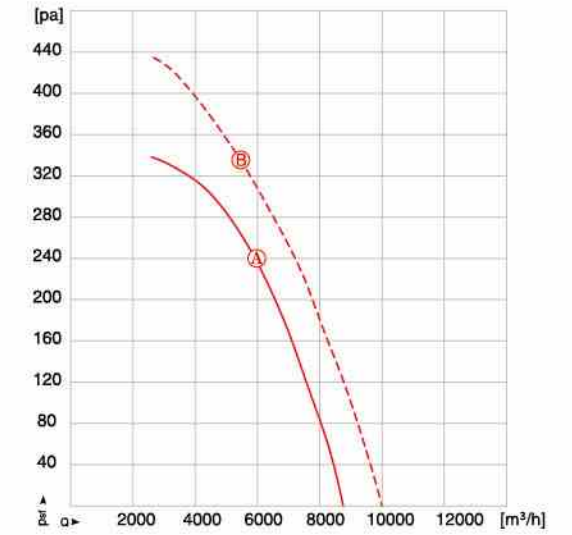
型号 Model	电压 Voltage	频率 Frequency	电容器 Capacitor	曲线 Curve	输入功率 Power	转速 RPM	电流 Current	环境温度 Temp.	噪声 Noise	净重 N. W.	备注 Note
	V	Hz	μF/450V	NO.	W	r/min	A	℃	dB(A)	kg	
YSWF138L76P4-B500X230	3~400	50	—	A	1553	1400	2.6	-25~+80	81	26	

MaEr Fan Motor

Professional · Honest · Human Oriented



Ø 560 AC BACKWARD CENTRIFUGAL FAN AC外转子后倾离心风机



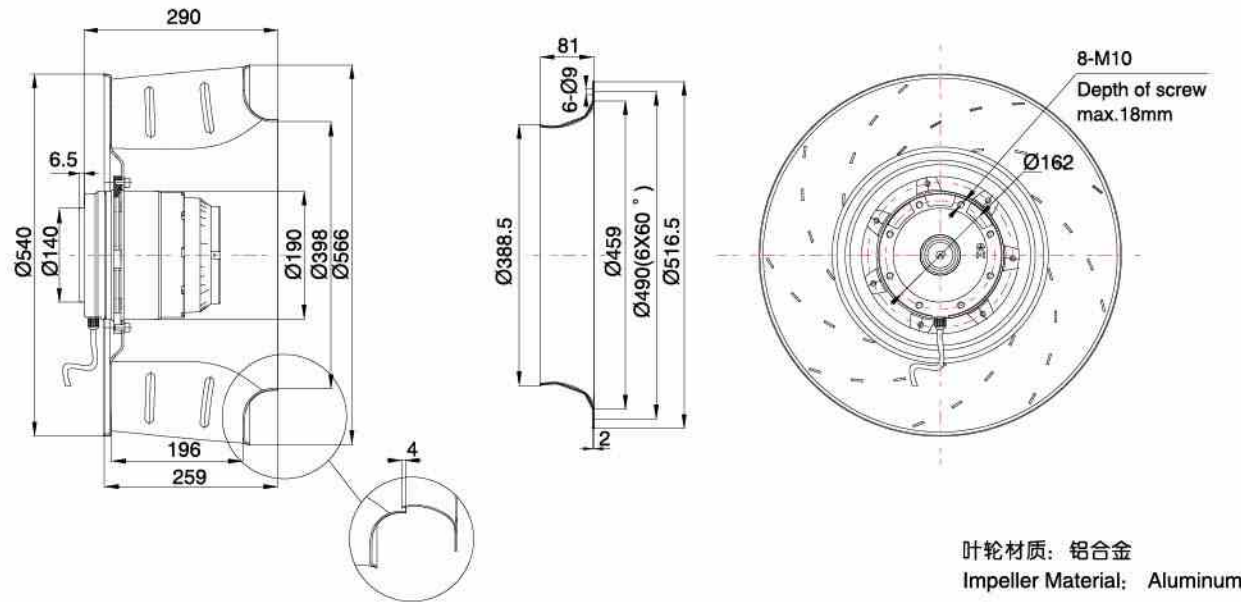
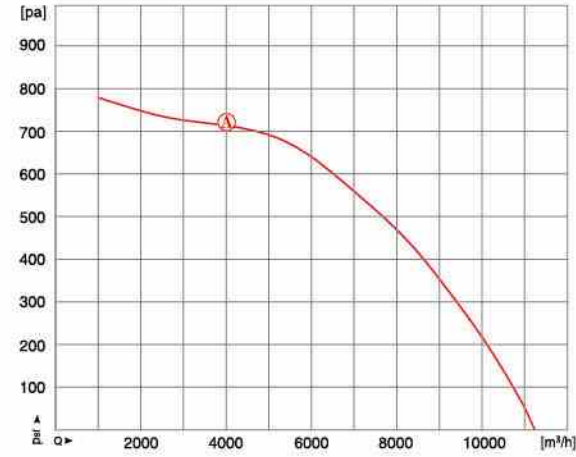
型号 Model	电压 Voltage	频率 Frequency	电容器 Capacitor	曲线 Curve	输入功率 Power	转速 RPM	电流 Current	环境温度 Temp.	噪声 Noise	净重 N. W.	备注 Note
	V	Hz	μF/450V	NO.	W	r/min	A	℃	dB(A)	kg	
YSWF127L50P6-B560X260	3~400	50	—	A	913	901	1.93	-25~+60	72	18	
				B	1345	980	2.38	-25~+40	74		

MaEr Fan Motor

Professional · Honest · Human Oriented



Ø 560 AC BACKWARD CENTRIFUGAL FAN AC外转子后倾离心风机



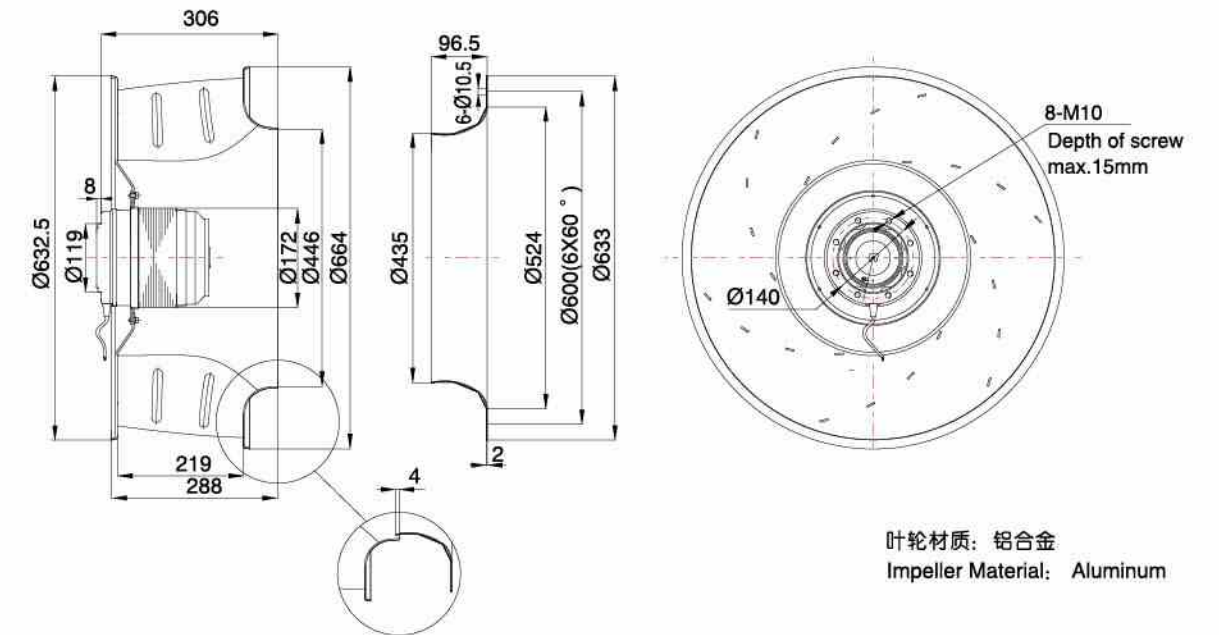
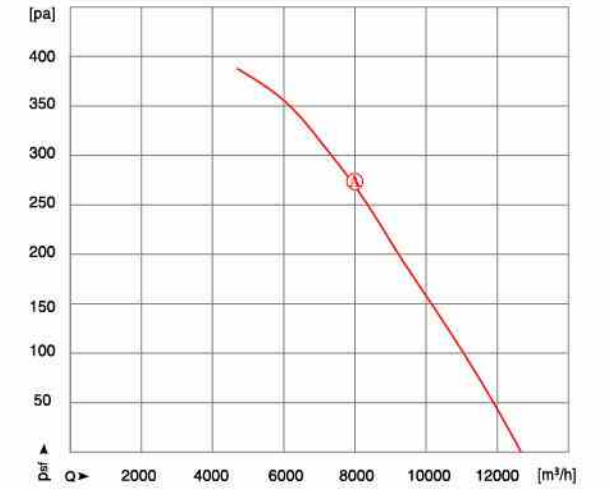
型号 Model	电压 Voltage	频率 Frequency	电容器 Capacitor	曲线 Curve	输入功率 Power	转速 RPM	电流 Current	环境温度 Temp.	噪声 Noise	净重 N. W.	备注 Note
	V	Hz	μF/450V	NO.	W	r/min	A	℃	dB/(A)	kg	
YSWF138L100P4-B560X260	3~400	50	—	A	2400	1370	5	-25~+60	84	28	

MaEr Fan Motor

Professional · Honest · Human Oriented



Ø 630 AC BACKWARD CENTRIFUGAL FAN AC外转子后倾离心风机



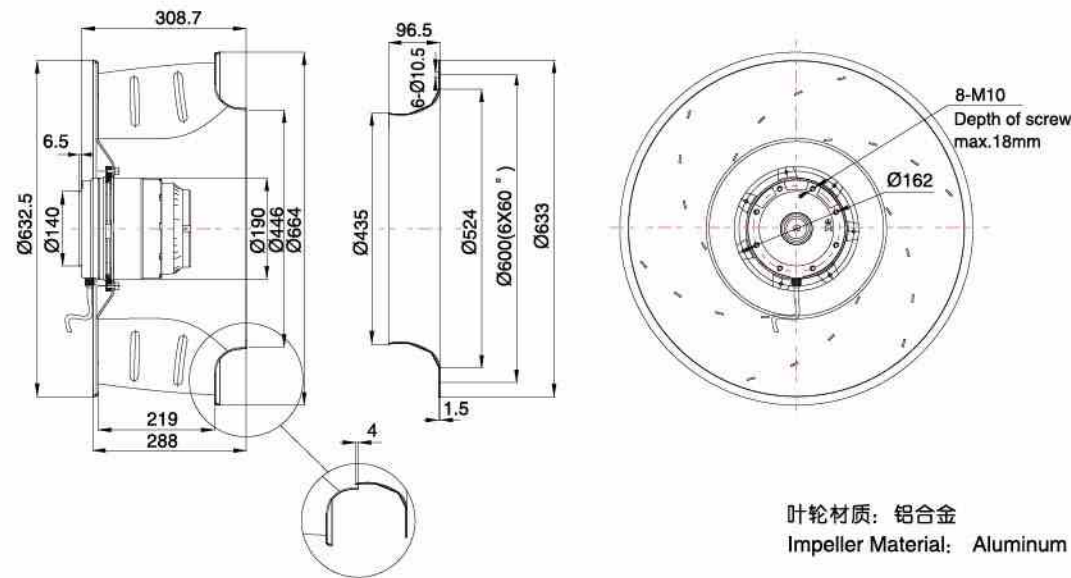
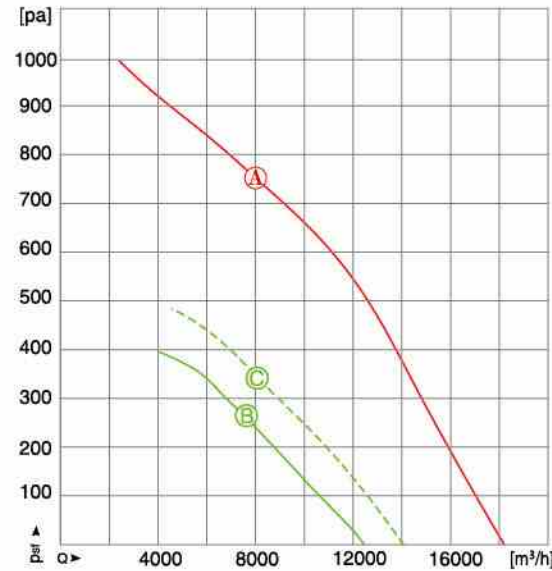
型号 Model	电压 Voltage	频率 Frequency	电容器 Capacitor	曲线 Curve	输入功率 Power	转速 RPM	电流 Current	环境温度 Temp.	噪声 Noise	净重 N. W.	备注 Note
	V	Hz	μF/450V	NO.	W	r/min	A	℃	dB/(A)	kg	
YSWF127L80P6-B630X290	3~400	50	—	A	1455	917	3.39	-25~+60	73	23	

MaEr Fan Motor

Professional · Honest · Human Oriented



Ø 630 AC BACKWARD CENTRIFUGAL FAN AC外转子后倾离心风机



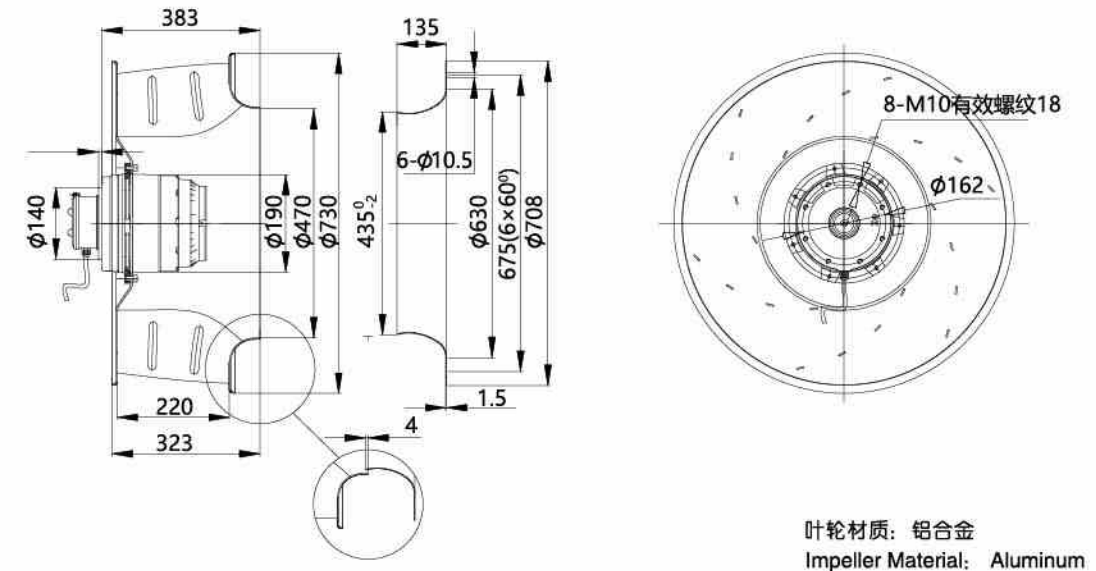
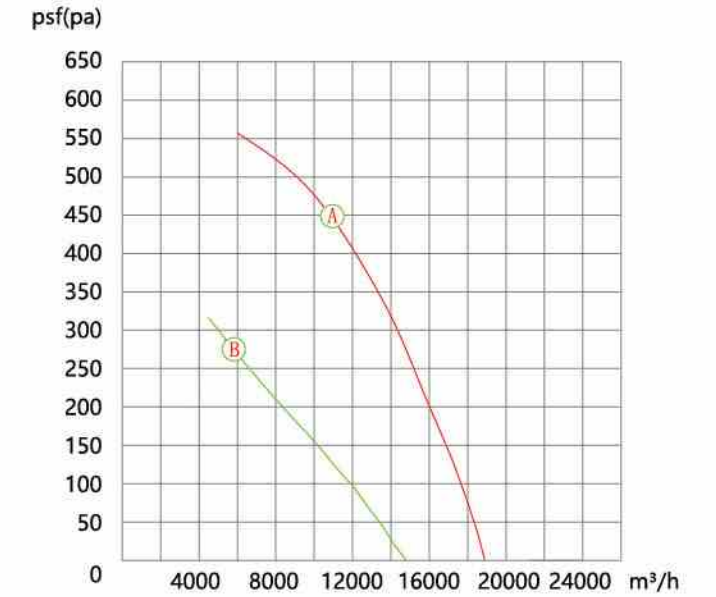
型号 Model	电压 Voltage	频率 Frequency	电容器 Capacitor	曲线 Curve	输入功率 Power	转速 RPM	电流 Current	环境温度 Temp.	噪声 Noise	净重 N.W.	备注 Note
	V	Hz	μF/450V	NO.	W	r/min	A	℃	dB/(A)	kg	
YSWF138L118P4-B630X290	3~400	50	—	A	4320	1310	7.60	-25~+60	86	30	
YSWF138L76P6-B630X290	3~400	50	—	B	1327	894	2.40	-25~+60	73	24	
		60		C	1945	979	3.32	-25~+45	75		

MaEr Fan Motor

Professional · Honest · Human Oriented



Ø 710 AC BACKWARD CENTRIFUGAL FAN AC外转子后倾离心风机



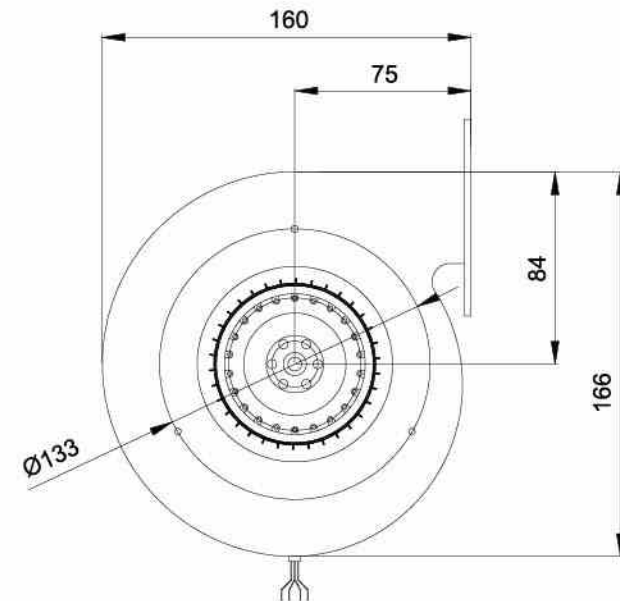
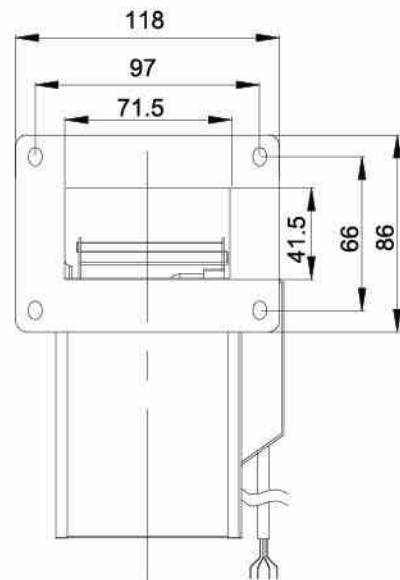
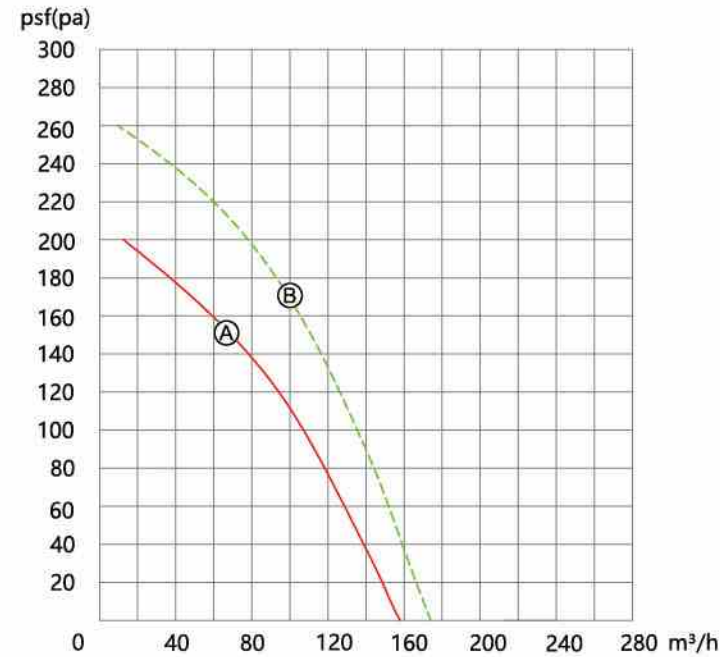
型号 Model	电压 Voltage	频率 Frequency	曲线 Curve	输入功率 Power	转速 RPM	电流 Current	环境温度 Temp.	噪声 Noise
	V	Hz	NO.	W	r/min	A	℃	dB/(A)
YSWF138L118P6-B710X327	3~380	50 Δ	A	2969	896	5.66	-25~+60	75
		50 Y	B	1652	657	2.91	-25~+60	71

MaEr Fan Motor

Professional · Honest · Human Oriented



Ø 120 AC FORWARD HOUSED CENTRIFUGAL FAN AC外转子带蜗壳前倾离心风机



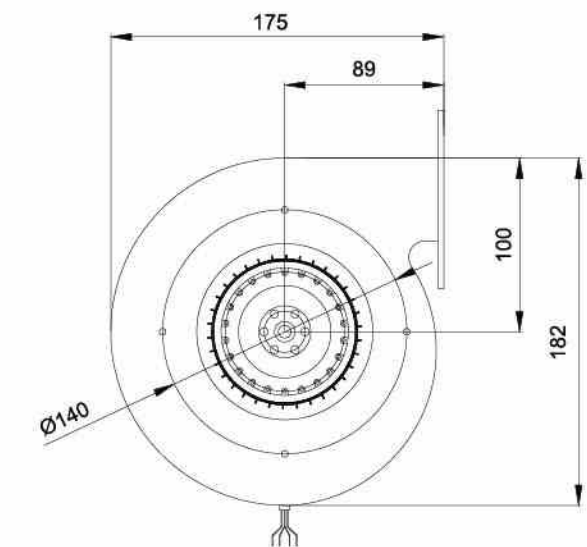
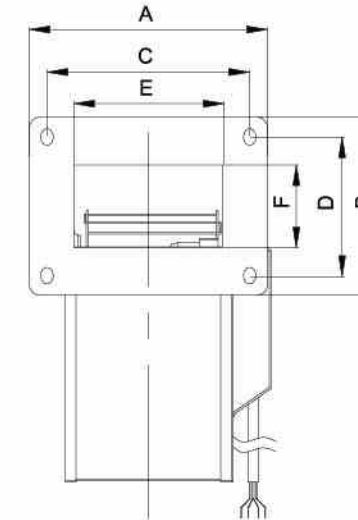
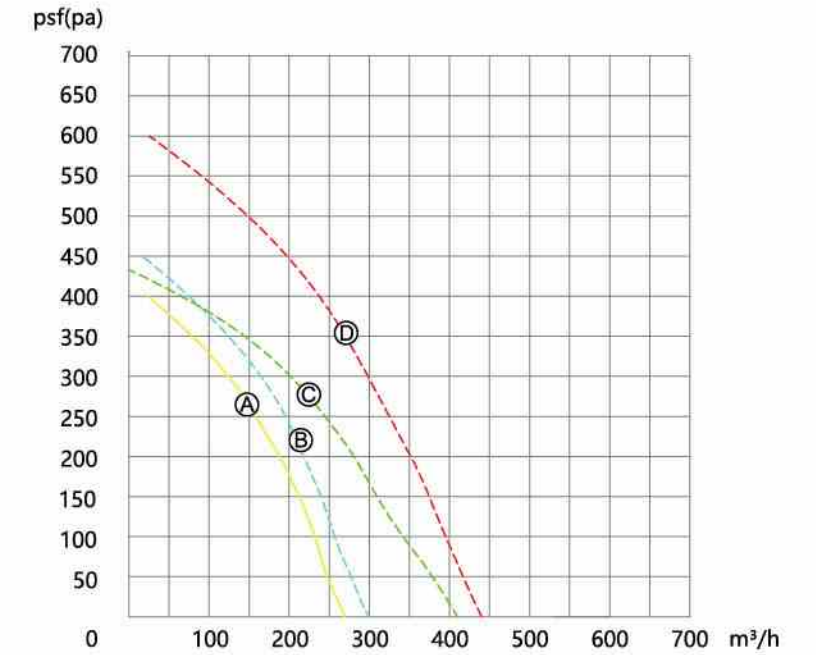
型号 Model	电压 Voltage	频率 Frequency	电容器 Capacitor	曲线编号 Curve	输入功率 Power	转速 RPM	电流 Current	静压 Psf	环境温度 Temp.	噪声 Noise	净重 N.W.
	V	Hz	µF/450V	NO.	W	r/min	A	pa	°C	dB/ (A)	kg
YDWF67L15P2-GF120X60	1~230	50	2	A	57	2563	0.25	0	-30~+60	56	2.2
		60	2	B	75	2805	0.33	0	-30~+60	58	2.2

MaEr Fan Motor

Professional · Honest · Human Oriented



Ø 133 AC FORWARD HOUSED CENTRIFUGAL FAN AC外转子带蜗壳前倾离心风机



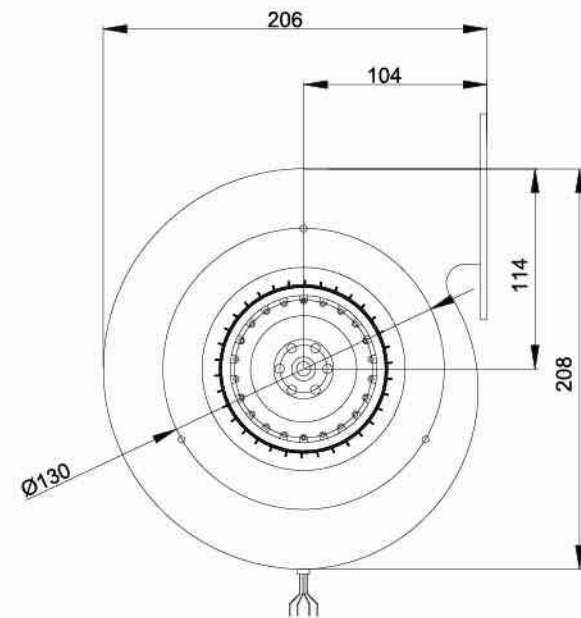
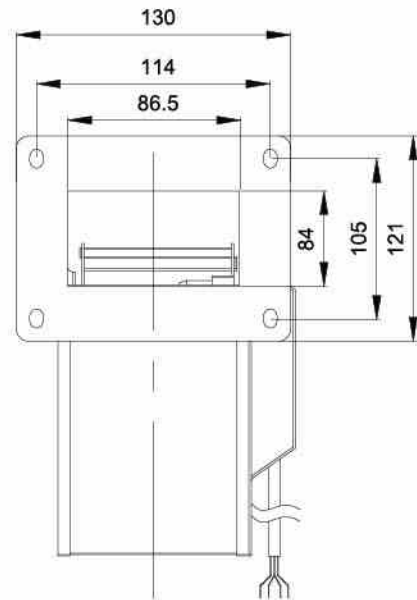
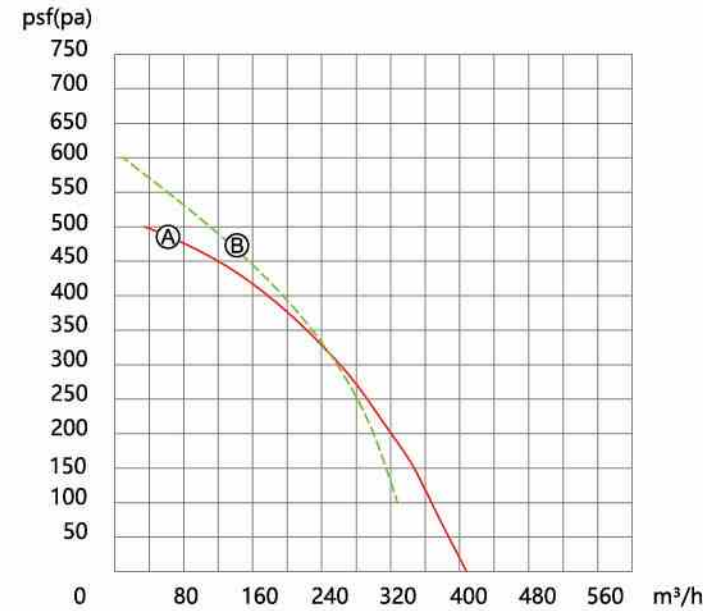
型号 Model	电压 Voltage	频率 Frequency	电容器 Capacitor	曲线编号 Curve	输入功率 Power	转速 RPM	电流 Current	静压 Psf	环境温度 Temp.	噪声 Noise	净重 N.W.
	V	Hz	µF/450V	NO.	W	r/min	A	pa	°C	dB/ (A)	kg
YDWF67L25P2-GF133X50	1~230	50	4	A	102	2653	0.45	0	-30~+60	63	2.5
		60	4	B	134	2828	0.59	0	-30~+60	65	2.5
YDWF67L35P2-GF133X73	1~230	50	4	C	148	2645	0.65	0	-30~+60	66	3.1
		60	4	D	212	2839	0.93	0	-30~+60	68	3.1

MaEr Fan Motor

Professional · Honest · Human Oriented



Ø 150 AC FORWARD HOUSED CENTRIFUGAL FAN AC外转子带蜗壳前倾离心风机



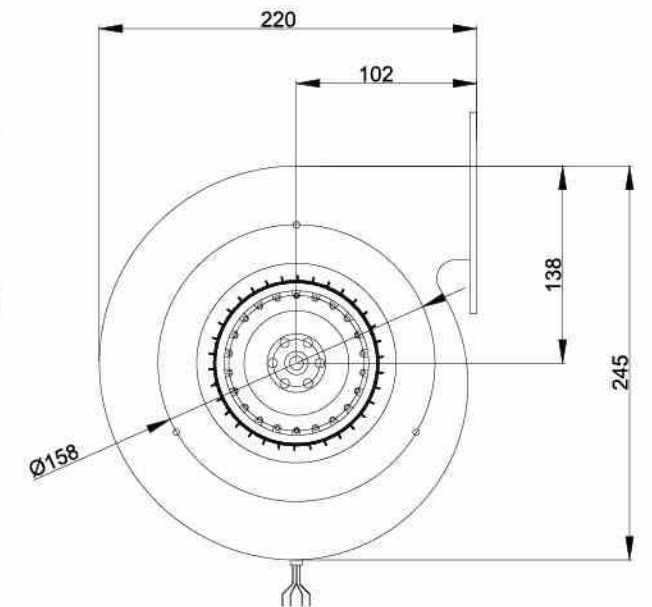
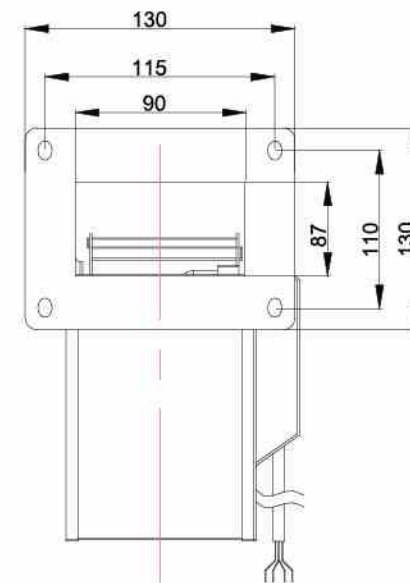
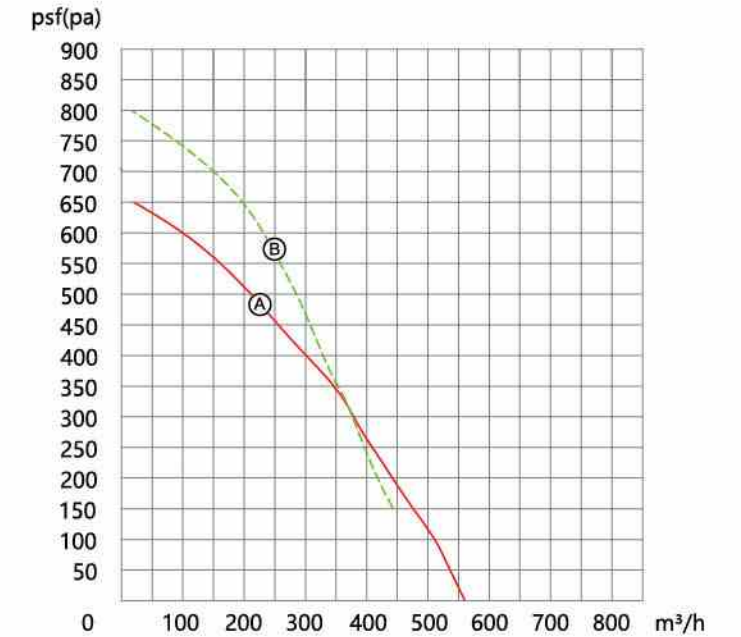
型号 Model	电压 Voltage	频率 Frequency	电容器 Capacitor	曲线编号 Curve	输入功率 Power	转速 RPM	电流 Current	静压 Psf	环境温度 Temp.	噪声 Noise	净重 N.W.
	V	Hz	µF/450V	NO.	W	r/min	A	pa	°C	dB/ (A)	kg
YDWF67L35P2-GF150X72	1~230	50	4	A	204	2377	0.89	0	-30~+60	65	4.94
	1~230	60	4	B	247	2238	1.07	100	-30~+60	68	4.94

MaEr Fan Motor

Professional · Honest · Human Oriented



Ø 133 AC FORWARD HOUSED CENTRIFUGAL FAN AC外转子带蜗壳前倾离心风机



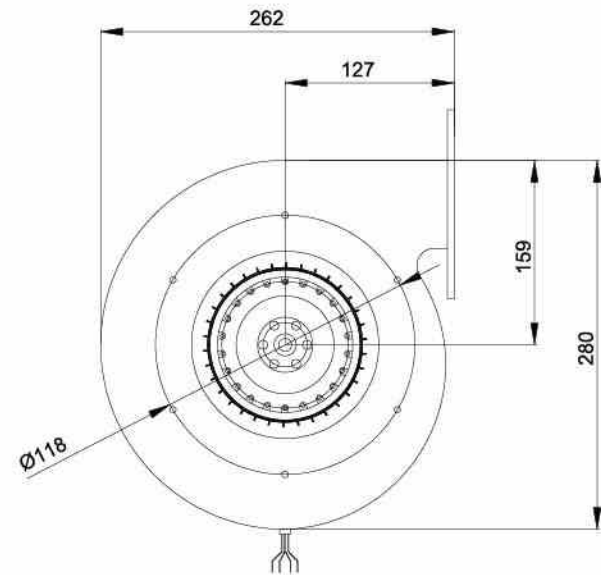
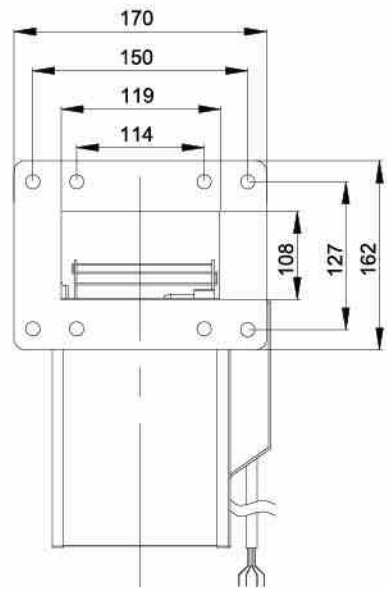
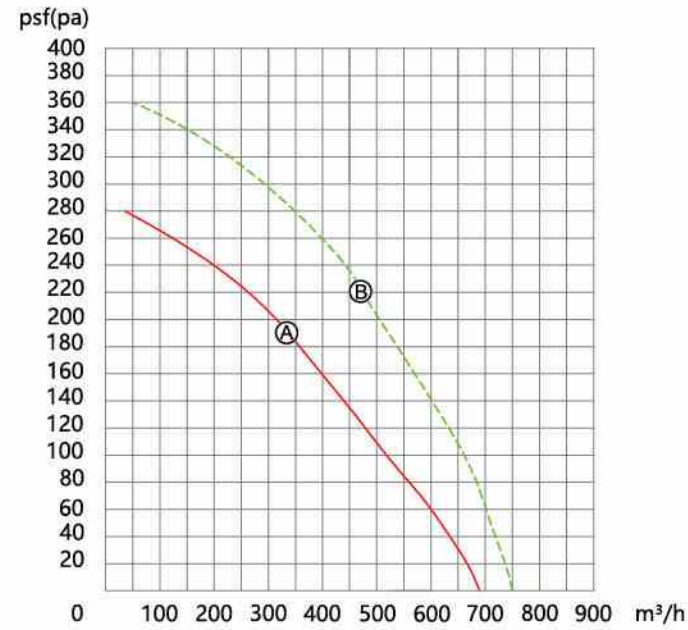
型号 Model	电压 Voltage	频率 Frequency	电容器 Capacitor	曲线编号 Curve	输入功率 Power	转速 RPM	电流 Current	静压 Psf	环境温度 Temp.	噪声 Noise	净重 N.W.
	V	Hz	µF/450V	NO.	W	r/min	A	pa	°C	dB/ (A)	kg
YDWF67L40P2-GF160X60	1~230	50	6	A	288	2210	1.25	0	-30~+60	68	3.87
	1~230	60	6	B	325	2300	1.42	150	-30~+60	69	3.87

MaEr Fan Motor

Professional · Honest · Human Oriented



Ø 180 AC FORWARD HOUSED CENTRIFUGAL FAN AC外转子带蜗壳前倾离心风机



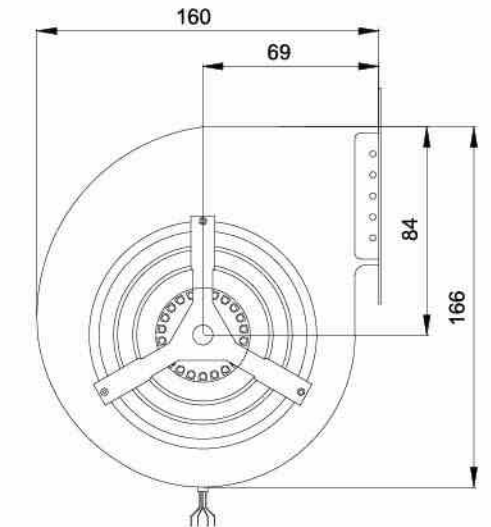
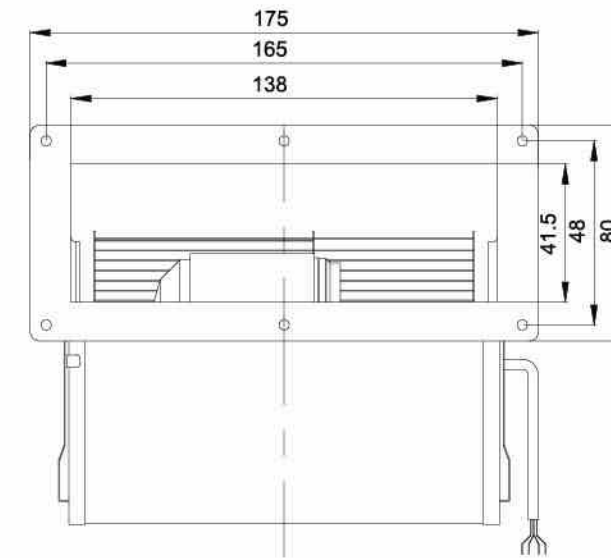
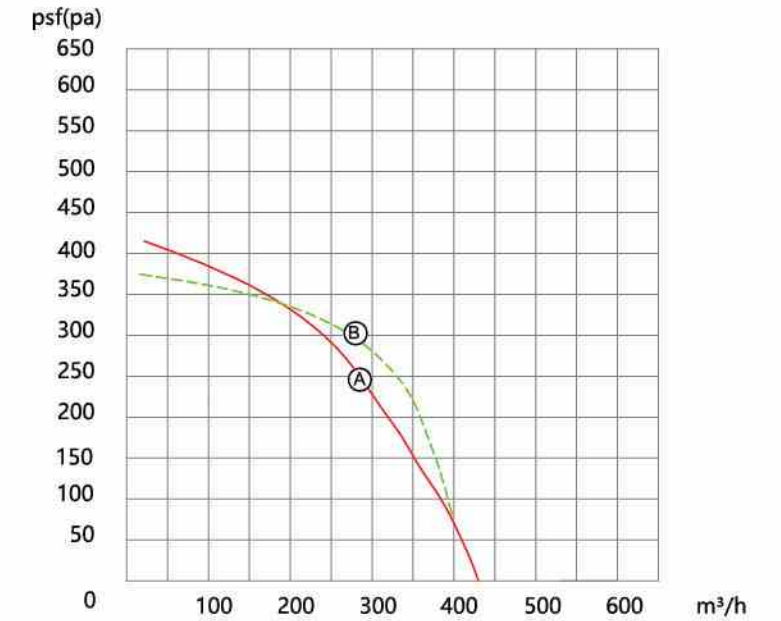
型号 Model	电压 Voltage	频率 Frequency	电容器 Capacitor	曲线编号 Curve	输入功率 Power	转速 RPM	电流 Current	静压 Psf	环境温度 Temp.	噪声 Noise	净重 N.W.
	V	Hz	µF/450V	NO.	W	r/min	A	pa	°C	dB/ (A)	kg
YDWF74L34P4-GF180X92	1~230	50	4	A	151	1447	0.69	0	-30~+60	65	4.94
	1~230	60	4	B	212	1447	0.92	0	-30~+60	68	4.94

MaEr Fan Motor

Professional · Honest · Human Oriented



Ø 133 AC FORWARD HOUSED DOUBLE INLET CENTRIFUGAL FAN AC外转子带蜗壳双进风前倾离心风机



型号 Model	电压 Voltage	频率 Frequency	电容器 Capacitor	曲线编号 Curve	输入功率 Power	转速 RPM	电流 Current	静压 Psf	环境温度 Temp.	噪声 Noise	净重 N.W.
	V	Hz	µF/450V	NO.	W	r/min	A	pa	°C	dB/ (A)	kg
YDWF67L25P2-GD120X125	1~230	50	3	A	135	2298	0.59	0	-30~+60	64	2.97
	1~230	60	3	B	155	2500	0.68	80	-30~+60	66	2.97

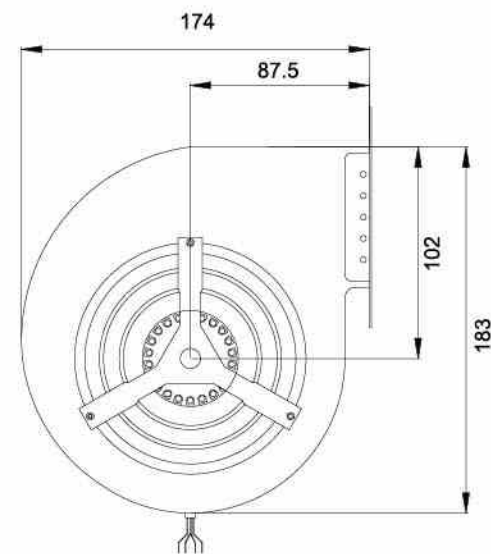
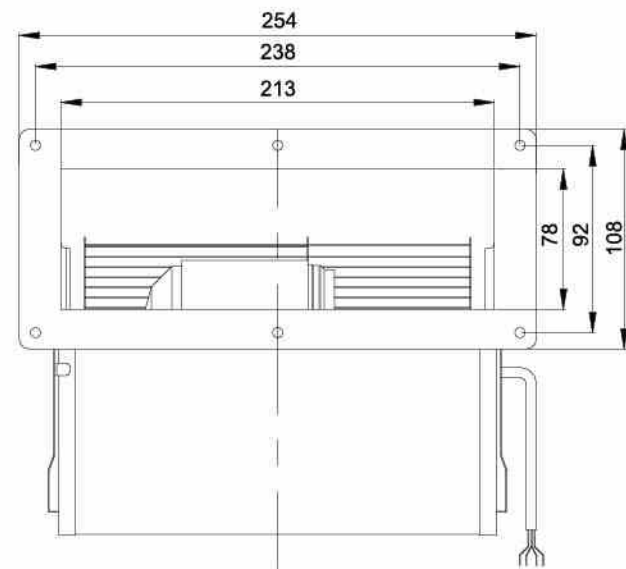
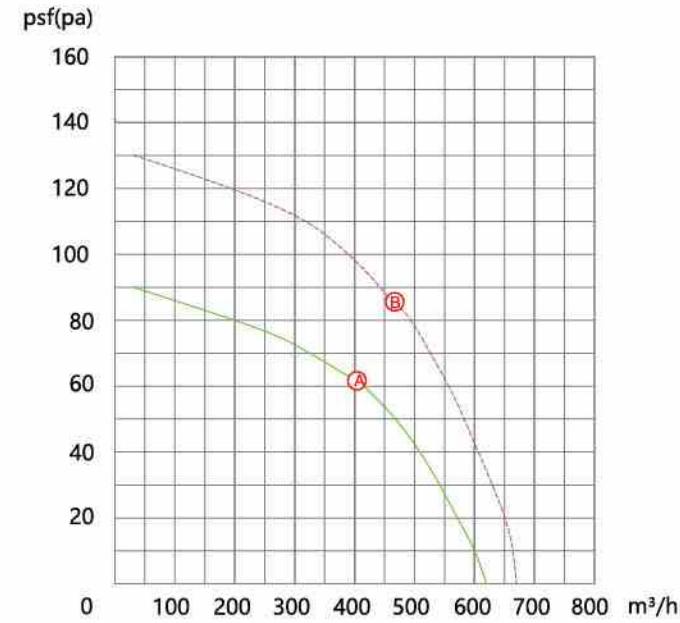
MaEr Fan Motor

Professional · Honest · Human Oriented



Ø 133 AC FORWARD HOUSED DOUBLE INLET CENTRIFUGAL FAN

AC外转子带蜗壳双进风前倾离心风机



型号 Model	电压 Voltage	频率 Frequency	电容器 Capacitor	曲线编号 Curve	输入功率 Power	转速 RPM	电流 Current	静压 Psf	环境温度 Temp.	噪声 Noise	净重 N. W.
	V	Hz	μF/450V	NO.	W	r/min	A	pa	°C	dB/ (A)	kg
YDWF68L35P4-GD133*190	1~230	50	3	A	90	1333	0.41	0	-30~+60	61	3.8
	1~230	60	3	B	118	1446	0.54	0	-30~+60	63	3.8

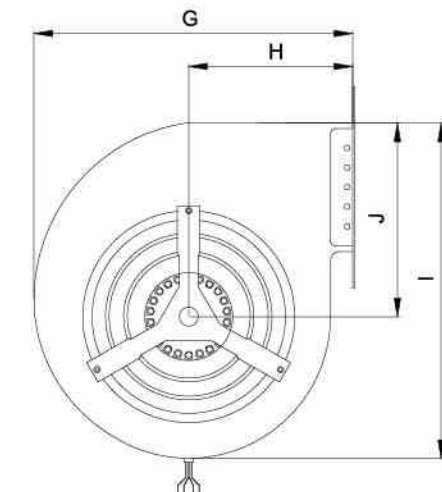
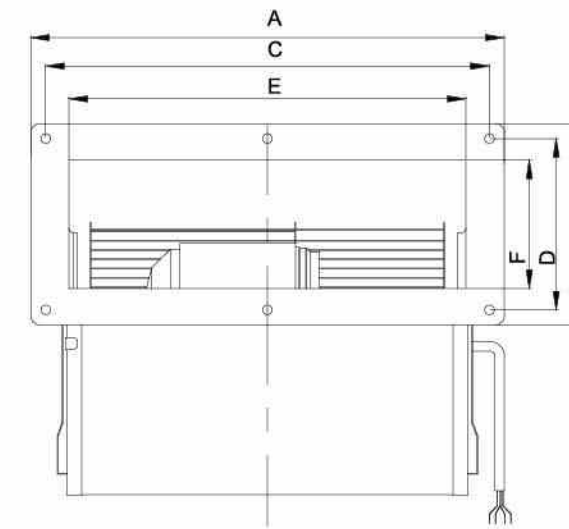
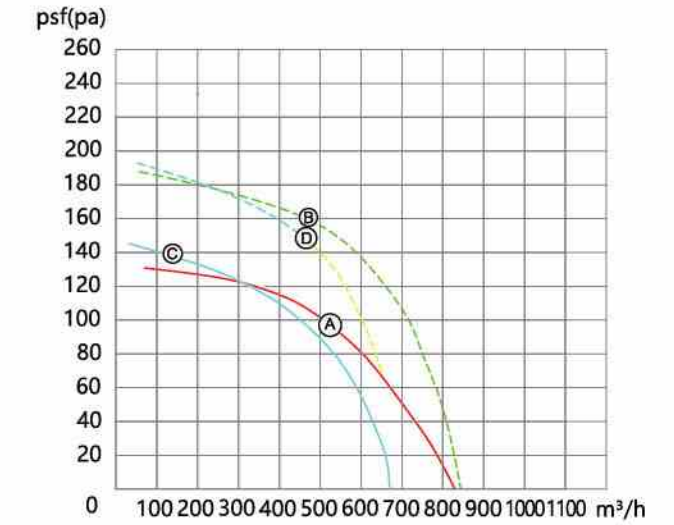
MaEr Fan Motor

Professional · Honest · Human Oriented



Ø 146 AC FORWARD HOUSED DOUBLE INLET CENTRIFUGAL FAN

AC外转子带蜗壳双进风前倾离心风机



型号	A	B	C	D	E	F	G	H	I	J
YDWF68L40P4-GD146*190	310	141	290	122	231	98	205	97	214	118
YDWF68L35P4-GD146*150	220	103	206	65	190	98	206	99	218	112

型号 Model	电压 Voltage	频率 Frequency	电容器 Capacitor	曲线编号 Curve	输入功率 Power	转速 RPM	电流 Current	静压 Psf	环境温度 Temp.	噪声 Noise	净重 N. W.
	V	Hz	μF/450V	NO.	W	r/min	A	pa	°C	dB/ (A)	kg
YDWF68L40P4-GD146*190	1~230	50	3	A	126	1321	0.62	0	-30~+60	62	4.63
	1~230	60	3	B	156	1493	0.71	0	-30~+60	64	4.63
YDWF68L35P4-GD146*150	1~220	50	4	C	101	1282	0.44	0	-30~+60	60	3.85
	1~220	60	5	D	110	1465	0.51	70	-30~+60	62	3.85